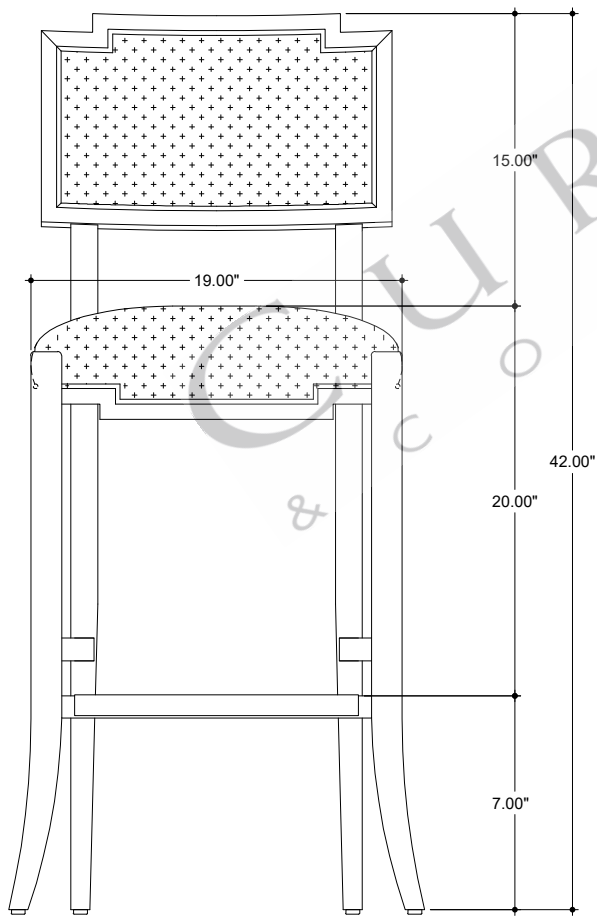
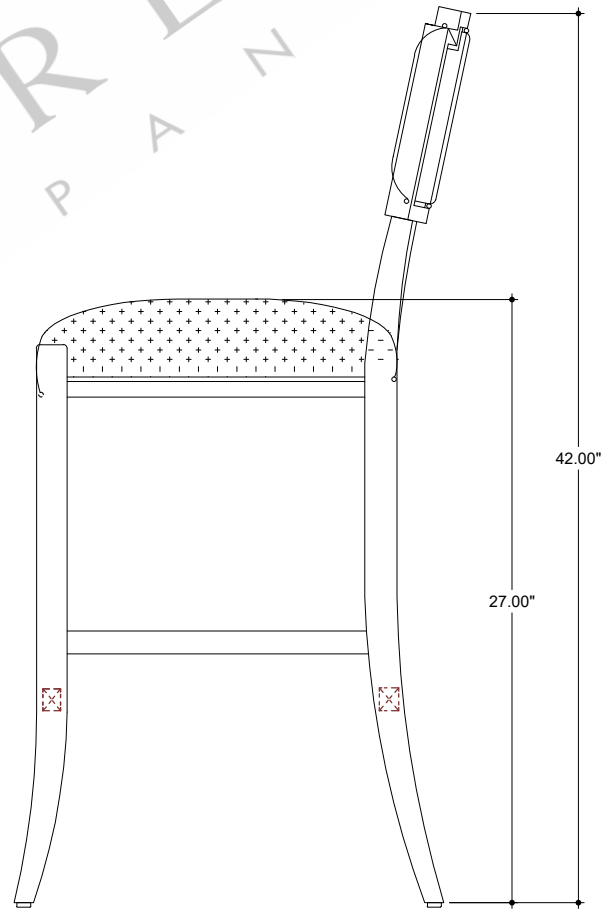


TOP VIEW



FRONT VIEW



SIDE VIEW

CURREY  
 COMPANY