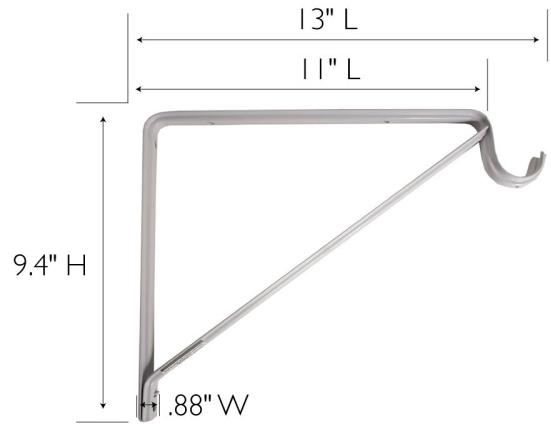


Shelf Rod Bracket, 3-Pack  
White



**SPECIFICATIONS**

<b>MATERIAL CONSTRUCTION:</b>	Steel
<b>MOUNTING HARDWARE INCLUDED:</b>	Yes
<b>TOOLS NEEDED FOR INSTALLATION:</b>	Screwdriver
<b>ASSEMBLED DIMENSIONS:</b>	9.4" H x 13" L x .88" W
<b>ASSEMBLED WEIGHT:</b>	2.12 lbs.

<b>WARRANTY:</b>	1-Year limited warranty
<b>LEGAL FOR SALE IN CALIFORNIA:</b>	Yes



TYPE:  
JOB:  
ORDER CODE:  
APPROVALS: