



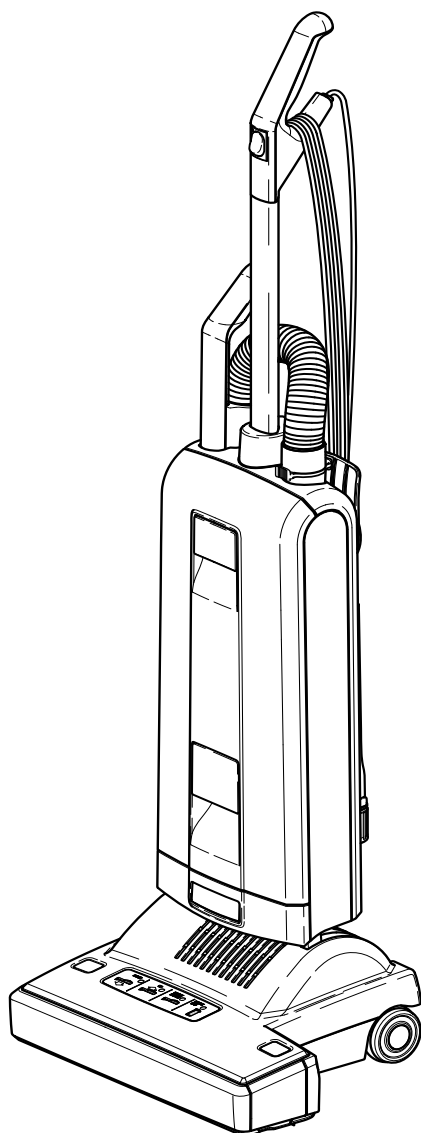
by HILLYARD

**Vacuum**

**HIL 560xx**

**Operating instructions (ENG)**

**MODEL: 1.012-629.0  
V15XP**



From Serial No. # G568001001  
If Serial Number not listed,  
Contact Manufacturer



8.644-074.0-2 10/09/19

**Machine Data Label**

---

Model: \_\_\_\_\_

Date of Purchase: \_\_\_\_\_

Serial Number: \_\_\_\_\_

Dealer: \_\_\_\_\_

Address: \_\_\_\_\_

Phone Number: \_\_\_\_\_

Sales Representative: \_\_\_\_\_

**Warranty Registration**

Thank you for purchasing a HILLYARD product.

Please register your machine for warranty through your Authorized Trident Dealer.

Machine Data Label . . . . . 2  
Table of Contents . . . . . 3  
How To Use This Manual . . . . . 4

**Safety**

IMPORTANT SAFETY INSTRUCTIONS . . . . . 5  
Grounding Instructions . . . . . 6  
IMPORTANT SAFEGUARDS . . . . . 7

**Operations**

Components . . . . . 8  
Preparation . . . . . 8  
Functions of the display: . . . . . 9

**Maintenance**

Removal of the Exhaust Filter . . . . . 10  
Fitting a New Exhaust Filter . . . . . 10  
Brush Roller . . . . . 11  
Removing Blockages . . . . . 11  
Technical Details . . . . . 13

**Parts**

Filter Bag Housing . . . . . 16  
Power Head - V15XP . . . . . 18  
Power Head - V15XP Continued . . . . . 20  
Wiring Diagram . . . . . 21

## How To Use This Manual

This manual contains the following sections:

- How to Use This Manual
- Safety
- Operations
- Maintenance
- Parts List

The HOW TO USE THIS MANUAL section will tell you how to find important information for ordering correct repair parts.

Parts may be ordered from authorized dealers. When placing an order for parts, the machine model and machine serial number are important. Refer to the MACHINE DATA box which is filled out during the installation of your machine. The MACHINE DATA box is located on the inside of the front cover of this manual.

Model: \_\_\_\_\_  
Date of Purchase: \_\_\_\_\_  
Serial Number: \_\_\_\_\_  
Dealer: \_\_\_\_\_  
Address: \_\_\_\_\_  
Phone Number: \_\_\_\_\_  
Sales Representative: \_\_\_\_\_

The model and serial number of your machine is located on the bottom-back of the machine.

The SAFETY section contains important information regarding hazardous or unsafe practices of the machine. Levels of hazards are identified that could result in product damage, personal injury, or severe injury resulting in death.

The OPERATIONS section is to familiarize the operator with the operation and function of the machine.

The MAINTENANCE section contains preventive maintenance to keep the machine and its components in good working condition. They are listed in this general order:

- Dust Bag
- Filters
- Blockage
- Brush roller
- Troubleshooting

The PARTS LIST section contains assembled parts illustrations and corresponding parts list. The parts lists include a number of columns of information:

- **ITEM** – column refers to the reference number on the parts illustration.
- **PART NO.** – column lists the part number for the part.
- **REF NO.** – reference number.
- **DESCRIPTION** – column is a brief description of the part.
- **NOTES** – column for information not noted by the other columns.

*NOTE: If a service or option kit is installed on your machine, be sure to keep the KIT INSTRUCTIONS which came with the kit. It contains replacement parts numbers needed for ordering future parts.*

*NOTE: The manual part number is located on the lower right corner of the front cover.*



# IMPORTANT SAFETY INSTRUCTIONS

**When using this machine, basic precaution must always be followed, including the following:  
READ ALL INSTRUCTIONS BEFORE USING THIS MACHINE.**

## **⚠ WARNING:** To reduce the risk of fire, electric shock, or injury:

1. Do not leave appliance when plugged in. Unplug from outlet when not in use and before servicing.
2. Connect to a properly grounded outlet only. See Grounding Instructions.
3. Do not use outdoors or on wet surfaces.
4. Do not use near small children. Do not allow to be used as a toy. Close attention is necessary when used by or near children.
5. Use only as described in this manual. Use only manufacturer's recommended attachments.
6. Do not use with damaged cord or plug. If appliance is not working as it should, has been dropped, damaged, left outdoors, or dropped into water, return it to a service center.
7. Do not pull or carry by the cord, use cord as a handle, close a door on cord, or pull cord around sharp edges or corners. Do not run appliance over cord. Keep cord away from heated surfaces.
8. Do not unplug by pulling on cord. To unplug, grasp the plug, not the cord.
9. Do not handle plug or appliance with wet hands.
10. Do not put any object into openings. Do not use with any opening blocked; keep free of dust, lint, hair, and anything that may reduce air flow.
11. Keep hair, loose clothing, fingers and all parts of body away from openings and moving parts. Do not place fingers or other body parts under vacuum unless unplugged.
12. Do not pick up anything that is burning or smoking, such as cigarettes, matches, or hot ashes.
13. Do not use without dust bag and/or filters in place. Do not wash filters.
14. Turn off all controls before unplugging.
15. Use extra care when cleaning on stairs.
16. Do not use to pick up flammable or combustible liquids such as gasoline or use in areas where they may have been present.
17. Do not operate this machine near flammable fluids, dust or vapors.
18. Maintenance and repairs must be done by qualified personnel.
19. Use only identical replacement parts. See instructions for Servicing of Appliances.
20. Do not use machine as a step.
21. If used on plush carpet or carpet with thick padding, do not leave machine in one place with machine turned on.
22. Do not use the handle in the dust bag housing to carry the machine.
23. Always turn off this appliance before connecting or disconnecting motorized nozzle.
24. Brush may unexpectedly restart. To reduce the risk of injury from moving parts. – Unplug before servicing.
25. The vacuum has a manual reset thermal protector. The protector is reset by switching off the vacuum. The thermal protector needs some time to cool down after switching off! Check the vacuum for air blockages or mechanical failures before switching on.
26. Store the vacuum in a dry place at room temperature. When the vacuum is not in use, you should wrap the cord on the cable hooks.
27. Any other servicing should be performed by an authorized service representative.
28. Make sure your extension cord is in good condition and is the correct size for your appliance. The table on the Grounding Instructions page shows the correct size to use depending on cord length and nameplate ampere rating. If in doubt, use the next heavier gauge. The smaller the gauge number, the heavier the cord. An undersized extension cord will cause a drop in line voltage resulting in loss of power and overheating.
29. Use only three-wire outdoor extension cords that have three-prong grounding plugs and grounding receptacles that accept the appliance's plug.
30. To reduce the risk of personal injury due to a loose electrical connection between the appliance's plug and extension cord, firmly and fully attach the appliance plug to the extension cord. Periodically check the connection while operating to ensure it is fully attached. Do not use an extension cord that provides a loose connection. A loose connection may result in overheating, fire, and increases the risk of a burning.
31. To reduce the risk of disconnection of the appliance cord from the extension cord during operating, make a knot as shown under Grounding Instructions.
32. Maintain Appliance With Care - Inspect extension cords periodically and replace if damaged.

## READ AND SAVE THESE INSTRUCTIONS

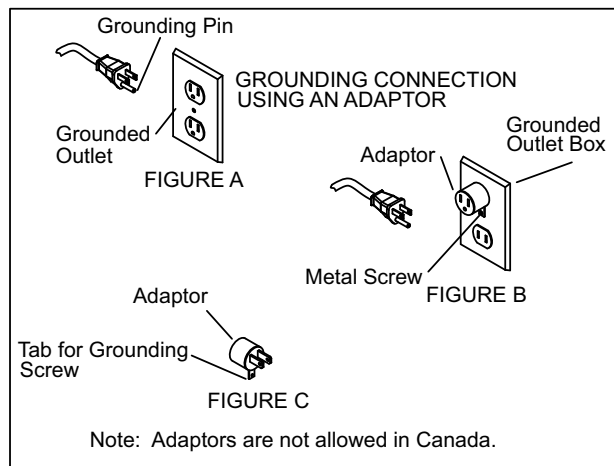
**Grounding Instructions**

This appliance must be grounded. If it should malfunction or breakdown, grounding provides a path of least resistance for electric current to reduce the risk of electric shock. This appliance is equipped with a cord having an equipment-grounding conductor and grounding plug. The plug must be inserted into an appropriate outlet that is properly installed and grounded in accordance with all local codes and ordinances.

**⚠️ WARNING:**

**Improper connection of the equipment-grounding conductor can result in a risk of electric shock. Check with a qualified electrician or service person if you are in doubt as to whether the outlet is properly grounded. Do not modify the plug provided with the appliance - if it will not fit the outlet, have a proper outlet installed by a qualified electrician.**

This appliance is for use on a nominal 120-volt circuit, and has a grounded plug that looks like the plug illustrated in sketch A. A temporary adapter looks like adapter illustrated in sketches B and C, may be used it connect this plug to a 2-pole receptacle as shown in sketch B if a properly grounded outlet is not available. The temporary adapter should be used only until a properly grounded outlet (sketch A) can be installed by a qualified electrician. The green colored rigid ear, lug or the like extending from the adapter must be connected to a permanent ground such as a properly grounded outlet box cover. Whenever the adapter is used, it must be held in place by a metal screw.



*NOTE: In Canada, the use of a temporary adapter is not permitted by the Canadian Electrical Code.*

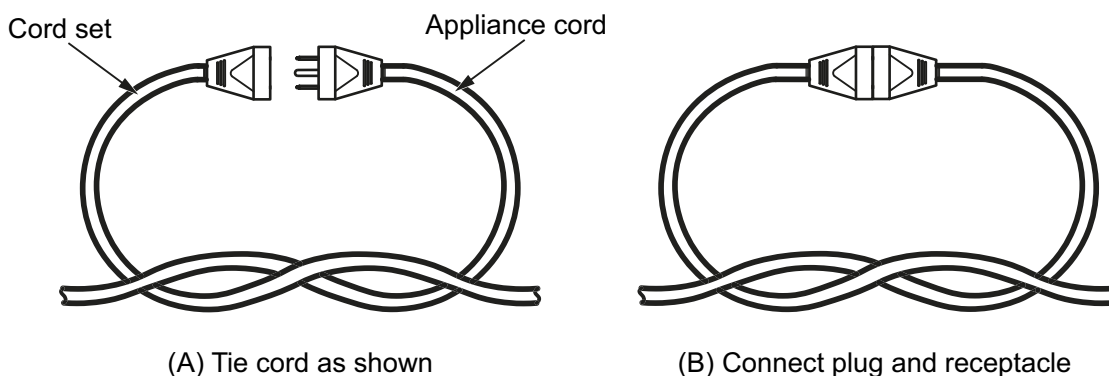
**Electrical**

In the USA this machine operates on a standard 15 amp 115 volt A.C. power circuit. The amp, hertz, and voltage are listed on the data label found on each machine. Using voltages above or below those indicated on the data label will cause serious damage to the motors

**Extension Cords**

If an extension cord is used, the wire size must be according to the table, and must be limited to 50 feet (15.5m) in length.

Figure 1: Method of securing the appliance cord to the extension cord set



Extension cords ratings and measures					
Ampere rating		Volts	Total length of cord		
More than A	Not More than A		7.62m (25ft)	15,24m (60ft)	30,48m (100ft)
			mm <sup>2</sup> (AWG)		
10	12	120 V	0.83 (18)	1.3 (16)	2.1 (14)

## IMPORTANT SAFEGUARDS

Accidents due to misuse can only be prevented by those using the machine. To guard against injury, basic safety precautions should be observed, including the following:

Read and follow all safety instructions.

**⚠ WARNING:** Electric shock could occur if used outdoors or on wet surfaces.

The vacuum cleaner is designed to be safe when used to perform cleaning functions. Should damage occur to electrical or mechanical parts, cleaner should be repaired by a competent service center before using in order to avoid further damage to machine or physical injury to user.

A damaged power cord could cause electrical shock and/or fire. To minimize this possibility observe the following precautions:

- ◆ Do not run cleaner over power cord.
- ◆ Avoid closing doors on power cord pulling it around sharp edges, or placing sharp-edged objects upon it.
- ◆ Wind cord no tighter than is necessary to retain it on the cord hooks.
- ◆ When disconnecting power cord from electrical outlet, grasp the plug. Pulling it out by the cord itself can damage cord insulation and internal connections to plug.

Your vacuum cleaner creates suction and contains a revolving brush. To avoid bodily injury from suction or moving parts, vacuum cleaner brush should not be placed against, or in close proximity of loose clothing, jewelry, hair or body surfaces while cleaner is connected to electrical outlet. Cleaner should not be used to vacuum clothing while it is being worn. Keep children away from machine when in operation or plugged in.

If used on plus carpet or carpet with thick padding, turn off unit when handle is in upright position. When using accessory tools, keep floor bush off carpet by keeping handle in locked position and lowering handle with on hand to raise bush off floor. Operate accessories with other hand.

Always plug your cleaner into a standard wall outlet. Use of extension cord or light socket with inadequate current-carry capacity could result in electric shock or fire hazard.

Disconnect cleaner from electrical outlet before servicing, such as changing bags or belts. You could receive bodily injury from moving parts of machine should switch accidentally turned on. Disconnect cleaner from electrical outlet before detaching power head.

Do not use your vacuum cleaner in areas where flammable and/or explosive vapor or dust is present to avoid possibility of fire or explosion. Some cleaning fluids can produce such vapors. Areas on which cleaning fluids have been used should be completely dry and thoroughly aired before being vacuumed.

To avoid fire hazard, do not pick up matches, fireplace ashes, or smoking material with cleaner.

Keep your work area well lighted to avoid picking up harmful materials (such as liquids, sharp objects, or burning substances) and avoid tripping accidents.

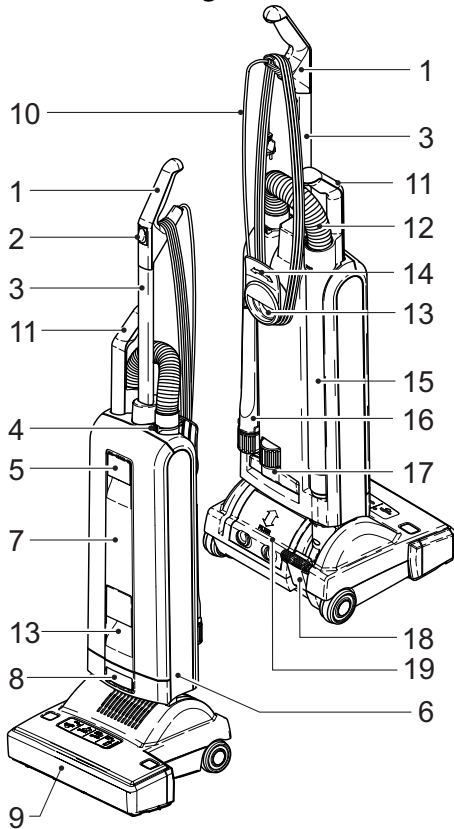
Use care when operating the cleaner on irregular surfaces such as stairs, as falling cleaner could cause bodily injury and/or mechanical damage. Proper storage of machine in an out-of-way area immediately after use will also prevent accidents caused by tripping over cleaner.

Store your vacuum indoors in a cool, dry area not exposed to the weather to avoid electrical shock and/or cleaner damage.

Exercise strict supervision to prevent injury when using vacuum cleaner near children or when child is allowed to operate vacuum cleaner. Do not allow children to play with vacuum cleaner and never leave cleaner plugged in and unattended.

## SAVE THESE INSTRUCTIONS

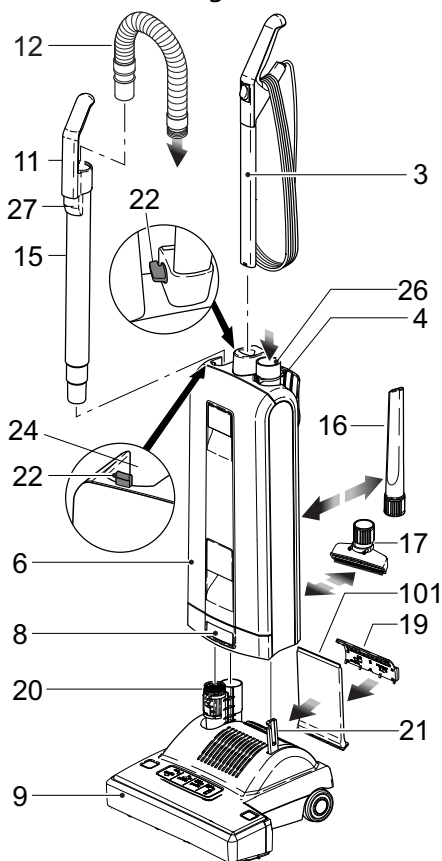
Picture 1 / Figura 1 / Foto 1



**Components**

1. Handle grip
2. On/Off switch
3. Handle assembly
4. Retaining ring
5. Cover release
6. Dust bag housing
7. Cover
8. Housing release
9. Brush/suction Head
10. Cable
11. Telescopic handle grip
12. Hose
13. Carrying handle
14. Cable hook
15. Attachment tube
16. Crevice nozzle
17. Upholstery nozzle
18. Foot pedal
19. Exhaust filter cover

Picture 2 / Figura 2 / Foto 2



**Preparation**

Place the brush/suction head on a flat surface with the neck (20) and the support lever (21) upright. Hold the dust bag housing vertically and place over neck and support lever. Push firmly down so that the housing release (8) snaps closed.

Lift the catch (22) then slot the handle assembly into the top of the dust bag housing (6) and push firmly down.

When the handle has been pushed down as far as it will go press catch (22) down. If the handle is not pushed fully down the machine will not work.

Insert attachment tube (15) into the channel at the back of the machine. Locate the handle grip (11) on the holder (24).

Push the black end of the hose into the connecting tube (26) so that it clicks into place.

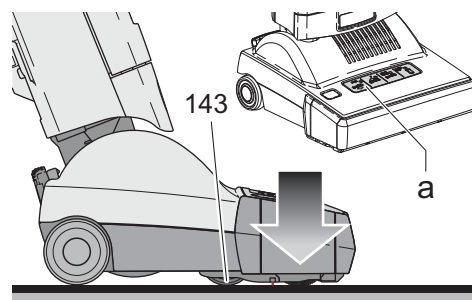
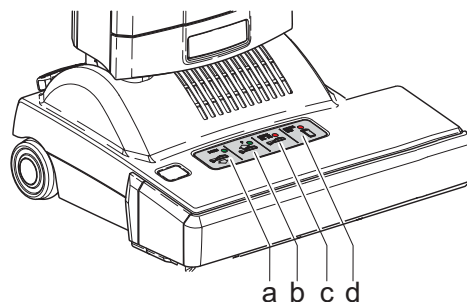
Insert crevice nozzle (16) and upholstery nozzle (17) into the recesses in the back of the machine.

The device is ready, you can switch on by pressing the switch (2)

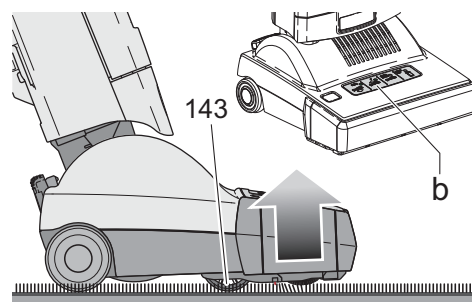
**Functions of the display:**

Green Light (A)	Brush Lowers
Green Light (B)	Brush Raises
Red Light (C)	Flashing and Motor Off Brush Jammed - Clear
Red Light (C)	Flashing and Motor On (when machine is upright position) - Take Care: Brush in contact with carpet
Red Light (D)	Continuous - Change paper bag or clear blockage
Red Light (D)	Flashing - Motor switched off due to full paper bag or blockage

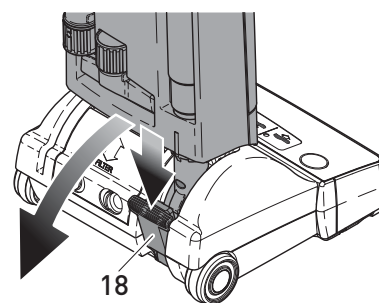
On hard floors the adjustment wheel (143), moves upwards into the machine so that the brush becomes flush with the floor. Therefore, the V15XP Series can also be used to vacuum hard floors.



On carpeted floors the adjustment wheel (143) moves downwards out of the machine so that the brush rises. The adjustment wheel (143) rises and lowers to adjust the brush to the optimal setting. This combines effective, gentle brushing with a smooth easy action.



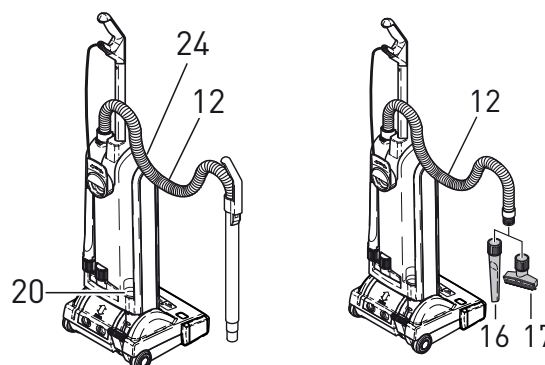
When the machine is switched on in the upright position the brush automatically rises from the carpet. To release the machine from the upright position, press down the foot pedal (18). The brush will automatically lower.



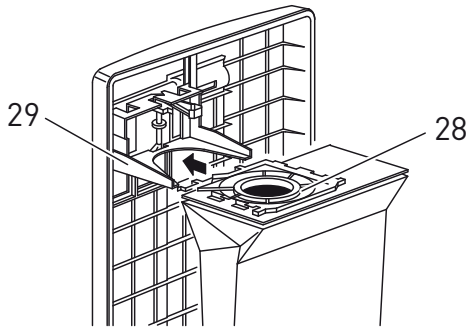
To vacuum in corners etc., take hold of the telescopic handle grip, lift it away from the machine and stretch out the hose. After use insert the telescopic attachment tube into the back of the machine. Raise the handle of the machine and the hose will automatically retract. To use the hose without the tube as shown in the right hand picture, the hose will pull out of the tube while the tube is fitted to the machine. Alternatively, press the release catch (27) on picture 2.

**Never run over the cable with the brush/ suction head.**

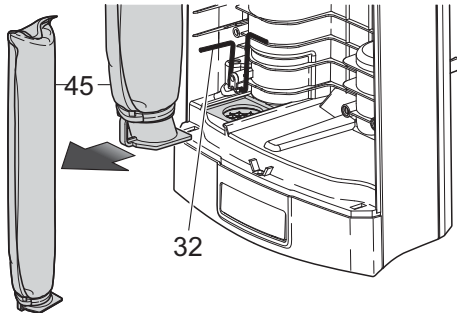
**Always carry the machine over steps and sills.**



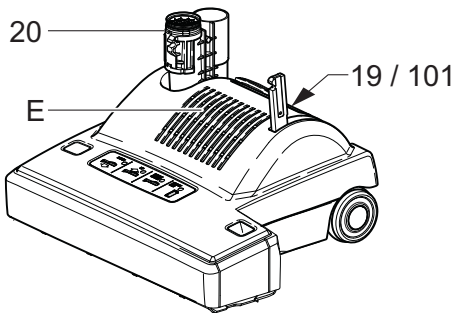
**CAUTION - Always unplug machine at mains outlet before dismantling any part of machine.**



If red light (d) shows, change paper filter bag. To do this first pull cover release (5) picture 1 forward and lift the cover from the dust bag housing. Slide the dust bag sealing plate (28) from the holder (29). Slide the sealing plate (28) of a new bag into the holder and push firmly in. Insert cover into dust bag housing, push it forward then lock it in place by pushing down the cover release (5).



The micro hygiene filter (45) needs to be changed when it becomes clogged with dust or after approximately 20 paper bags have been used. To change the hygiene filter first remove the cover then slide the filter out at the bottom. To replace, lift the lever (32) and slide the new filter in.



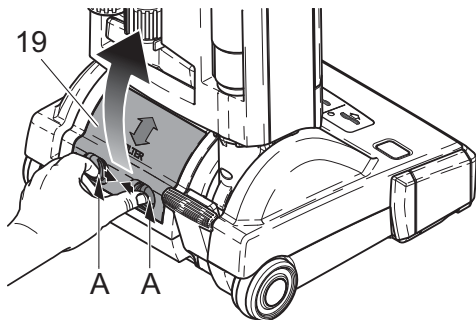
We recommend changing the exhaust filter (101) at the same time as the micro-hygiene filter (45). The exhaust filter is located underneath the cover (19) on the back of the power head.

### Removal of the Exhaust Filter

Disconnect machine from the mains

Move the dustbag housing into the upright position and make sure that it is locked.

Remove the exhaust filter cover (19) by pressing the two recessed grips (A) to the middle and lifting it upwards.



The exhaust filter (101) is locked to the machine with an additional catch (B). Lift the catch slightly and pull the filter out of the housing.

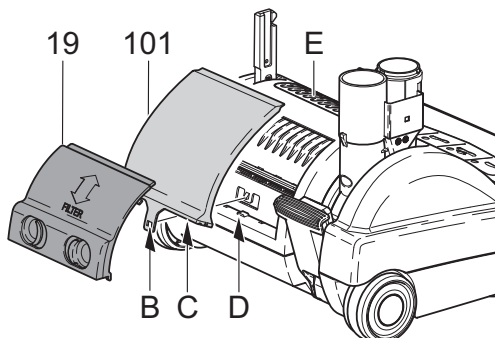
### Fitting a New Exhaust Filter

Slide the filters closed end first into the machine.

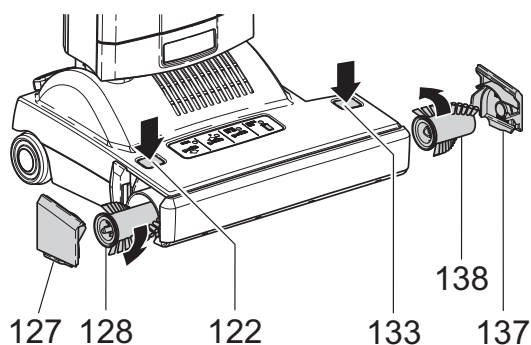
Fit filter end (C) to the air channel (D) and lock the catch (B).

The correct positioning of the filter can be checked through the slots (E) on the front of the power head. Please ensure it is smooth and flat

Finally replace the exhaust filter cover (19). Fit it to the top of the opening in the power head housing and move it downwards until an audible click occurs.



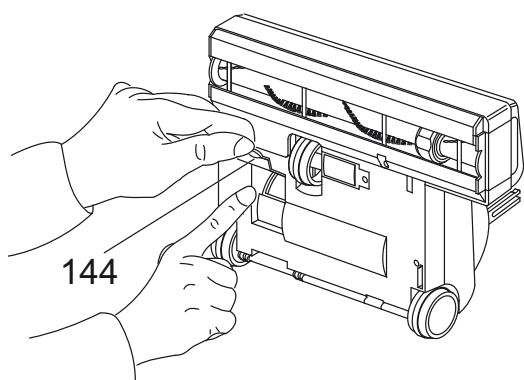
**The filters must not be washed.**



## Brush Roller

The brush roller in XP 15 and XP 18 machines consists of two parts (128, 138). The push buttons (122, 133) release the two side plates (127, 137). Turn the brushes (128 clockwise, 138 counterclockwise) and pull them out. To replace, slide the two brush roller parts into the brush housing and turn them until they locate into position. Push the respective button (122, 133) and press the side plates back into place.

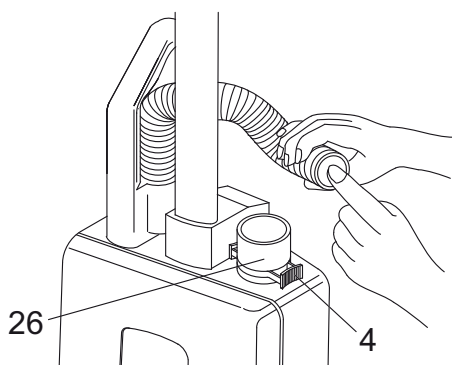
We recommend vacuuming out the brush roller ends periodically to prevent a build up of dust or fibre. When cleaning hair, etc., from the brush roller, do not cut into the bristles.



## Removing Blockages

Underneath the machine is an inspection door to check for blockages (144).

Blockages in the neck (20 - picture 2) can be checked by first lifting off the dust bag housing by pressing the catch (8). Then release the foot pedal, lower the neck and check into the tube next to the pedal.



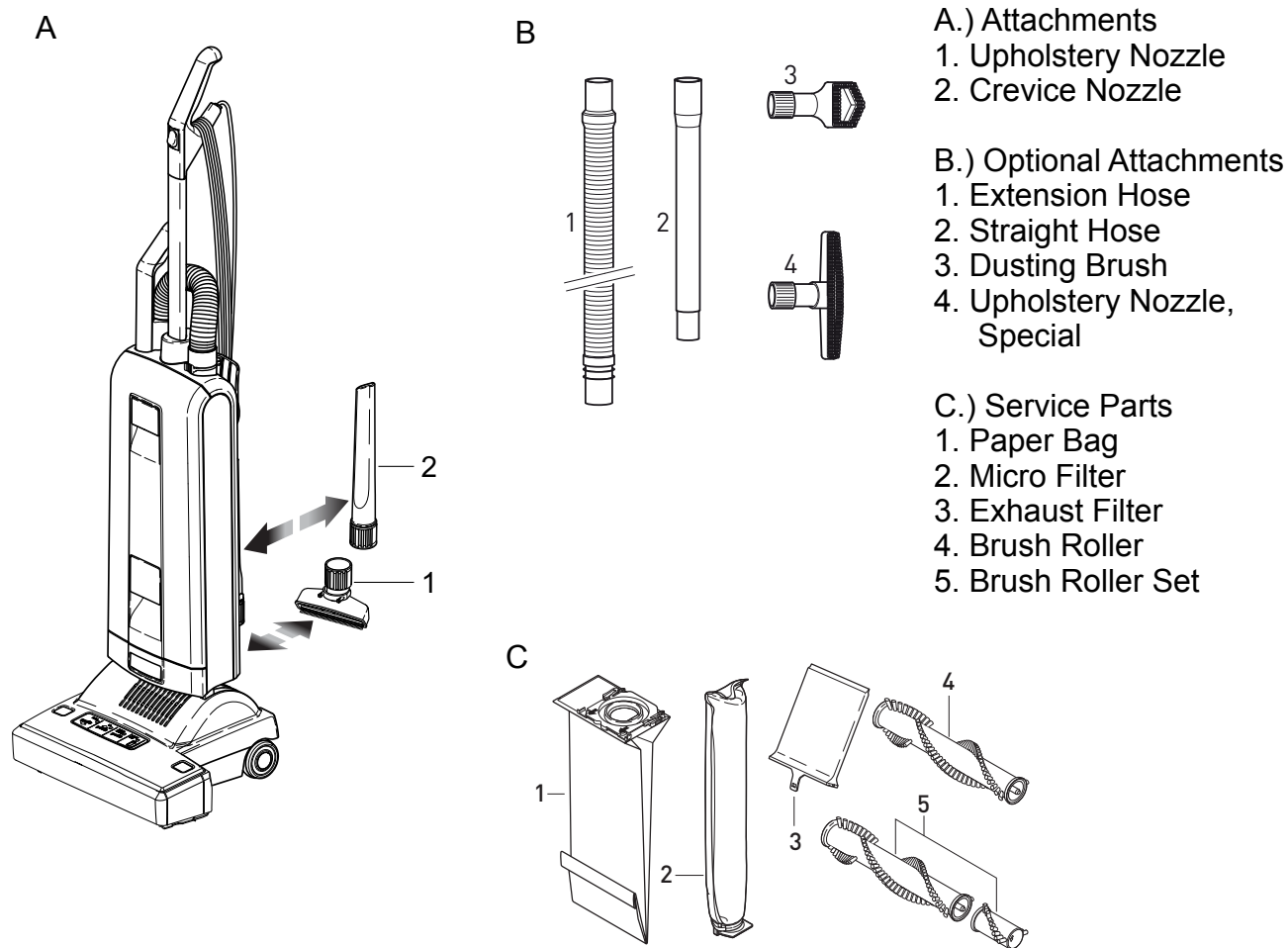
Blockages in the hose can be cleared by taking the hose off the machine and replacing it the wrong way round in the connecting tube (26), holding it upright with one hand blocking the top and switching on the machine.

(If necessary quickly lift your hand on and off the end of the hose).

**The guarantee is invalidated if parts not approved by manufacturer are fitted, eg. bags, filters, brush roller, etc.**



## Maintenance



**⚠ WARNING:** To reduce risk of electric shock unplug before cleaning or servicing.



**Technical Details**

Vacuum Motor	1200 Watt
Water Lift	2300 mm (90")
Air Flow	50 l/s
Dust Bag Capacity	5.3 liters
Working Width	378 mm (15")
Brush Drive	Tooth Belt
Brush Speed	2700 rpm
Floor Adjustment	Automatically Sensor Advised
Cable	12.2 m (40")
Weight	V15XP 7.7kg (16.9 lbs)
Ratio Suppression	EN 55014 Verf 242./91





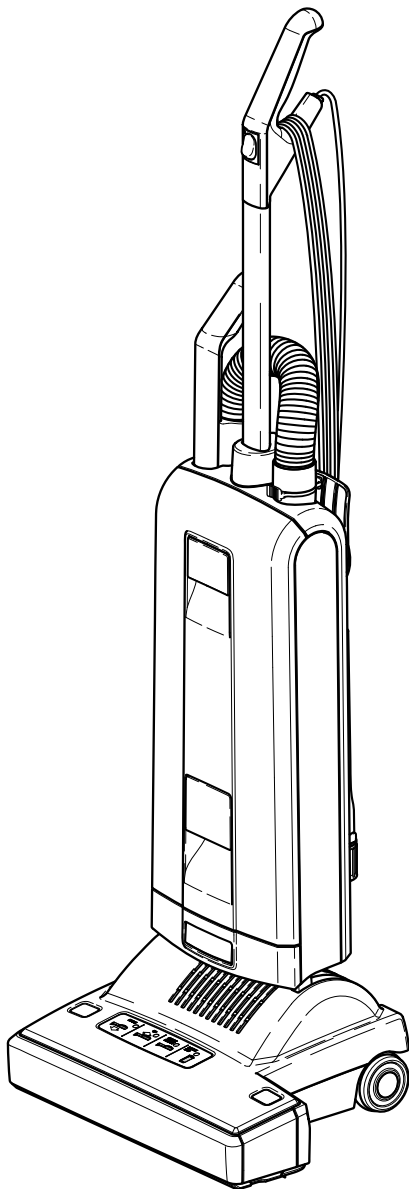
by HILLYARD

**La Aspiradora**

**HIL 560xx**

**Instrucciones de funcionamiento (SPA)**

**MODELO: 1.012-629.0  
V15XP**



From Serial No. # G568001001  
If Serial Number not listed,  
Contact Manufacturer



8.644-074.0-A 10/02/19

## **Etiqueta de Datos de la Máquina**

---

Modelo:	_____
Fecha de la compra:	_____
Número de serie:	_____
Distribuidor:	_____
Dirección:	_____
Nº de teléfono:	_____
Representante de ventas:	_____

### **Registro de garantía**

Gracias por comprar un producto HILLYARD.  
Por favor registre su máquina para la garantía a través de su distribuidor autorizado Trident.

**Etiqueta de Datos de la Máquina** ..... 2  
**Índice** ..... 3  
**Cómo utilizar el manual** ..... 4

**Seguridad**

INSTRUCCIONES DE SEGURIDAD  
  **IMPORTANTES** ..... 5  
Instrucciones Para Conectar El Equipo A Tierra . 6  
**IMPORTANTES PRECAUCIONES** ..... 7

**Operación**

Componentes ..... 8  
Preparación. .... 8  
Funciones de Despliegue: ..... 9

**Mantenimiento**

Extracción del Filtro del Escape ..... 10  
Colocación de un Nuevo Filtro del Escape . . . . 10  
Rodillo Cepillador ..... 11  
Eliminar El Bloqueo. .... 11  
Datos Technico. .... 13

## Cómo utilizar el manual

El manual contiene las siguientes secciones:

- Cómo utilizar el manual
- Seguridad
- Operaciones
- Mantenimiento
- Lista de piezas

La sección CÓMO UTILIZAR EL MANUAL le indica el modo de encontrar información importante para pedir las piezas de recambio correctas.

Las piezas deben ser solicitadas a distribuidores autorizados. Al realizar el pedido de piezas, es importante saber el modelo y el número de serie de la máquina. Consulte el cuadro DATOS DE LA MÁQUINA que se completa durante la instalación de la máquina. El cuadro DATOS DE LA MÁQUINA está situado en la parte interior de la cubierta frontal de este manual.

Modelo: _____
Fecha de la compra: _____
Número de serie: _____
Distribuidor: _____
Dirección: _____
Nº de teléfono: _____
Representante de ventas: _____

El modelo y número de serie de su máquina están situados en el extremo inferior de la parte posterior de la máquina.

La sección SEGURIDAD contiene información importante acerca de los usos de la máquina que pueden resultar peligrosos o poco seguros. Se identifican niveles de riesgos que pueden ocasionar lesiones personales o daños en el producto, o lesiones graves que pueden provocar la muerte.

El objetivo de la sección FUNCIONAMIENTO es familiarizar al operario con el manejo y el funcionamiento de la máquina.

La sección MANTENIMIENTO incluye instrucciones sobre mantenimiento preventivo para mantener la máquina y sus componentes en buenas condiciones de funcionamiento. Están clasificadas en el siguiente orden general:

- Bolsa de polvo
- Filtros
- Bloqueo
- Rodillo Cepillador
- Resolución de problemas

La sección LISTA DE PIEZAS contiene ilustraciones de las piezas ensambladas y la correspondiente lista de piezas. Incluye además varias columnas con información:

- **ITEM** - la columna indica el número de referencia en la ilustración de las piezas.
- **PART NO.** - la columna enumera el número de pieza.
- **REF NO.** - N.º de referencia
- **DESCRIPTION** - la columna es una breve descripción de la pieza.
- **NOTES**- esta columna contiene la información no incluida en las otras columnas.

*NOTA: Si en la máquina se incluye un juego de servicio u opciones, asegúrese de conservar las INSTRUCCIONES DEL JUEGO que acompañan al mismo. Éste contiene los números de piezas de recambio necesarias para solicitar piezas en el futuro.*

*NOTA: El número de pieza correspondiente al manual está ubicado en la esquina inferior derecho de la tapa.*

# INSTRUCCIONES DE SEGURIDAD IMPORTANTES

**Cuando se utilice la máquina, siempre se deben adoptar precauciones básicas, entre las que se incluye:**

**LEA TODAS LAS INSTRUCCIONES ANTES DE UTILIZAR LA MÁQUINA.**

**⚠ ADVERTENCIA:** Para reducir el riesgo de incendio, descargas eléctricas y lesiones:

1. No deje la máquina enchufada. Debe desenchufarla cuando no se encuentra en uso y antes de repararla.
2. Conecte únicamente a una toma conectada adecuadamente a tierra. Consulte las instrucciones de conexión a tierra.
3. No la utilice en el exterior o en superficies mojadas.
4. No la utilice cerca de niños pequeños. No permita que se la emplee como juguete. Preste mucha atención cuando sea utilizada por niños o cerca de ellos.
5. Utilícela sólo del modo descrito en este manual. Utilice solamente los accesorios recomendados por el fabricante.
6. No la utilice si el cable o el enchufe están dañados. Si la máquina no funciona adecuadamente, se ha caído, ha sufrido daños, fue olvidada en el exterior, o ha caído al agua, llévela a un servicio técnico.
7. No empuje ni traslade la máquina usando el cable, no utilice el cable como manija, no enganche el cable con las puertas ni lo enrosque alrededor de bordes o ángulos filosos. No haga funcionar la máquina sobre el cable. Mantenga el cable alejado de las superficies calientes.
8. No desenchufe la máquina tirando del cable. Para desenchufarla, tire del enchufe, no del cable.
9. No manipule el enchufe ni la máquina con las manos húmedas.
10. No coloque objetos en las aberturas. No utilice la máquina si alguna de las aberturas está bloqueada, manténgala libre de polvo, pelusas, cabellos y de todos los objetos que pueden reducir el caudal de aire.
11. Mantenga el cabello, la ropa holgada, los dedos y todas las partes del cuerpo alejadas de las aberturas y las piezas móviles. No coloque los dedos ni otras partes del cuerpo debajo de la aspiradora a menos que se encuentre desenchufada.
12. No aspire objetos que estén ardiendo o humeando, como cigarrillos, cerillas o cenizas calientes.
13. No utilice la máquina si la bolsa o los filtros no están en su lugar. No lave los filtros.
14. Desconecte todos los controles antes de desenchufar la máquina.
15. Sea extremadamente precavido al limpiar escaleras.
16. No utilice la máquina para aspirar líquidos inflamables o combustibles tales como gasolina ni la utilice en superficies en donde haya habido dichos líquidos.
17. No maneje la máquina cerca de fluidos, polvo o vapores inflamables.
18. Personal debidamente capacitado debe realizar el mantenimiento y las reparaciones.
19. Utilice únicamente piezas de reemplazo idénticas. Consulte las instrucciones para realizar el mantenimiento de los aparatos.
20. No utilice la máquina como escalera.
21. Si se la utiliza sobre alfombras afelpadas o alfombras gruesas de fieltro no deje la máquina encendida en un solo lugar.
22. No use la manija en el alojamiento de la bolsa de polvo para empujar la máquina.
23. Apague siempre este utensilio antes de conectar o desconectar la boquilla motorizada.
24. El cepillo puede prenderse inesperadamente. Para reducir el riesgo de una lesión a causa de las partes móviles –Desconectese antes de repararse.
25. La aspiradora posee un protector térmico de reposición manual. El protector se repone apagando la aspiradora. Éste necesita algún tiempo para enfriarse ¡después del apagado! Revise si la aspiradora tiene alguna falla mecánica u obstrucción antes de encenderla.
26. Guarde la aspiradora en un lugar seco a temperatura ambiente. Cuando la aspiradora no se esté usando, enrollé el cordón en los ganchos para el cable.
27. Cualquier otro servicio debe realizarlo un representante del servicio autorizado.
28. Asegúrese que su cable de extensión esté en buenas condiciones y sea del tamaño correcto para su aparato. La tabla en la página de Instrucciones de puesta a tierra muestra el tamaño correcto a usar dependiendo de la longitud del cable y la clasificación de amperios de la placa de identificación. Si tiene dudas, use el siguiente calibre más pesado. Mientras más bajo sea el número del calibre, más pesado será el cable. Un cable de extensión de tamaño menor causará una caída en el voltaje de línea, ocasionando una pérdida de energía y sobrecalentamiento.
29. Use solamente cables de extensión para exteriores de tres hilos que tengan enchufes de conexión a tierra de tres clavijas y receptáculos de conexión a tierra que acepten el enchufe del aparato.
30. Para reducir el riesgo de lesiones personales debido a una conexión eléctrica suelta entre el enchufe del aparato y el cable de extensión, conecte firme y completamente el enchufe al cable de extensión. Revise periódicamente la conexión durante la operación para asegurarse de que esté conectado completamente. No use un cable de extensión que proporcione una conexión suelta. Una conexión suelta puede ocasionar sobrecalentamiento, incendio, e incrementa el riesgo de una quemadura.
31. Para reducir el riesgo de desconexión del cable del aparato del cable de extensión durante la operación, haga un nudo como se muestra en las Instrucciones de puesta a tierra.
32. Mantenga el aparato con cuidado - Revise los cables de extensión periódicamente y reemplace si están dañados.

**LEA Y GUARDE ESTAS INSTRUCCIONES**

**Instrucciones Para Conectar El Equipo A Tierra**

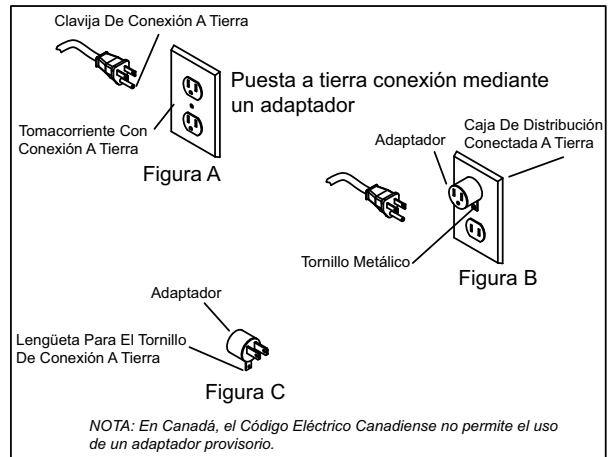
Este aparato debe estar conectado a tierra. En caso de un mal funcionamiento o una avería, la conexión a tierra brinda la posibilidad de una resistencia menor a la corriente eléctrica para reducir el riesgo de descarga eléctrica. Este aparato está equipado con un código que tiene un conductor y un enchufe para la conexión a tierra del equipo. El enchufe se debe insertar en un tomacorriente adecuado debidamente instalado y conectado a tierra de acuerdo con todos los códigos y ordenanzas locales.

**⚠ ADVERTENCIA:**

**La conexión inadecuada del conductor con conexión a tierra del equipo conlleva el riesgo de descarga eléctrica. Si tiene alguna duda acerca de la debida conexión a tierra del tomacorriente consulte con un electricista o técnico calificado. No modifique el enchufe provisto con el aparato, si no cabe en el tomacorriente, indíquelo a un electricista calificado que le instale un tomacorriente adecuado.**

Este aparato se utiliza en un circuito de 120 volts nominal y posee un enchufe con conexión a tierra parecido al ilustrado en el boceto A. Se puede usar un adaptador temporario similar al adaptador ilustrado en los bocetos B y C para conectar este enchufe a un receptáculo de 2 polos como se muestra en el boceto B en caso de que no haya disponible un enchufe con conexión a tierra. El adaptador provisorio sólo se debe usar hasta que un electricista calificado instale un tomacorriente conectado a tierra (boceto A). La espiga rígida verde, la argolla o pieza similar que se extiende desde el adaptador debe conectarse a una conexión a tierra permanente como una tapa de la caja de distribución adecuadamente conectada a tierra. Cuando se usa el adaptador, se lo debe sujetar en su sitio mediante un tornillo metálico.

Nota: En Canadá, el Código Eléctrico Canadiense no permite el uso de un adaptador provisorio..



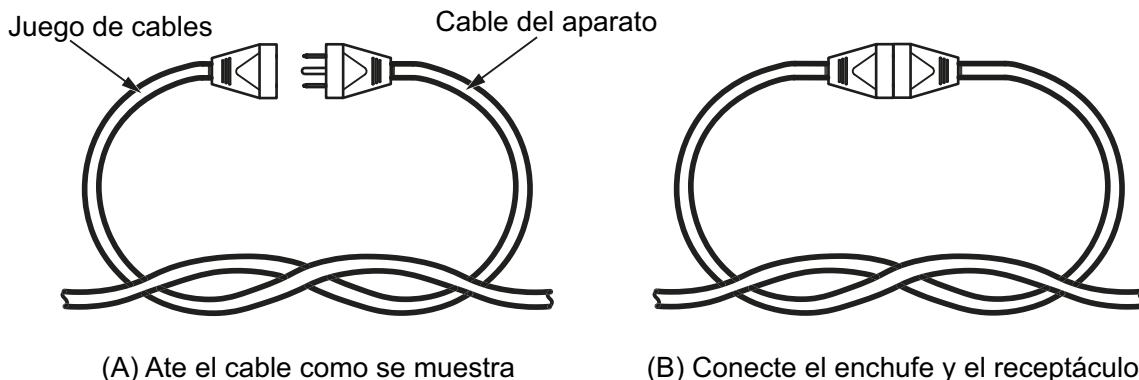
**Eléctrica**

En Estados Unidos, esta máquina funciona con un circuito eléctrico estándar de 115 voltios CA de 15 amperios. El amperaje, los hercios y el voltaje se mencionan en la etiqueta de datos de cada máquina. Si se utilizan voltajes superiores o inferiores a los indicados en la etiqueta de datos, los motores sufrirán daños graves

**Cables de extensión**

Si se usa un cable de extensión, el tamaño del cable debe ser el indicado en la tabla, y se debe limitar a 50 pies (15.5 m) de longitud.

Figura 1: método de sujeción del cable del aparato al Juego de cables de extensión



Extension cords ratings and measures					
Ampere rating		Volts	Total length of cord		
			7.62m (25ft)	15,24m (60ft)	30,48m (100ft)
More than A	Not More than A		mm <sup>2</sup> (AWG)		
10	12	120 V	0.83 (18)	1.3 (16)	2.1 (14)



## IMPORTANTES PRECAUCIONES

Los accidentes causados por el uso incorrecto del aparato sólo pueden ser prevenidos por las personas que utilizan la máquina. Para protegerse de posibles lesiones, se deben cumplir medidas de seguridad básicas entre las que se incluyen:

Lea y siga todas las instrucciones de seguridad.

**⚠ ADVERTENCIA:** Si se usa en el exterior o en superficies húmedas puede causar una descarga eléctrica.

El diseño de la aspiradora es seguro cuando el aparato se usa para efectuar funciones de limpieza. Si las partes mecánicas o eléctricas sufrieran algún daño, la aspiradora debe ser reparada por un centro de servicio técnico competente antes de volverla a usar a fin de evitar daños adicionales a la máquina o lesiones físicas al usuario.

Un cable eléctrico deteriorado puede provocar una descarga eléctrica y/o un incendio. Para disminuir esta posibilidad adopte las siguientes precauciones:

- ♦ No pase la aspiradora sobre conductores eléctricos.
- ♦ Evite enganchar el cable eléctrico con las puertas ni lo enrosque alrededor de bordes filosos o coloque objetos cortantes sobre él.
- ♦ Enrolle el cable sólo con la tensión necesaria para retenerlo en los respectivos ganchos.
- ♦ Cuando desconecte el cable eléctrico del tomacorriente, tire del enchufe. Si se saca tirando del cable mismo se puede dañar el aislamiento del cable y las conexiones internas del enchufe.

La aspiradora origina una succión y contiene un cepillo giratorio. Para evitar que la succión o las piezas móviles causen lesiones corporales, el cepillo de la aspiradora no debe colocarse contra o muy cerca de la ropa, joyas, cabello o superficies corporales mientras el aparato está conectado al tomacorriente. La aspiradora no se debe usar para aspirar la ropa mientras ésta está en uso. Mantenga a los niños alejados de la máquina cuando está funcionando o enchufada.

Si se usa sobre una alfombra gruesa o acolchada, apague la unidad cuando la manija está en posición vertical. Cuando se usan las herramientas auxiliares, mantenga el manguito de piso lejos de la alfombra con la manija en posición trabada y baje la manija con la mano para levantar el manguito del piso. Opere los elementos accesorios con la otra mano.

Siempre enchufe la aspiradora en un tomacorriente de pared estándar. El uso de un cable de extensión o un tomacorriente muy liviano y con poca capacidad para el transporte de corriente eléctrica puede causar una descarga eléctrica o un incendio.

Desconecte la aspiradora del tomacorriente antes de efectuar reparaciones como cambiar las bolsas o correas. Las piezas en movimiento de la máquina podrían causarle lesiones corporales si el interruptor se accionara accidentalmente. Desconecte la aspiradora del tomacorriente antes de separar el cabezal de potencia.

No use la aspiradora en áreas donde haya vapores inflamables o explosivos o polvo a fin de evitar la posibilidad de un incendio o una explosión. Algunos líquidos de limpieza pueden causar tales vapores. Las áreas sobre las cuales se han utilizado líquidos de limpieza deben estar totalmente secas y bien aireadas antes de pasar la aspiradora.

Para evitar el peligro de incendio, no aspire con la aspiradora cerillas, cenizas de hogares o material humeante.

Mantenga su área de trabajo bien iluminada para evitar aspirar materiales dañinos (como líquidos, objetos cortantes o sustancias en combustión) y accidentes por tropiezos.

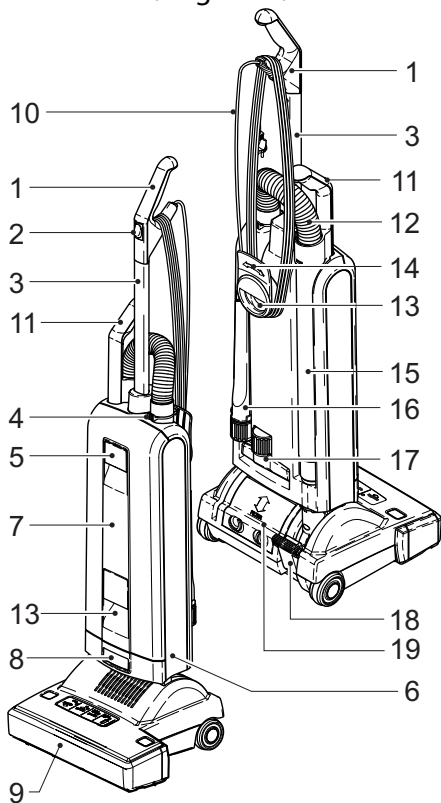
Tenga cuidado al operar la aspiradora sobre superficies irregulares como escaleras, ya que la caída de la aspiradora podría causar lesiones corporales y/o daños mecánicos. El almacenamiento adecuado de la máquina en un área específica inmediatamente luego del uso también evitará los accidentes causados por tropiezos con la máquina.

Guarde la aspiradora en interiores, en un área fresca y seca no expuesta a las condiciones climáticas para evitar descargas eléctricas y/o daños a la máquina.

Haga una estricta supervisión para evitar lesiones cuando la aspiradora se utiliza cerca de los niños o cuando se permite a un niño operar la aspiradora. No permita que los niños jueguen con la aspiradora y nunca deje el aparato enchufado y sin supervisión.

## GUARDE ESTAS INSTRUCCIONES

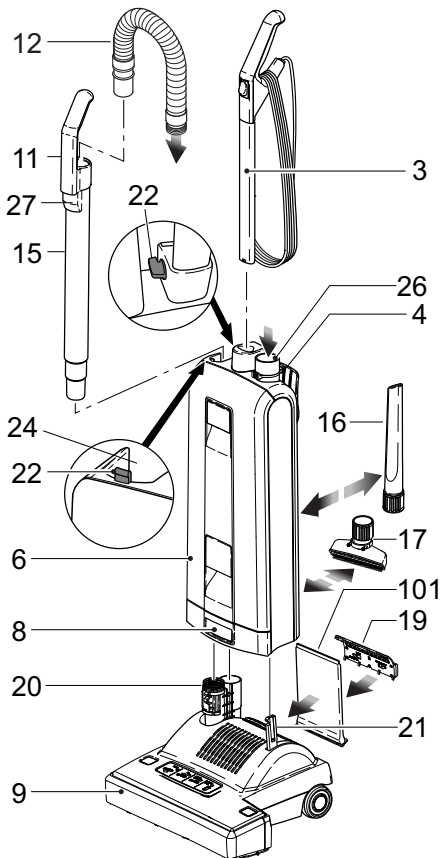
Picture 1 / Figura 1 / Foto 1



**Componentes**

1. Manija
2. Interruptor de encendido/apagado
3. Ensamblaje de la manija
4. Anillo de retención
5. Botón para abrir la cubierta
6. Compartimiento de la bolsa para polvo
7. Cubierta
8. Pestillo del compartimiento
9. Cabeza cepilladora/aspiradora
10. Cable
11. Mango del tubo telescópico
12. Manguera
13. Asa para transportar
14. Gancho del cable
15. Tubo telescópico
16. Boquilla para ranuras
17. Boquilla para tapicería
18. Pedal de encendido
19. Cubierta del filtro de escape

Picture 2 / Figura 2 / Foto 2



**Preparación**

Coloque la cabeza cepilladora/aspiradora sobre una superficie plana con el cuello (20) y la palanca de apoyo (21) en posición vertical. Sostenga el compartimiento de la bolsa para polvo en forma vertical y colóquelo sobre el cuello y la palanca de apoyo. Presione firmemente hacia abajo hasta que cierre el pestillo del compartimiento (8).

Levante el pestillo (22) y después deslice el ensamblaje de la manija en la parte superior del compartimiento para la bolsa para polvo (6) y presione firmemente hacia abajo.

Una vez que la manija esté insertada hasta el tope, presione el pestillo (22) hacia abajo. La máquina no funcionará si la manija no está insertada por completo.

Introduzca el tubo para accesorios (15) en la ranura de la parte posterior de la máquina. Ubique la manija (11) en el portador (24).

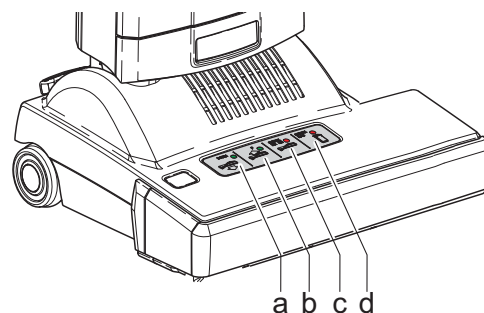
Empuje el extremo negro de la manguera en el tubo de conexión (26) para que haga clic en lugar.

Coloque la boquilla para ranuras (16) y la boquilla para tapicería (17) en la canal posterior de la máquina.

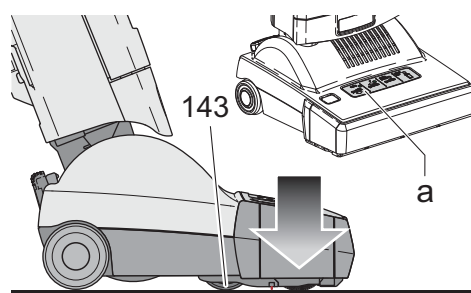
El dispositivo está listo, se puede encender por presionando el interruptor (2)

**Funciones de Despliegue:**

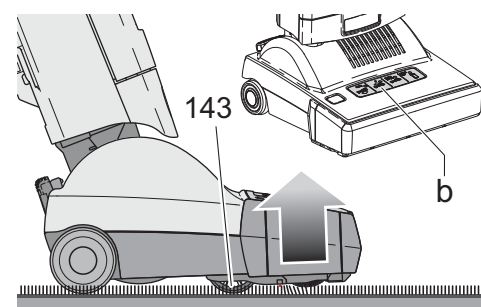
Luz verde (A)	Cepillo descende
Luz verde (B)	Cepillo asciende
Luz roja (C)	Continuo - Cambiar rodillo de cepillo
Luz roja (C)	Intermitente y motor apagado - Cepillo atrancado - claro
Luz roja (C)	Intermitente y motor encendido (Cuando maquina esta en posicion vertical? - tener cuidado: Cepillo en contacto con la alfombra)
Luz roja (D)	permanente-cambiar la bolsa de papel o desbloquear
Luz roja (D)	intermitente-motor apagado debido a bolsa llena o bloqueo



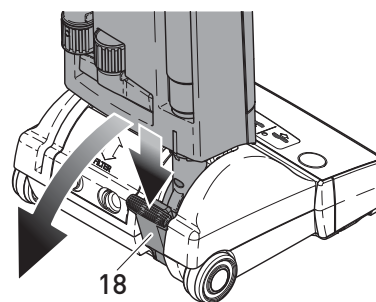
En los pisos duros, la rueda de ajuste (143) se mueve hacia arriba en la máquina a fin de que el cepillo llegue hasta el piso. Por lo tanto, la aspiradora V15XP también puede usarse para aspirar pisos duros.



Sobre pisos alfombrados, la rueda de ajuste (143) se mueve hacia abajo alejándose de la máquina para que el cepillo se eleve. La rueda de ajuste (143) sube y baja para ajustar el cepillo en la altura óptica. Esto combina un cepillado suave y efectivo con una acción fácil.



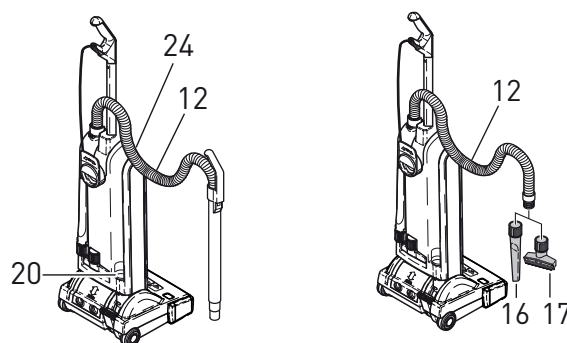
Cuando la máquina se enciende estando en la posición vertical, el cepillo automáticamente se eleva de la alfombra. Para desenganchar la posición vertical de la máquina, presione el pedal (18). El cepillo automáticamente bajará.

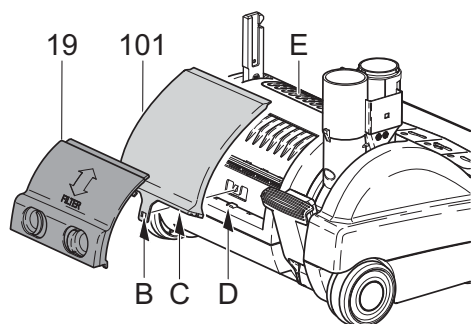
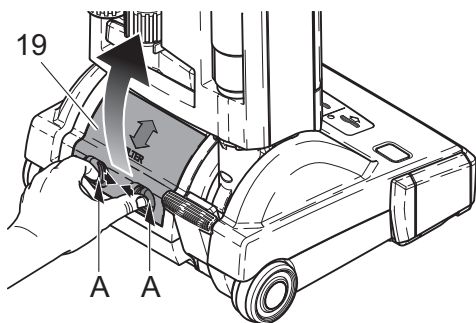
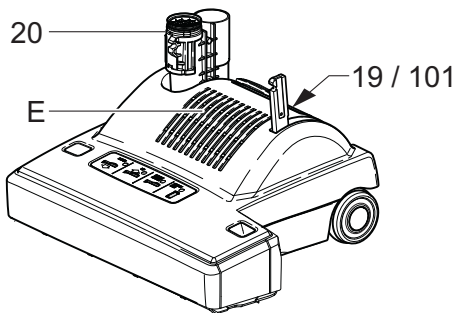
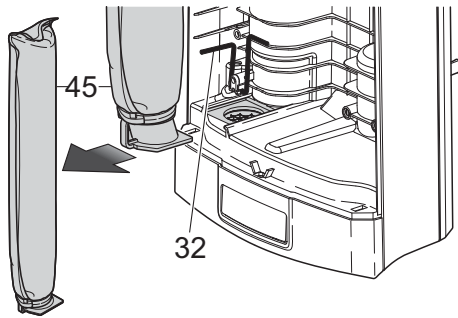
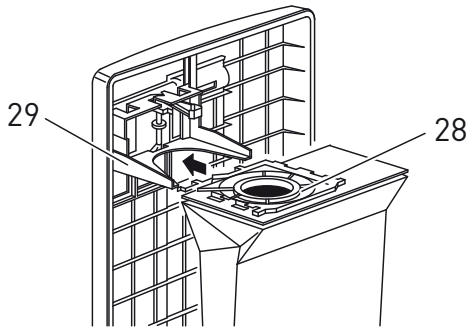


Para aspirar en esquinas, etc., tome del asa telescópica, levántela alejándola de la máquina y extienda la manguera y extienda la manguera. Después del uso, inserte el tubo telescópico nuevamente en la máquina. Levante el asa de la máquina y la manguera automáticamente se retraerá. Para usar la manguera sin el tubo como se muestra en la imagen de la derecha, la manguera tirará del tubo mientras el tubo está instalado en la máquina. Alternativamente, presione el retén (27) que se muestra en la Figura 2.

**Nunca pase sobre el cable con la cabeza de cepillado/aspiración.**

**Siempre sostenga la máquina cuando esté aspirando sobre escalones y alféizares.**





### **ADVERTENCIA - Siempre desconecte la máquina antes de desarmar cualquier parte de la misma.**

Si esta encendida la luz roja (d), cambie la bolsa de papel. Para hacerlo, primero hale el pestillo de la cubierta (5) (figura 1) hacia adelante y levante la cubierta del compartimiento de la bolsa para polvo. Retire la placa selladora (28) de la bolsa para polvo deslizando sobre el portador (29). Deslice la placa selladora (28) de la bolsa nueva en el portador y empujándola firmemente. Reponga la cubierta del compartimiento de la bolsa para polvo empujándola hacia adelante y presionando el pestillo de la cubierta (5) hacia abajo.

El micro filtro (45) higiénico debe cambiarse cuando este colmado de polvo, o bien después de haber usado aproximadamente 20 bolsas de papel. Para cambiar el filtro, primero quite la cubierta y después retirelo de la parte inferior. Para reponerlo, levante la palanca e introduzca el nuevo filtro.

Recomendamos cambiar el filtro del escape (101) al mismo tiempo que el filtro de micro higiene (45). El filtro del escape está ubicado debajo de la cubierta (19) en la parte posterior del cabezal de potencia.

### **Extracción del Filtro del Escape**

Desconecte la máquina de la red eléctrica

Ponga el alojamiento de la bolsa para polvo en posición vertical y asegúrese de que esté trabado.

Extraiga la cubierta (19) del filtro del escape oprimiendo las dos asas empotradas (A) hasta el medio y levantando la cubierta.

El filtro del escape (101) está sujeto a la máquina con un pasador adicional (B). Levante el pasador ligeramente y tire del filtro para sacarlo del alojamiento.

### **Colocación de un Nuevo Filtro del Escape**

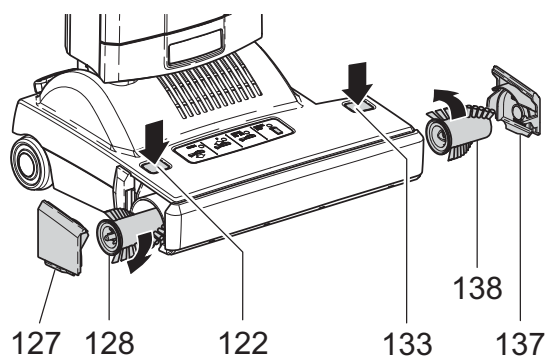
Deslice en la máquina primero el extremo cerrado del filtro.

Coloque el extremo del filtro (C) en el canal de aire (D) y trabe el pasador (B).

A través de las ranuras (E) que están en el frente del cabezal de potencia, se puede verificar que se haya posicionado correctamente el filtro. Por favor, asegúrese de que quede uniforme y plano.

Por último, vuelva a colocar la cubierta (19) del filtro de escape. Colóquela en la parte superior de la abertura del alojamiento del cabezal de potencia y muévala hacia abajo hasta que se escuche un clic.

**Los filtros no deben lavarse**



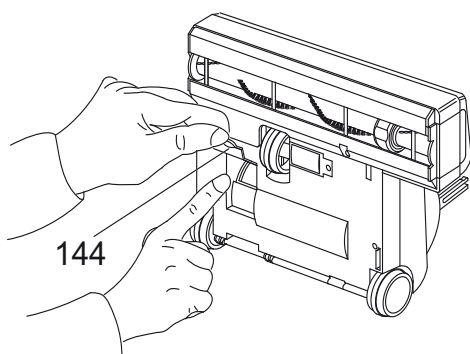
### Rodillo Cepillador

El rodillo cepillador de las máquinas XP 15 y XP 18 está compuesto por dos piezas (128, 138). Los botones pulsadores (122, 133) sueltan las dos placas laterales (127, 137). Gire los cepillos (128 en el sentido de las agujas del reloj, 138 en el sentido contrario) y tire de ellos para extraerlos. Para el reemplazo, deslice las dos piezas de los rodillos cepilladores hacia el interior del alojamiento del cepillo y gírelas hasta que queden en su lugar. Oprima el botón respectivo (122, 133) y oprima las placas laterales para que vuelvan a quedar en su lugar.

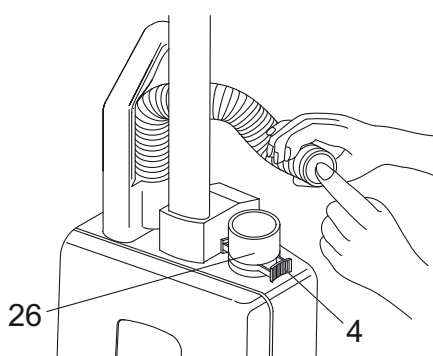
Recomendamos aspirar periódicamente los extremos de los rodillos cepilladores a fin de evitar que se acumulen polvo o fibras. Al extraer cabellos, etc. de los rodillos cepilladores, no corte las cerdas.

### Eliminar El Bloqueo

Debajo de la maquina existe una puerta de inspeccion (144) que permite ver si hay bloqueos.

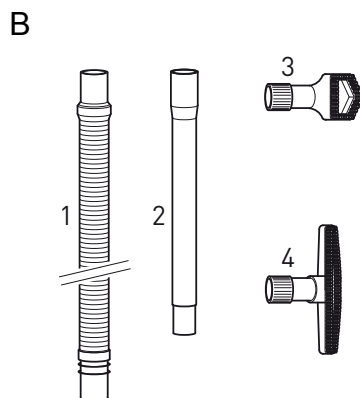
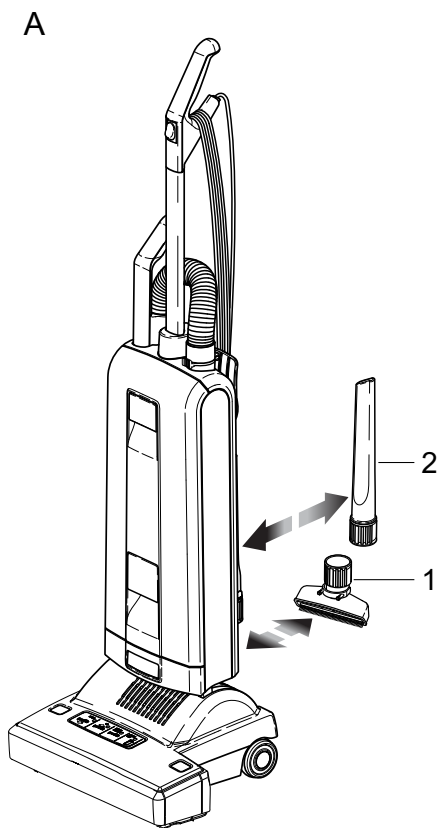


Se pueden revisar las obstrucciones del cuello de la manguera (20-figura 2), primero levantando la caja de la bolsa de basura y presionando la parte que captura la basura (8). Luego suelte el pedal, baje el cuello y revise dentro del tubo junto al pedal.



Si la manguera esta bloqueada se puede desbloquear retirandola de la maquina y volviendola a colocar pero al revés en el tubo de conexlon (26); despues mantengala en posicion vertical bloqueando el extremo superior con una mano y encienda la maquina (si es necesario, quite y ponga la mano rapidamente en el extreme de la manguera).

**La garantfa perdera su validez si alguna pieza, p.ej. bolsas, filtros, cepillo de rodillo, etc., no ha sido aprobada por Fabricante.**



A.) Accesorios Opcionales

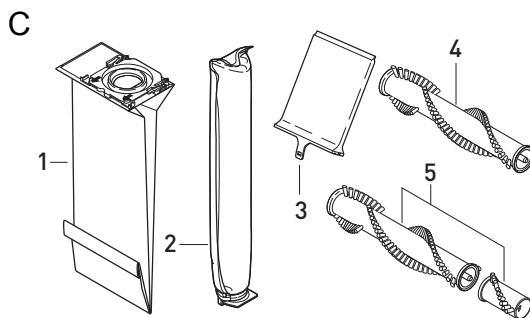
1. Boquilla para tapicería
2. Boquilla para grietas

B.) Accesorios opcionales

1. Manguera Flexible
2. Tubo rígido
3. Cepillo para sacudir
4. Boquilla para tapicería, esp

C.) Piezas de repuesto

1. Bolsa de papel Micro
2. Filtro higiénico Filtro
3. De salida de aire
4. Cepillo de rodillo
5. Juego de rodillos de cepillo



**⚠ ADVERTENCIA:**

eléctrico

*Si se utiliza al aire libre i sobre superficies húmedas podría ocurrir un choque*

### Datos Técnico

Motor de aspiración	1200 vatios
Columna de agua	2300 mm (90 pulgadas)
Flujo da aire	50 l/s
Capacidad bolsa del polvo	5,3 liters
Ancho operacional	378 mm (15 pulgadas)
Motor del cepillo	cinta dentada
Velocidad del cepillo	2700 rpm
Ajuste al suelo	Sensor automático aconsejado
Cable	12.2 m (40 pies)
Peso	V15 XP 7.7 kg (16.9 libras)
Supresión de radio	EN 55014 Verf 242./91





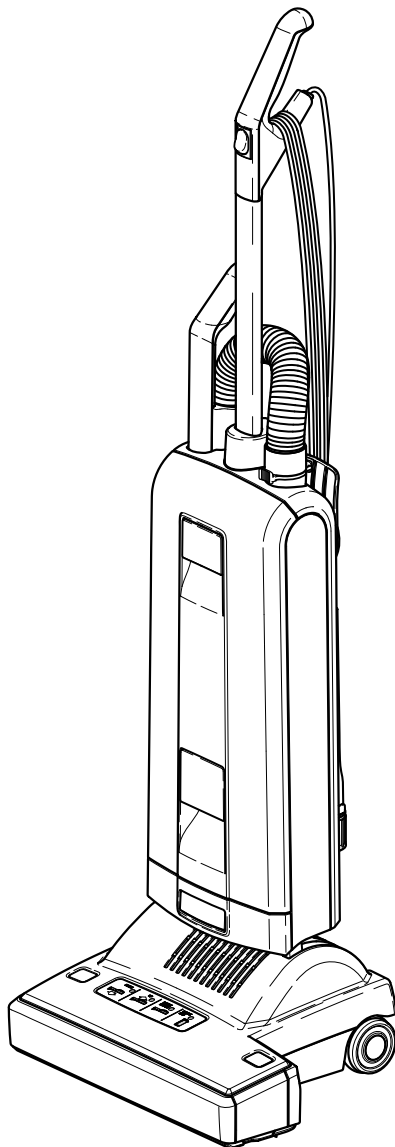


by HILLYARD

**L'aspirateur  
HIL 560xx**

**Mode d'emploi (FRA)**

**Modèle: 1.012-629.0  
V15XP**



De série n ° # G568001001  
Si le numéro de série ne figure pas,  
contacter le fabricant



8.644-074.0-A 10/02/19

## **Étiquette de données de la machine**

---

Modèle :	_____
Date d'achat :	_____
Numéro de série :	_____
Détaillant :	_____
Adresse :	_____
Numéro de téléphone :	_____
Représentant commercial :	_____

### **Enregistrement de la Garantie**

Merci d'avoir acheté un produit HILLYARD.

S'il vous plaît enregistrez votre machine pour la garantie par l'intermédiaire de votre concessionnaire Trident autorisé.

Étiquette de données de la machine ..... 2  
Table des matières ..... 3  
Comment utiliser ce manuel..... 4

**Sécurité**

CONSIGNES DE SÉCURITÉ IMPORTANTES .. 5  
Instructions De Mise À La Terre ..... 6  
MESURES DE SÉCURITÉ IMPORTANTES .... 7

**Opération**

Composants ..... 8  
Préparation ..... 8  
Fonctions du Panneau de Contrles: ..... 9

**Entretien**

Retrait du filtre d'évacuation ..... 10  
Montage d'un nouveau filtre d'évacuation ..... 10  
Rouleaux de brosse ..... 11  
Supprimer les blocages ..... 11  
Détails Techniques ..... 13

## Comment utiliser ce manuel

Ce manuel contient les sections suivantes:

- Comment utiliser ce manuel
- Sécurité
- Opérations
- Entretien
- Liste des pièces

La section COMMENT UTILISER CE MANUEL vous dira comment trouver des informations importantes pour commander les pièces de rechange correctes.

Les pièces peuvent être commandées auprès des revendeurs agréés. Lorsque vous passez une commande de pièces, le modèle de la machine et le numéro de série de la machine sont importants. Consultez la case DONNÉES DE LA MACHINE qui est remplie lors de l'installation de votre machine. La case DONNÉES DE LA MACHINE se trouve sur la deuxième de couverture de ce manuel.

Modèle :	_____
Date d'achat :	_____
Numéro de série :	_____
Détaillant :	_____
Adresse :	_____
Numéro de téléphone :	_____
Représentant commercial :	_____

Le modèle et le numéro de série de votre machine se trouvent sur l'arrière-inférieur de la machine.

La section SÉCURITÉ contient des informations importantes concernant les utilisations dangereuses ou risquées de la machine. Les catégories de risques identifiés comprennent des risques qui pourraient endommager le produit, provoquer des blessures corporelles ou des blessures graves entraînant la mort.

La section OPÉRATIONS familiarise l'opérateur avec le fonctionnement et les fonctions de la machine.

La section ENTRETIEN contient les mesures d'entretien préventif pour maintenir la machine et ses composants en bon état. Elles sont énumérées dans cet ordre général:

- Sac à poussière
- Filtres
- Obstruction
- Rouleau brosse
- Dépannage

La section LISTE DES PIÈCES contient des illustrations des pièces assemblées et la liste des pièces correspondantes. Les listes de pièces comprennent un certain nombre de colonnes informatives :

- **ITEM** - la colonne se réfère au numéro de référence sur l'illustration des pièces.
- **PART NO.** - cette colonne indique le numéro de pièce de la pièce.
- **REF NO.** - cette colonne indique la quantité de la pièce utilisée dans cette section de la machine.
- **DESCRIPTION** – la colonne contient une brève description de la pièce.
- **NOTES**– colonne pour les informations non traitées par les autres colonnes.

*REMARQUE : Si un kit d'entretien ou kit optionnel est installé sur votre machine, conservez soigneusement les INSTRUCTIONS DU KIT accompagnant le kit. Il contient les numéros des pièces de rechange nécessaires pour commander de nouvelles pièces.*

*REMARQUE : La référence du manuel se trouve dans le coin inférieur droit de la couverture.*

# CONSIGNES DE SÉCURITÉ IMPORTANTES

Lorsque vous utilisez cette machine, les précautions de base doivent toujours être suivies, notamment :

**LIRE TOUTES LES INSTRUCTIONS AVANT D'UTILISER CETTE MACHINE.**

## **⚠ AVERTISSEMENT:**

**Pour réduire les risques d'incendie, de choc électrique ou de blessure:**

1. Ne pas laisser l'appareil sans surveillance lorsqu'il est branché. Débrancher l'appareil lorsqu'il n'est pas utilisé et avant toute opération d'entretien.
2. Brancher seulement à une prise correctement mise à la terre. Voir les instructions de mise à la terre.
3. Ne pas utiliser à l'extérieur ou sur des surfaces humides.
4. Ne pas utiliser à proximité de jeunes enfants. Cet appareil n'est pas un jouet. Une surveillance étroite est impérative lorsqu'il est utilisé par des enfants ou à proximité.
5. N'utiliser que conformément aux instructions de ce manuel. N'utiliser que les accessoires recommandés par le fabricant.
6. Ne pas utiliser un cordon ou une fiche endommagé(e). Si l'appareil ne fonctionne pas correctement, s'il a chuté, a été endommagé, laissé à l'extérieur ou s'il est tombé dans l'eau, le renvoyer à un centre de service.
7. Ne pas tirer sur ou transporter par le cordon, utiliser le cordon comme une poignée, fermer une porte sur le cordon ou tirer le cordon autour de bords ou d'angles pointus. Ne pas faire rouler l'appareil sur le cordon. Tenir le cordon éloigné des surfaces chaudes.
8. Ne pas débrancher l'appareil en tirant sur le cordon. Pour débrancher, saisir la fiche et non le cordon.
9. Ne pas manipuler la fiche ou l'appareil avec les mains mouillées.
10. Ne pas insérer d'objets dans les ouvertures. Ne pas utiliser le produit si l'une des ouvertures est obstruée. Retirer la poussière, les peluches et les cheveux, ou tout autre élément pouvant réduire la circulation de l'air.
11. Tenir les cheveux, les vêtements amples, les doigts ou toute autre partie du corps éloignés des ouvertures et des pièces en mouvement. Ne pas placer les doigts ou autres parties du corps sous l'aspirateur, à moins que l'appareil ne soit débranché.
12. Ne pas aspirer des choses qui brûlent ou fument, comme des cigarettes, des allumettes ou des cendres chaudes.
13. Ne pas utiliser sans le sac à poussière et/ou les filtres en place. Ne pas laver les filtres.
14. Placer toutes les commandes sur la position d'arrêt avant de débrancher l'appareil.
15. Faire particulièrement attention lors du nettoyage des escaliers.
16. Ne pas utiliser pour ramasser des liquides inflammables ou combustibles tels que l'essence ou dans les zones où ils peuvent avoir été présents.
17. Ne pas utiliser cette machine en présence de fluides, de poussière ou de vapeurs inflammables.
18. L'entretien et les réparations doivent être effectués par du personnel qualifié.
19. N'utiliser que des pièces de rechange identiques. Consulter les instructions d'entretien des appareils.
20. Ne pas utiliser la machine comme escabeau.
21. Si elle est utilisée sur une moquette ou un tapis à poils longs avec un rembourrage épais, ne pas laisser la machine au même endroit lorsqu'elle est en fonctionnement.
22. Ne pas utiliser la poignée du boîtier du sac à poussière pour transporter la machine.
23. Toujours mettre l'interrupteur de l'appareil à la position ARRÊT avant de brancher ou de débrancher la brosse à moteur.
24. La brosse peut se remettre en marche subitement. Pour éviter les risques d'accidents causés par des pièces en mouvement, débrancher l'appareil avant de l'entretenir.
25. Votre aspirateur est équipé d'un dispositif manuel de protection thermique qui est remis à zéro en éteignant l'aspirateur. Ce dispositif de protection a besoin de temps pour refroidir une fois l'aspirateur éteint. S'assurer qu'il n'y a aucun blocage ou autre problème mécanique avant de redémarrer l'aspirateur.
26. Entreposer l'aspirateur dans un endroit sec à température ambiante. Enrouler le cordon sur ses crochets lorsque l'aspirateur n'est pas utilisé.
27. Toute autre réparation doit être effectuée par un réparateur autorisé.
28. Assurez-vous que la rallonge électrique est en bonne condition et d'une taille qui convient à votre appareil. Le tableau de la page des instructions de mise à la terre présente les tailles à utiliser, selon la longueur du cordon et l'intensité nominale de la plaque signalétique. En cas de doute, utiliser un cordon d'alimentation d'une grosseur supérieure. Plus le numéro de jauge est petit, plus le cordon d'alimentation est gros. Une rallonge électrique d'une taille insuffisante mènera à une baisse de tension de ligne, à une perte de puissance et à une surchauffe.
29. N'utiliser que des rallonges électriques extérieures à trois fils dotées d'une prise avec mise à la terre pouvant accepter la fiche de l'appareil.
30. Afin de réduire les risques de blessure personnelle en raison d'une mauvaise connexion électrique, brancher fermement la prise de l'appareil à la rallonge électrique extérieure. Vérifier périodiquement le branchement lors de l'utilisation afin de vous assurer d'une connexion ferme. N'utiliser pas de rallonge dont le branchement est lâche. Une connexion lâche peut mener à une surchauffe, à des étincelles et à un risque accru de combustion.
31. Afin de réduire le risque de déconnexion du cordon de l'appareil à la rallonge lors de l'opération, faire un nœud comme présenté dans les instructions de mise à la terre.
32. Entretien l'appareil avec soin. Inspecter les rallonges électriques périodiquement et remplacer-les si elles sont endommagées.

**LIRE ET CONSERVER CES INSTRUCTIONS**

**Instructions De Mise À La Terre**

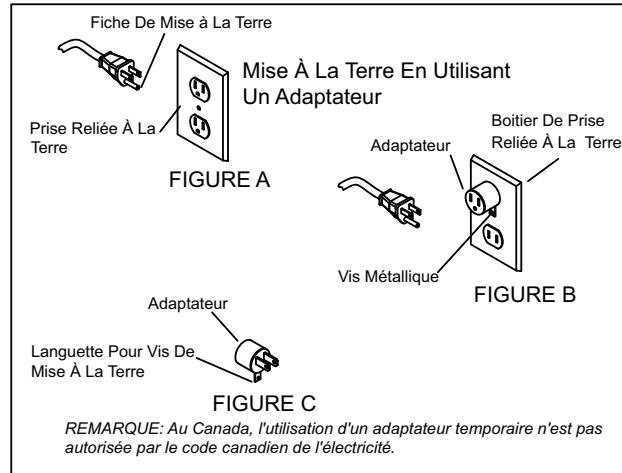
Cet appareil doit être mis à la terre. En cas de dysfonctionnement ou de panne, la mise à la terre fournit un chemin de moindre résistance au courant électrique pour réduire le risque de choc électrique. Cet appareil est équipé d'un cordon comportant un conducteur de mise à la terre de l'équipement et une fiche de mise à la terre. La fiche doit être branchée dans une prise adéquate qui soit correctement installée et mise à la terre en conformité avec tous les codes et les réglementations locaux.

**⚠️ AVERTISSEMENT:**

**Un branchement inadéquat du conducteur de mise à la terre de l'équipement peut entraîner un risque d'électrocution. Vérifier avec un électricien ou un membre qualifié du personnel d'entretien si vous doutez de la bonne mise à la terre de la prise. Ne pas modifier la fiche fournie avec l'appareil - si elle n'entre pas dans la prise, faites installer une prise adéquate par un électricien qualifié.**

Cet appareil doit être utilisé sur un circuit nominal de 120 volts, et dispose d'une fiche mise à la terre qui ressemble à la fiche illustrée dans le croquis A. Un adaptateur temporaire ressemble à l'adaptateur illustré dans les croquis B et C, et peut être utilisé, il relie cette fiche à une prise électrique à 2 bornes comme indiqué dans le croquis B si une prise correctement mise à la terre n'est pas disponible. L'adaptateur temporaire ne doit être utilisé que jusqu'à ce qu'une prise correctement mise à la terre (croquis A) puisse être installée par un électricien qualifié. La languette, patte ou autre pièce rigide verte s'étendant de l'adaptateur doit être connectée à un dispositif permanent mis à terre, comme le couvercle d'une boîte de sortie correctement mise à la terre. Si un adaptateur est utilisé, il doit être maintenu en place par une vis métallique.

**Remarque :** Au Canada, l'utilisation d'un adaptateur temporaire n'est pas autorisée par le Code canadien de l'électricité. .



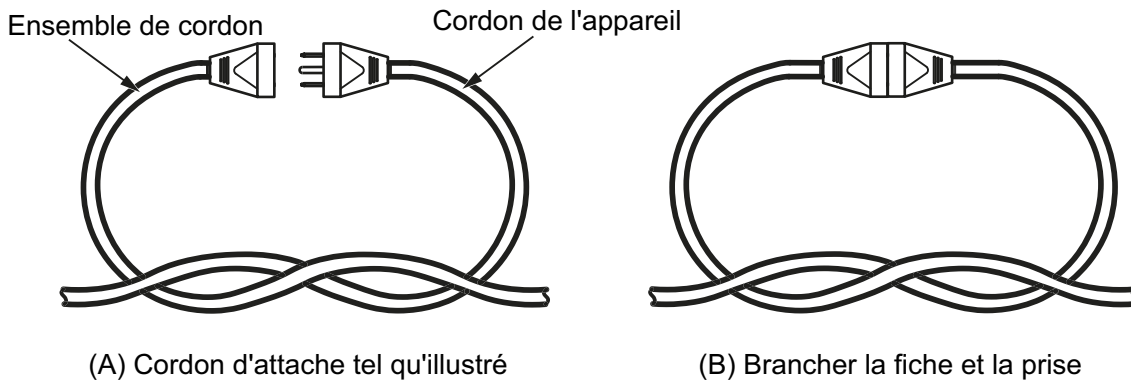
**Caractéristiques électriques**

Aux États-Unis et au Canada, la machine fonctionne sur un circuit électrique c.a. standard de 15 A et 115 V. Les caractéristiques d'intensité, de fréquence et de tension se trouvent sur la plaque signalétique de chaque appareil. L'utilisation d'une tension supérieure ou inférieure à celle indiquée sur la plaque signalétique peut mener à des dommages importants aux moteurs.

**Rallonges électriques**

Si vous utilisez une rallonge électrique, sa taille doit correspondre à ce qui est présenté dans le tableau et ne doit pas dépasser 15,5 m (50 pi).

Figure 1: méthode pour fixer le cordon de l'appareil à la rallonge



Extension cords ratings and measures					
Ampere rating		Volts	Total length of cord		
			7.62m (25ft)	15,24m (60ft)	30,48m (100ft)
More than A	Not More than A		mm <sup>2</sup> (AWG)		
10	12	120 V	0.83 (18)	1.3 (16)	2.1 (14)

## MESURES DE SÉCURITÉ IMPORTANTES

Les accidents dus à une mauvaise utilisation peuvent uniquement être évités par ceux qui utilisent la machine. Pour se prémunir contre les blessures, les précautions de sécurité de base doivent être observées, notamment:

### Lisez et suivez toutes les consignes de sécurité.

**⚠ AVERTISSEMENT:** Un choc électrique peut se produire si vous utilisez la machine à l'extérieur ou sur des surfaces humides.

L'aspirateur est conçu pour être sûr lorsqu'il est utilisé pour exécuter des fonctions de nettoyage. En cas d'endommagement de pièces électriques ou mécaniques, l'aspirateur doit être réparé par un centre de service compétent avant d'être utilisé afin d'éviter de causer des dommages supplémentaires à la machine ou des blessures corporelles à l'utilisateur.

Un cordon d'alimentation endommagé peut causer un choc électrique et/ou un incendie. Afin de minimiser cette possibilité, observez les précautions suivantes:

- ♦ Ne pas faire fonctionner l'aspirateur sur un cordon électrique.
- ♦ Éviter de fermer les portes sur le cordon d'alimentation, de le tirer le long de bords tranchants ou de placer des objets coupants sur le cordon.
- ♦ Ne pas serrer le cordon plus que nécessaire afin de le maintenir sur les crochets.
- ♦ Lorsque vous débranchez le cordon d'alimentation de la prise électrique, saisissez la fiche. Le tirer par le cordon peut endommager l'isolation du cordon et les connexions internes à la fiche.

Votre aspirateur produit une aspiration et contient une brosse rotative. Pour éviter des blessures corporelles résultant de l'aspiration ou des pièces mobiles, la brosse de l'aspirateur ne doit pas être placée contre ou à proximité des vêtements amples, des bijoux, des cheveux ou des surfaces du corps pendant que l'aspirateur est branché à une prise électrique. L'aspirateur ne doit pas être utilisé pour nettoyer des vêtements pendant qu'ils sont portés. Tenir les enfants éloignés lorsque la machine est en fonctionnement ou branchée.

Si elle est utilisée sur un tapis à poils longs ou un tapis avec un rembourrage épais, éteignez l'appareil lorsque la poignée est en position verticale. Lors de l'utilisation des accessoires, maintenez la brosse de sol surélevée par rapport au tapis en maintenant la poignée en position verrouillée et en abaissant la poignée avec la main pour soulever la brosse du tapis. Utilisez les accessoires avec l'autre main.

Toujours brancher votre aspirateur sur une prise murale standard. L'utilisation d'une rallonge ou d'une douille avec une capacité insuffisante de transmission de l'électricité peut entraîner un choc électrique ou un incendie.

Débranchez l'aspirateur de la prise électrique avant l'entretien, comme le remplacement des sacs ou des courroies. Vous pourriez vous blesser à cause des pièces mobiles de la machine, si celle-ci s'est accidentellement allumée. Débranchez l'aspirateur de la prise électrique avant de détacher l'électrobrosse.

N'utilisez pas votre aspirateur dans les endroits où des vapeurs ou de la poussière inflammable(s) et/ou explosive(s) sont présentes, afin d'éviter les risques d'incendie ou d'explosion. Certains liquides de nettoyage peuvent produire de telles vapeurs. Les superficies sur lesquelles des liquides de nettoyage ont été utilisés doivent être complètement séchées et bien aérées avant d'être aspirées.

Pour éviter tout risque d'incendie, n'aspirez pas des allumettes, des cendres de cheminée ou des éléments qui fument.

Gardez votre zone de travail bien éclairée pour éviter de ramasser des matériaux nocifs (tels que les liquides, des objets tranchants ou des substances incandescentes) et pour éviter de trébucher.

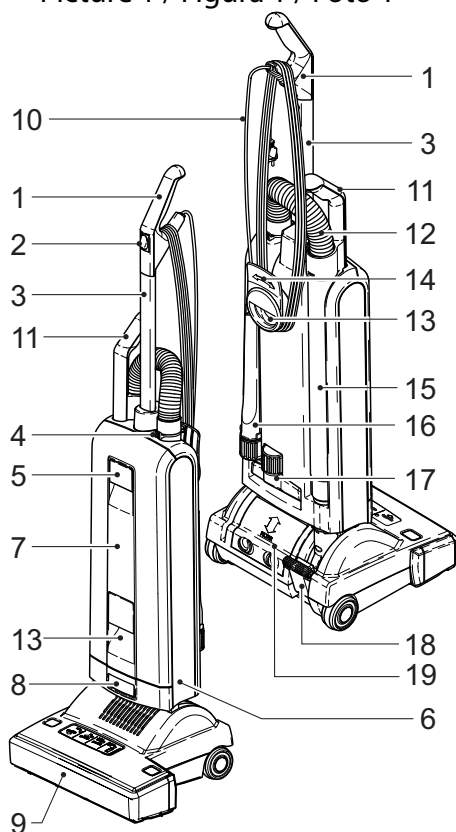
Soyez prudent lorsque vous utilisez l'aspirateur sur des surfaces irrégulières telles que les escaliers, car la chute de l'aspirateur peut causer des blessures corporelles et/ou des dommages mécaniques. Un rangement adéquat de la machine dans un endroit à l'écart immédiatement après usage permettra également d'éviter les accidents causés par le trébuchement sur l'aspirateur.

Rangez votre aspirateur à l'intérieur, dans un endroit frais et sec, pas exposé aux intempéries afin d'éviter un choc électrique et/ou d'endommager l'aspirateur.

Exercez un contrôle rigoureux pour éviter les blessures lors de l'utilisation de l'aspirateur à proximité des enfants ou lorsqu'un enfant est autorisé à utiliser l'aspirateur. Ne laissez pas les enfants jouer avec l'aspirateur et ne laissez jamais l'aspirateur branché et sans surveillance.

## CONSERVEZ CES INSTRUCTIONS

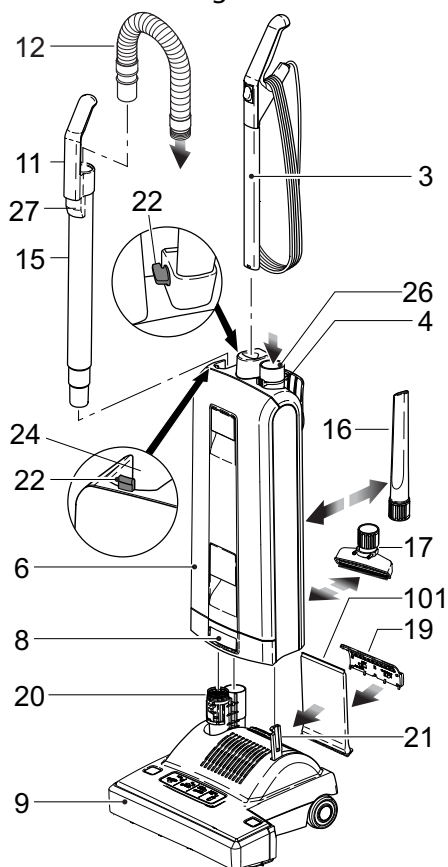
Picture 1 / Figura 1 / Foto 1



## Composants

1. Poignée
2. Interrupteur
3. Manche assemblage
4. Clips de blocage
5. Clapet d'ouverture du couvercle
6. Compartiment du sac poussière
7. Couvercle
8. Bouton blocage de la tête
9. Tête de brosse / aspiration
10. Câble électrique
11. Poignée du tube télescopique
12. Flexibel aspiration
13. Poignée de portage
14. Enrouleur de câble
15. Tube télescopique
16. Accessoire: Buse sifflet
17. Accessoire: Buse spéciale meuble
18. Pedale de deblocage
19. Filtre d'évacuation

Picture 2 / Figura 2 / Foto 2



## Préparation

Placer la tête de brosse (9) sur le sol et mettre l'articulation aspiration (20) et le guide (21) en position verticale. Présenter le bloc aspiration (6) verticalement au-dessus et l'ajuster sur la tête de brosse. Vérifier que le poussoir de blocage (8) est bien bloqué.

Lever le levier de blocage (22) et introduire le manche (3), refermer le levier de blocage.

Bien vérifier que le manche (3) est bien enfoncé et que le levier (22) est bien fermé. Si le manche n'est pas positionné correctement, l'appareil ne pourra se mettre en route.

Insérez le tube de fixation (15) dans le canal situé à l'arrière de la machine. Localisez la poignée (11) sur le support (24).

Enfoncez l'extrémité noire du tuyau dans le tube de raccordement (26) de manière à ce qu'elle s'enclenche.

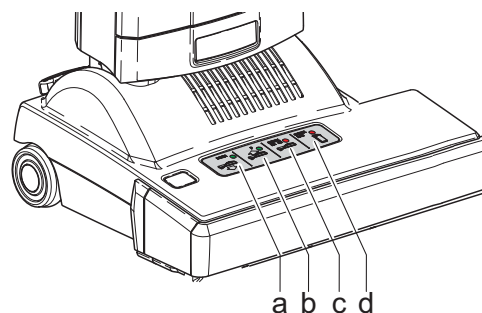
Mettez les accessoires 16 et 17 dans leur logement.

L'appareil est prêt, vous pouvez mettre en route en appuyant sur l'interrupteur (2).

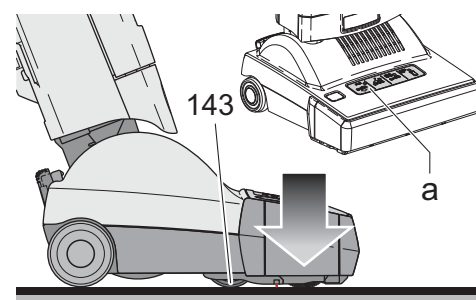


**Fonctions du Panneau de Contrles:**

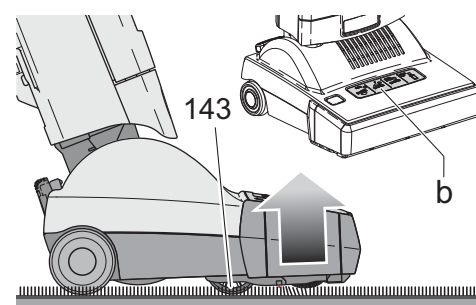
Voyant vert (a)	Descente de la brosse
Voyant vert (b)	Montee de la brosse
Voyant rouge (c)	En continu-changement du rouleau-brosse
Voyant rouge (c)	Clignotant avec moteur eteint brosse bloquee-libre
Voyant rouge (c)	Clignotant avec moteur en marche (Quand la machine est en position debout) Attention: brosse en contact avec la moquette.
Voyant rouge (d)	permanent-changer le sac papier ou flexible bouche
Voyant rouge (d)	Si elle clignote: Le moteumoteur s'est eteint car le sac poussiere est plein ou l'apareil est houche.



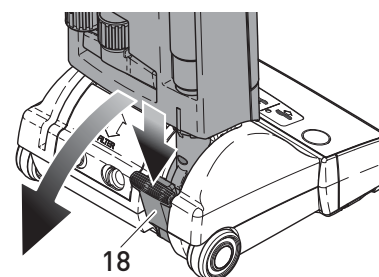
Sur les sols durs la tete de brossage s'ajuste automatiquement par la roue (143) commandee par son moteur. Dans ce cas, le V15XP devient un veritable aspirateur pour sols durs.



Sur les sols recouverts de moquette, la roue de réglage (143) déplace la machine vers le bas afin que la brosse se soulève. La roue de réglage (143) monte et descend afin de régler la brosse et obtenir un réglage optimal. Ce procédé associe un brossage délicat et efficace à une action douce et facile.



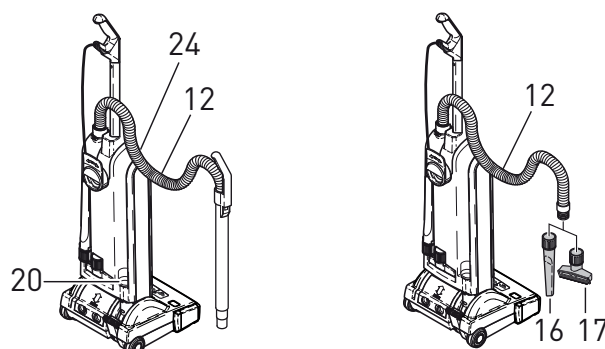
Lorsque la machine est mis en marche en position verticale, la brosse se soulève automatiquement du tapis. Pour relâcher la position verticale de la machine appuyez sur la pédale (18). La brosse s'abaissera automatiquement.

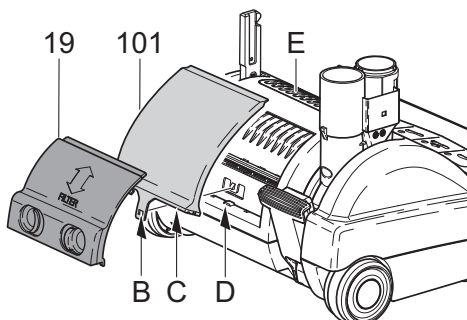
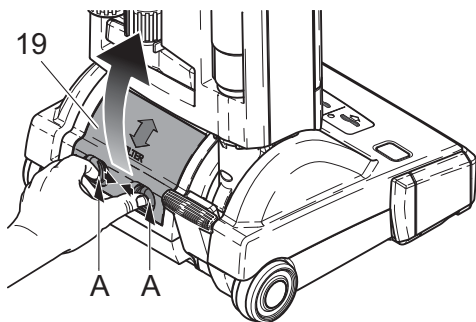
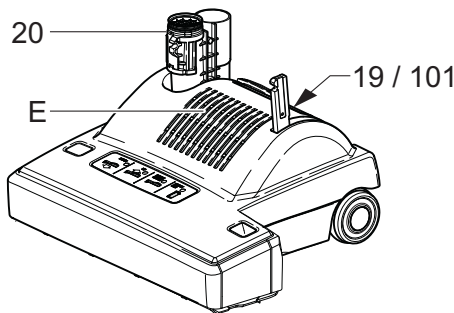
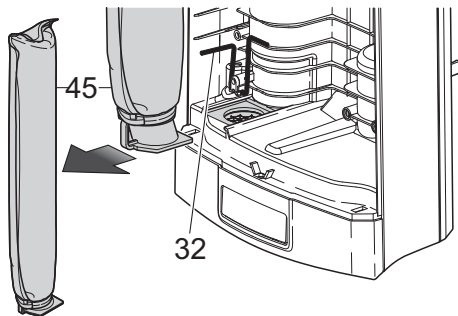
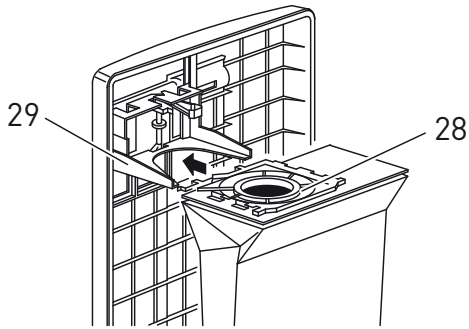


Pour aspirer dans les coins, etc., saisissez la poignée télescopique, soulevez-la de la machine et étirez le tuyau. Après utilisation, insérez le tube de fixation télescopique à l'arrière de la machine. Soulevez la poignée de la machine et le tuyau se rétractera automatiquement. Afin d'utiliser le tuyau sans le tube comme indiqué sur la photo de droite, le tuyau sera retiré du tube pendant que le tube est fixé à la machine. Vous pouvez également appuyer sur le bouton de déverrouillage (27) comme illustré sur la photo n°2.

**Ne pas passer sur le cable avec la tete d'aspiration.**

**Toujours porter la machine par dessus les marches et les rebords.**





**ATTENTION: Toujours débrancher la machine au secteur sortie avant de démonter une partie de la machine.**

Si le voyant rouge (d) s'allume, changez le sac de filtre en papier. Pour ce faire, tirez d'abord sur le bouton de déverrouillage (5) de la photo 1 et retirez-le du boîtier du sac à poussière. Faites glisser la plaque d'étanchéité du sac à poussière (28) du support (29). Faites glisser la plaque d'étanchéité (28) d'un nouveau sac dans le support et poussez fermement. Insérez le couvercle dans le boîtier du sac à poussière, poussez-le vers l'avant puis verrouillez-le en place en abaissant le bouton de dégagement du couvercle (5).

Le micro-filtre hygiénique (45) doit être remplacé lorsqu'il est bouché par la poussière ou après l'utilisation d'environ 20 sacs en papier. Pour changer le filtre d'hygiène, commencez par retirer le couvercle puis faites-le glisser vers le bas. Pour le remplacer, soulevez le levier (32) et faites glisser le nouveau filtre.

Nous recommandons de remplacer le filtre d'évacuation (101) en même temps que le micro-filtre hygiénique (45). Le filtre d'évacuation est situé sous le couvercle (19) à l'arrière de la tête motorisée.

### Retrait du filtre d'évacuation

Débrancher la machine du secteur

Déplacer le boîtier du sac à poussière en position verticale et s'assurer qu'il soit bien verrouillé.

Retirer le couvercle du filtre d'évacuation (19) en appuyant sur les deux poignées encastrées (A) au milieu et en le soulevant vers le haut.

Le filtre d'évacuation (101) est verrouillé sur la machine avec un loquet supplémentaire (B). Soulever légèrement le loquet et retirer le filtre du boîtier.

### Montage d'un nouveau filtre d'évacuation

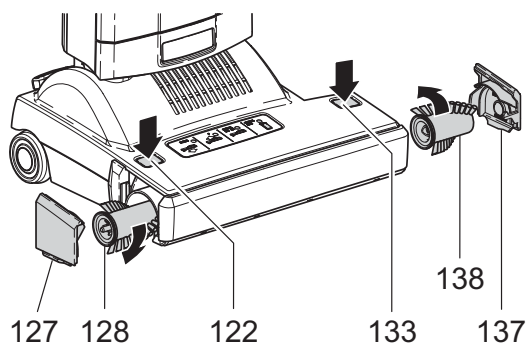
Faire glisser l'extrémité fermée du filtre dans la machine.

Placer l'extrémité du filtre (C) sur le canal d'air (D) et verrouiller le loquet (B).

La position correcte du filtre peut être vérifiée à travers les fentes (E) sur l'avant de la tête motorisée. Veuillez vous assurer qu'il est lisse et plat.

Installer ensuite le couvercle du filtre d'évacuation (19). Montez-le en haut de l'ouverture dans le logement de la tête motorisée et le déplacez vers le bas, jusqu'à ce qu'un clic se produise.

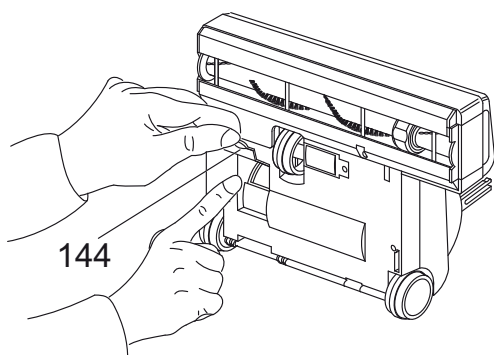
**Les filtres ne doivent pas être lavés.**



### Rouleaux de brosse

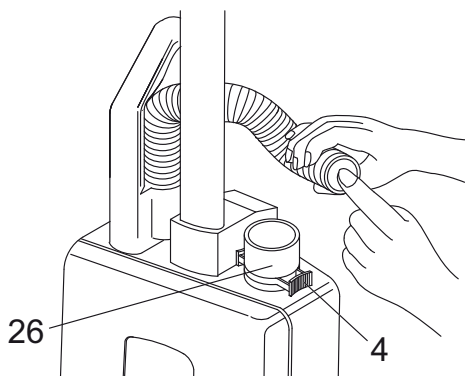
Le rouleau à brosses des machines XP 15 et XP 18 est composé de deux parties (128, 138). Les boutons-poussoirs (122, 133) dégagent les deux plaques latérales (127, 137). Tourner les brosses (128 dans le sens horaire, 133 dans le sens antihoraire) et les retirer. Pour les remplacer, faire glisser les deux parties du rouleau à brosses dans le logement et les faire tourner jusqu'à ce qu'elles soient en position correcte. Appuyer sur le bouton correspondant (122, 133) et presser les plaques latérales pour les remettre en place..

Nous recommandons de nettoyer périodiquement les extrémités du rouleau à brosses en passant l'aspirateur afin d'éviter toute accumulation de poussière ou de fibres. En retirant les poils et les cheveux du rouleau à brosses, éviter de couper les poils de brosse.



### Supprimer les blocages

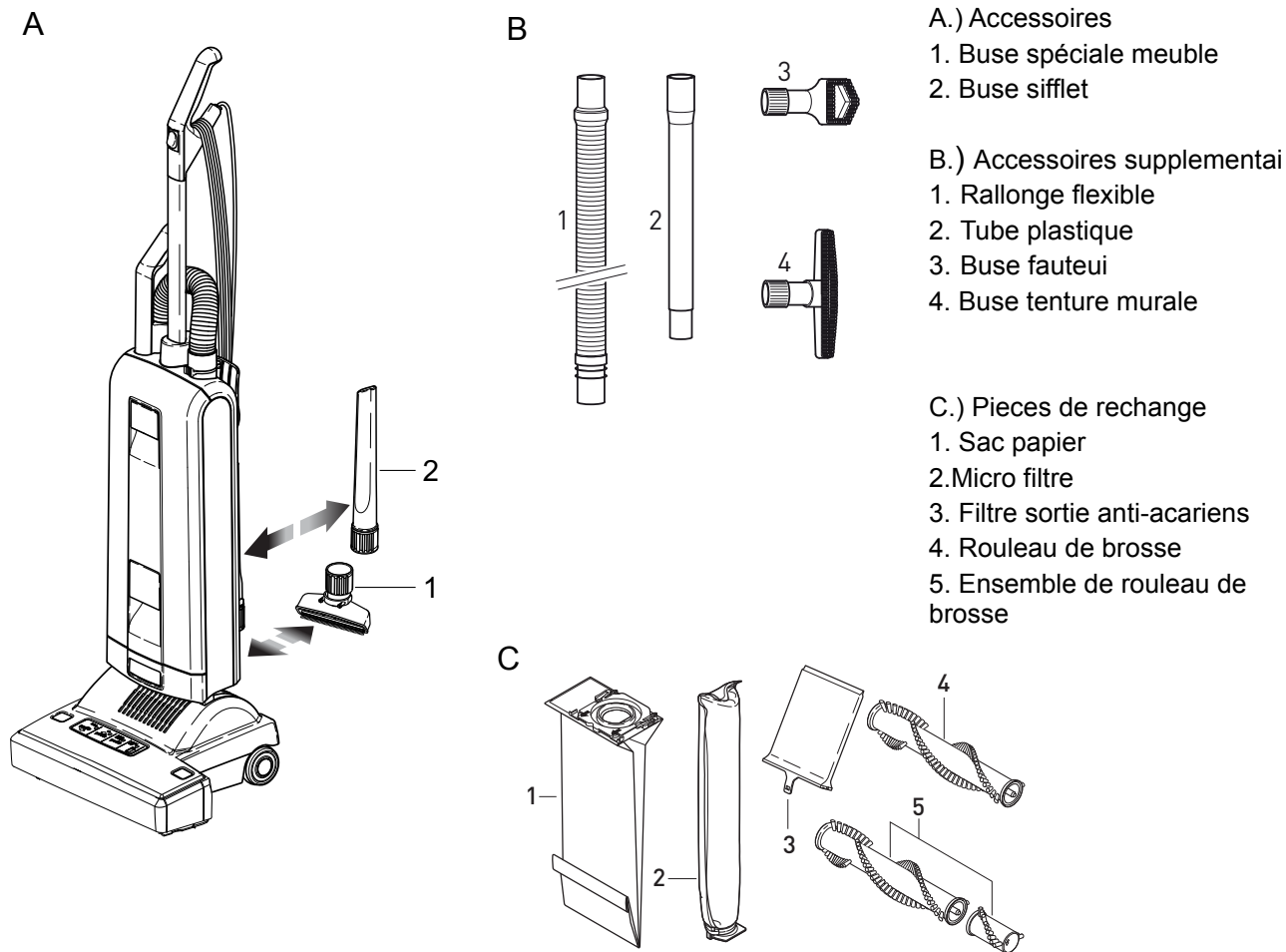
Sous la machine, existe une trappe d'inspection (144), en cas de colmatage. Si besoin est, ouvrir et débaucher.



Si quelque chose vient à bloquer le passage de l'air dans la tête d'aspiration: Remettre l'appareil dans sa position de rangement. Séparer le corps de l'appareil de sa tête d'aspiration en appuyant sur le bouton (8). Ensuite, appuyer sur la pédale et vérifier l'intérieur du tube de la tête d'aspiration en l'abaissant.

Les obstructions dans le tuyau peuvent être éliminées en retirant le tuyau de la machine et en le remettant dans le mauvais sens dans le tube de raccordement (26), en le tenant à la verticale d'une main bloquant le haut et allumant la machine. (Si nécessaire, levez rapidement la main et retirez le bout du tuyau)

**La garantie fabricant ne sera pas appliquée en cas de non utilisation des pièces d'origine fabricant (sac papier, filtre, brosse, roulement, etc...)**



**⚠ AVERTISSEMENT:** Pour réduire les risques de choc électrique, ne pas utiliser à l'extérieur et ne pas aspirer de matières humides!!

**Détails Techniques**

Moteur d'aspiration	1200 Watt
Colonna d'eau	2300 mm (90")
Débit	50 l/s
Sac aspiration	5.3 liters
Largor de travail	378 mm (15")
Entrainement de la brosse	Tooth Belt
Vitesse rotation de la brosse	2700 rpm
Réglage de la tête sur le sol	Automatiquement Sensor Informé
Câble	12.2 m (40")
Poids	V15XP 7.7 kg (16.9 lbs)
Ratio Suppression	EN 55014 Verf 242./91



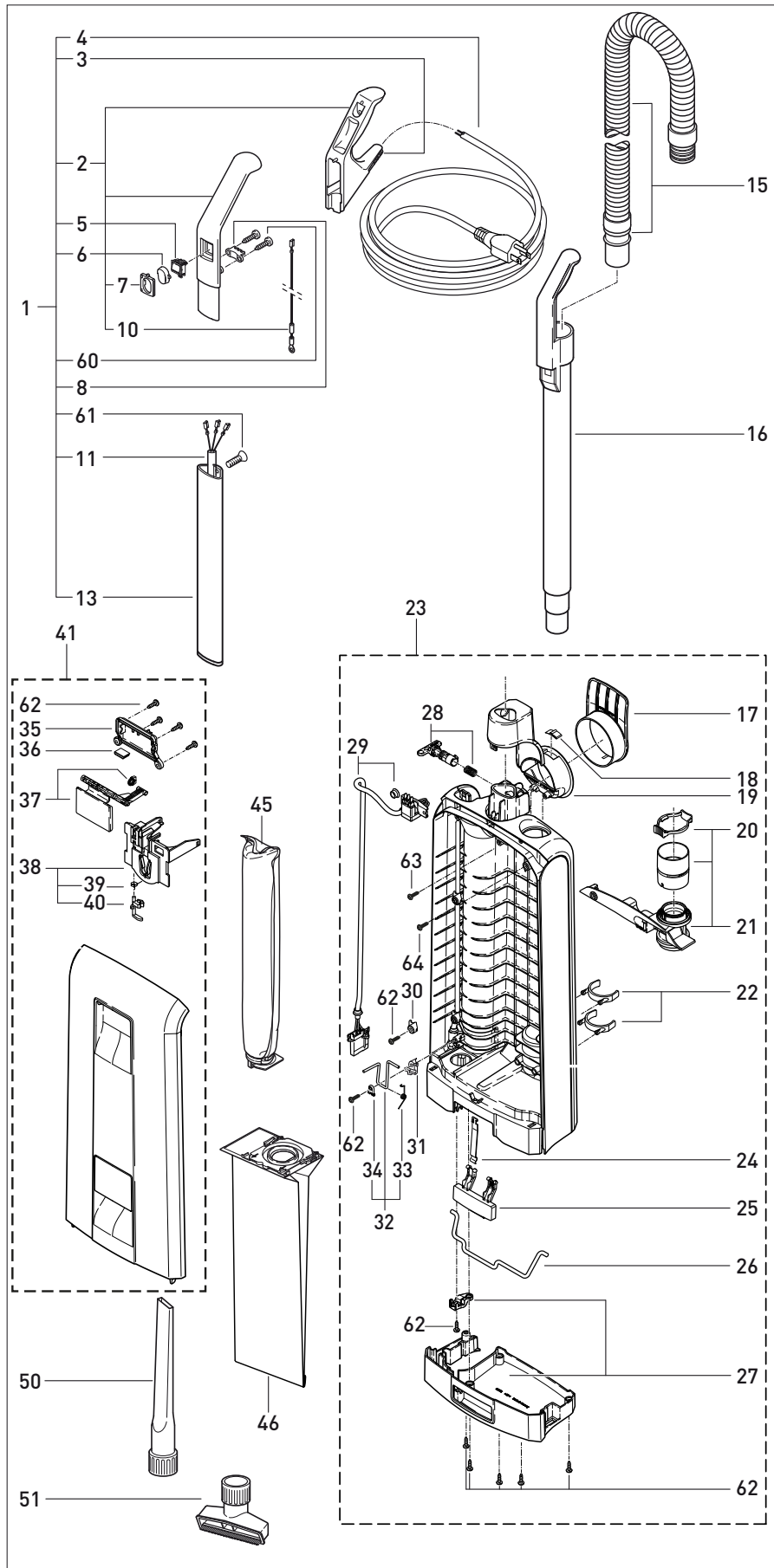


## **Spare Parts List**

**(1.012-629.0)**

**V15XP**

# Filter Bag Housing

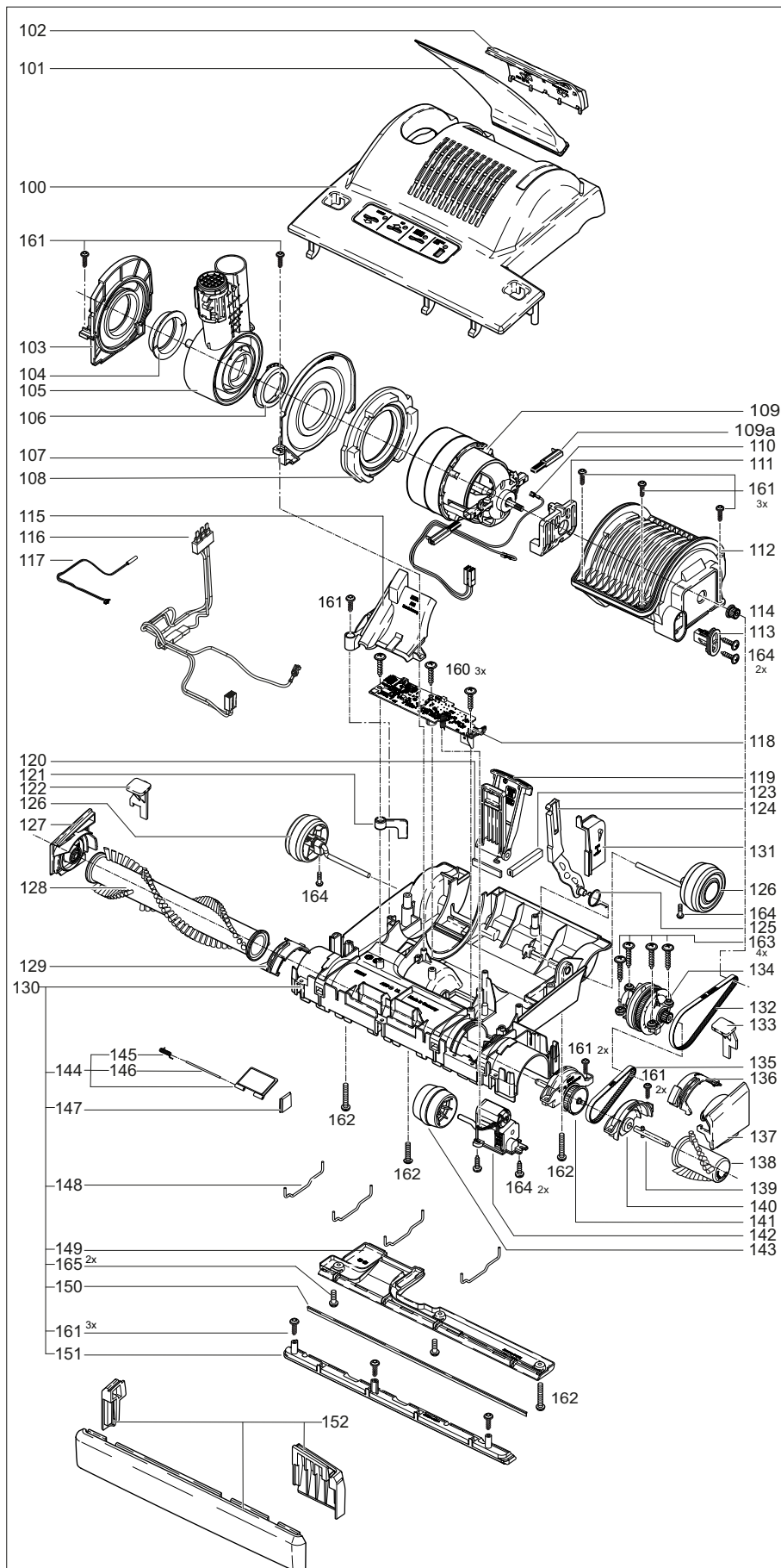




## Filter Bag Housing

ITEM	PART NO.	REF NO.	DESCRIPTION	NOTES
1	86407970	5625HY	HANDLE WITH CABLE, CPL., BLACK/LIGHT BLUE	
2	86372980	5295WI	HANDLE GRIP SR, BLACK	
3	86319140	5359SW	GROMMET, BLACK	
4	86139130	5260KA	CABLE, YELLOW	
5	86319160	05113	SWITCH	
6	86431110	5160lb	SWITCH CAP, LIGHT BLUE	
7	86319180	5161sw	SWITCH CAP HOLDER, BLACK	
8	86139280	5162	CABLE CLAMP	
10	86137780	0846	WIRE ANTISTATIC	
11	86142310	5256ER	HANDLE CABLE, 3-WIRE	
13	86142300	5187	HANDLE TUBE	
15	86142650	5040sb	HOSE, SENSOR SILVER	
16	86319200	5045sw	EXTENSION TUBE WITHOUT HOSE, BLACK	
17	86434560	51108gs	CABLE HOOK, GRAY BLACK, SPARE PART	
18	86145350	5146	STOP SPRING	
19	86434570	51109gs	CARRYING HANDLE, GRAY BLACK	
20	86414170	5424kg	RETAINING RING, KARCHER GRAY	
21	86434580	51115gs	INTERNAL COVER, CPL., GRAY BLACK	
22	86139980	1823gs	ATTACHMENT CLIP DUST BAG HOUSE SR XP, GRAY BLACK	
23	86434590	51150HY	DUST BAG HOUSING, CPL. GRAY BLACK	
24	86145280	5084	SPRING FOR LOCKING ROD	
25	86434600	51103lb	DUST BAG HOUSING LOCKING CATCH, LIGHT BLUE	
26	86143120	5083	LOCKING ROD	
27	86344610	51102gs	DUST BAG HOUSING BUMPER BASE, GRAY BLACK	
28	86434620	51110ER	LOCK CATCH INCL. SPRING, GREY BLACK	
29	86433990	51117ER	INTERNAL CABLE	
30	86139290	5164	CABLE CLAMP	
31	86139320	5266	CABLE CLAMP	
32	86141620	5208	FILTER SAFETY CATCH, CPL., INCL. POS. 33 AND 34	
33	86145320	5210	RETURN SPRING	
34	86139970	1073	CLAMP	
35	86434000	51159gs	COVER, GRAY BLACK	
36	86145340	5319	BAG HOLDER SPRING	
37	86434640	51153lb	COVER RELEASE XP 2017, LIGHT BLUE	
38	86138040	1847	BAG HOLDER, CPL., INCL. POS. 39 + 40	
39	86144760	5091	SAFETY CATCH SPRING	
40	86144750	1817	SAFETY CATCH	
41	86434650	51151HY	FRONT COVER, CPL., BASALT GRAY/LIGHT BLUE	
45	86005220	5301ER	MICRO HYGIENE FILTER	
46	86000500	5300NN	SENSOR FILTER BAG PACK (PACKED IN 10)	
50	86319300	1092sw	CREVICE NOZZLE	
51	86319290	1491sw	UPHOLSTERY NOZZLE	
60	86147040	0103ER	SCREW C 3,9X15	
61	86147140	0129ER	SCREW M4X12	
62	86363370	01036ER	AMTEC-SCREW 4X13 TX 20	
63	86434030	01036SW	AMTEC-SCREW 4X13 TX 20 BLACK	
64	86434040	01047ER	AMTEC-SCREW 3X12 TX 10 BLACK	

# Power Head - V15XP



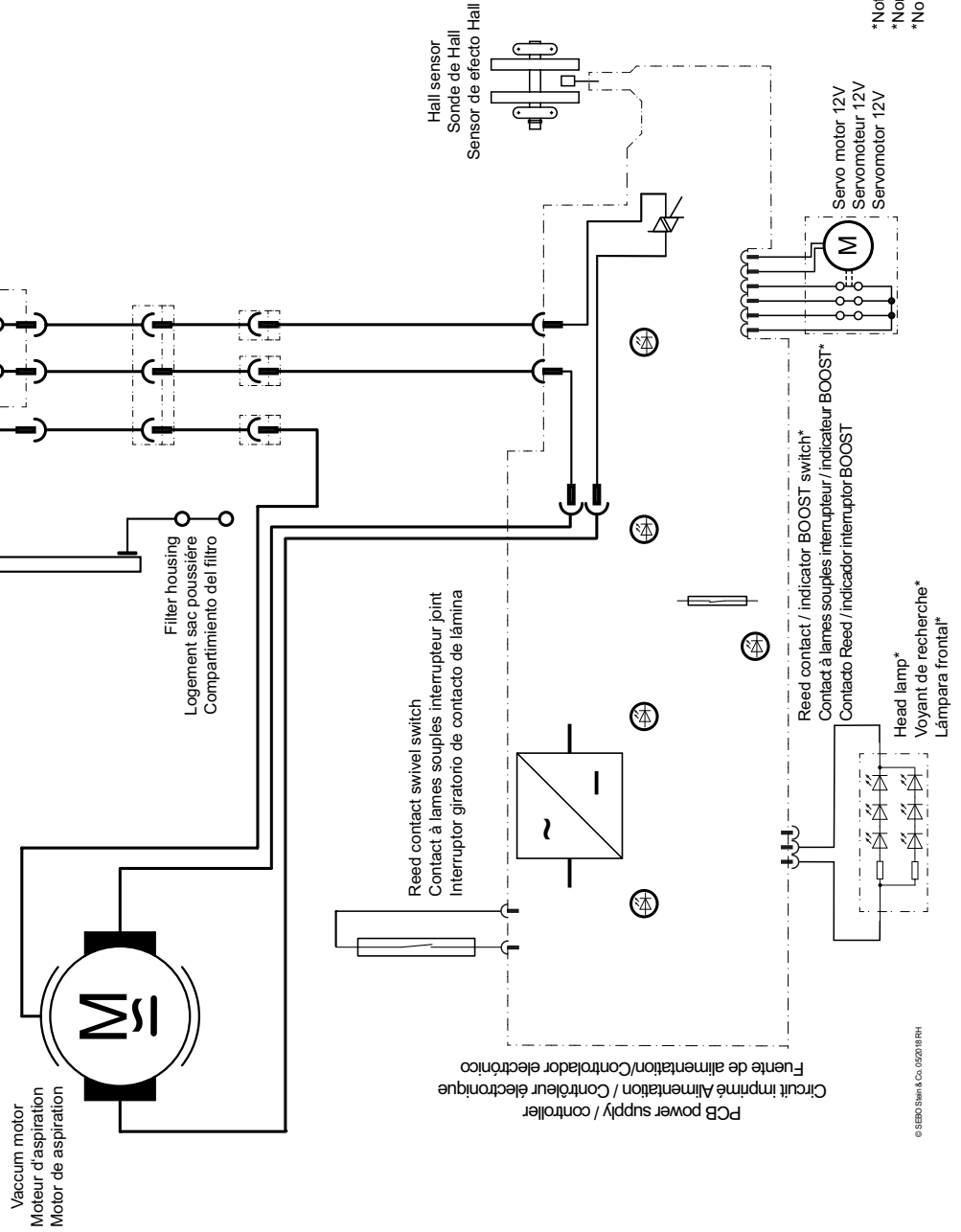
ITEM	PART NO.	REF NO.	DESCRIPTION	NOTES
100	86440700	52124HY	POWER HEAD COVER V15XP, CPL., GRAY BLACK	
101	86434060	52038ER	EXHAUST FILTER X-2017	
102	86434700	52114GS	COVER EXHAUST FILTER V15XP, GRAY BLACK	
103	86434080	52018UL	SWIVEL NECK BEARING RIGHT HAND	
104	86145120	5101	SWIVEL NECK SUPPORT RIGHT HAND	
105	86434090	52023UL	SWIVEL NECK ASSEMBLY	
106	86146130	5717	SWIVEL NECK BEARING LEFT HAND	
107	86434100	52020UL	SWIVEL NECK SUPPORT LEFT HAND	
108	86434110	52013	MOTOR SUPPORT GASKET	
109	86434120	52194ER	VACUUM MOTOR, 1000 W/120V, INCL. CABLE	
109A	86139400	05117S	CARBON BRUSH VAC MOTOR	
110	86434130	52040UL	CABLING MOTOR, UL, 3-WIRE	
111	86144710	5100	RUBBER MOUNTING	
112	86434140	52059UL	MOTOR HOUSING, 3-WIRE, UL-VERSION	
113	86434150	52011ER	BELT TIGHTENER	
114	86143620	5462	MOTOR PULLEY	
115	86434160	52115ER	COVER FOR AIR CHANNEL	
116	86434170	52199UL	CABLING SWIVEL NECK, 3-WIRE, UL-VERSION	
117	86434180	52103	REED-SWITCH SWIVEL NECK	
118	86434190	5870ER	PCB POWER SUPPLY/CONTROLLER, 100-120V	
119	86440710	52009or	FOOT PEDAL V12XP, CPL., ORANGE	
120	86434210	52052	FELT STRIP	
121	86434220	52054	CABLE GUIDE	
122	86434780	52234lb	BRUSH ROLLER RELEASE BUTTON, R.H., VXP 12/15, LIGHT BLUE	
123	86434240	52112	SUPPORT MOTOR HOUSING	
124	86434250	52021	SUPPORT LEVER SR XPN	
125	86145460	5107-1	SUPPORT SPRING	
126	86434260	52102SW	AXLE ASSEMBLY, BLACK	
127	86434270	52032SW	BEARING BLOCK RIGHT HAND, SR XP12/15, BLACK	
128	86138810	5290WI	BRUSH ROLLER SET (INCL. POS. 138)	
129	86434280	52033ER	RELEASE RING BRUSH ROLLER, R.H. SR XP 12/15, W/ SPRING	
130	86440720	52196SW	CHASSIS V15XP, UL-VERSION, CPL., BLACK/ORANGE, INCL. POS. 120 & 123, W/O BUMPER	
131	86143570	5112SW	MOTOR PULLEY COVER	
132	86138240	5463	BELT 2MR-310-6	
133	86440730	52249lb	BRUSH ROLLER RELEASE BUTTON, L.H., V15XP, LIGHT BLUE	
134	86434380	52198ER	SENSOR SR XP15/18	
135	86005000	5110	BELT 219 3M-HDTII-6	
136	86434390	52248ER	RELEASE RING BRUSH ROLLER, L.H. SR XP 15/18, W/ SPRING	
137	86434400	52133SW	BRUSH COVER L.H., SR XP15/18, BLACK	
138	86434410	5815	EDGE BRUSH SR XP15/18, BLUE	
139	86145110	5246	SHAFT EXTENSION	
140	86434430	52131	SEALED BEARING	
141	86434440	52121	BEARING BLOCK , LEFT HAND, CPL., SR XP15/18	
142	86145080	5060ER	SERVO MOTOR WITH GEAR BOX *1 WITH CONNECTING CABLE 135MM	
143	86319380	5174SW	PILE ADJUSTMENT WHEEL, BLACK	
144	86137720	5172or	ACCESS DOOR, ORANGE (INCL. POS. 145 + 146)	

## Power Head - V15XP Continued

ITEM	PART NO.	REF NO.	DESCRIPTION	NOTES
145	86145330	5304	ACCESS DOOR SPRING	
146	86138000	5303	ACCESS DOOR AXLE	
147	86406140	5155SW	RUBBING PLATE, BLACK	
148	86146800	5402	WIRE TIE	
149	86434450	52120GS	REAR BOTTOM PLATE SR XP 15, GRAY BLACK, CPL. (INCL. POS. 150 + 165)	
150	86144950	5400-2	SEALING STRIP, 359,5MM	
151	86434460	52118GS	FRONT BOTTOM PLATE SR XP15, GRAY BLACK, CPL.	
152	86434470	52243SW	BUMPER SR XP 15, BLACK, 3 PCS.	
160	86321410	01029ER	SCREW C 2,9X16	
161	86144780	01016ER	SCREW STS 4,0X16 TX20	
162	86147170	0176ER	SCREW M4X30	
163	86397550	0104ER	SCREW C 3,9X25	
164	86147030	0102ER	SCREW 3,9X13	
165	86144850	0197ER	SCREW M4X12 Z1	

Wiring UL approved types  
 Trident type  
 HYVXP02  
 V15XP  
 120 V, 60 Hz, 3-wire

Third contact in US professional machines only  
 Troisième contact seulement dans machines professionnelles US  
 Tercer contacto en máquinas profesionales sólo para EE.UU.



\*Not available for professional series  
 \*Non disponible pour la série professionnelle  
 \*No disponible para la serie profesional

© SEBO S.p.A. & Co. 05/2018 RH

