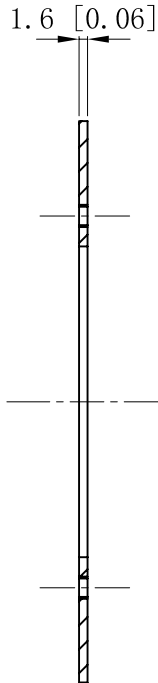
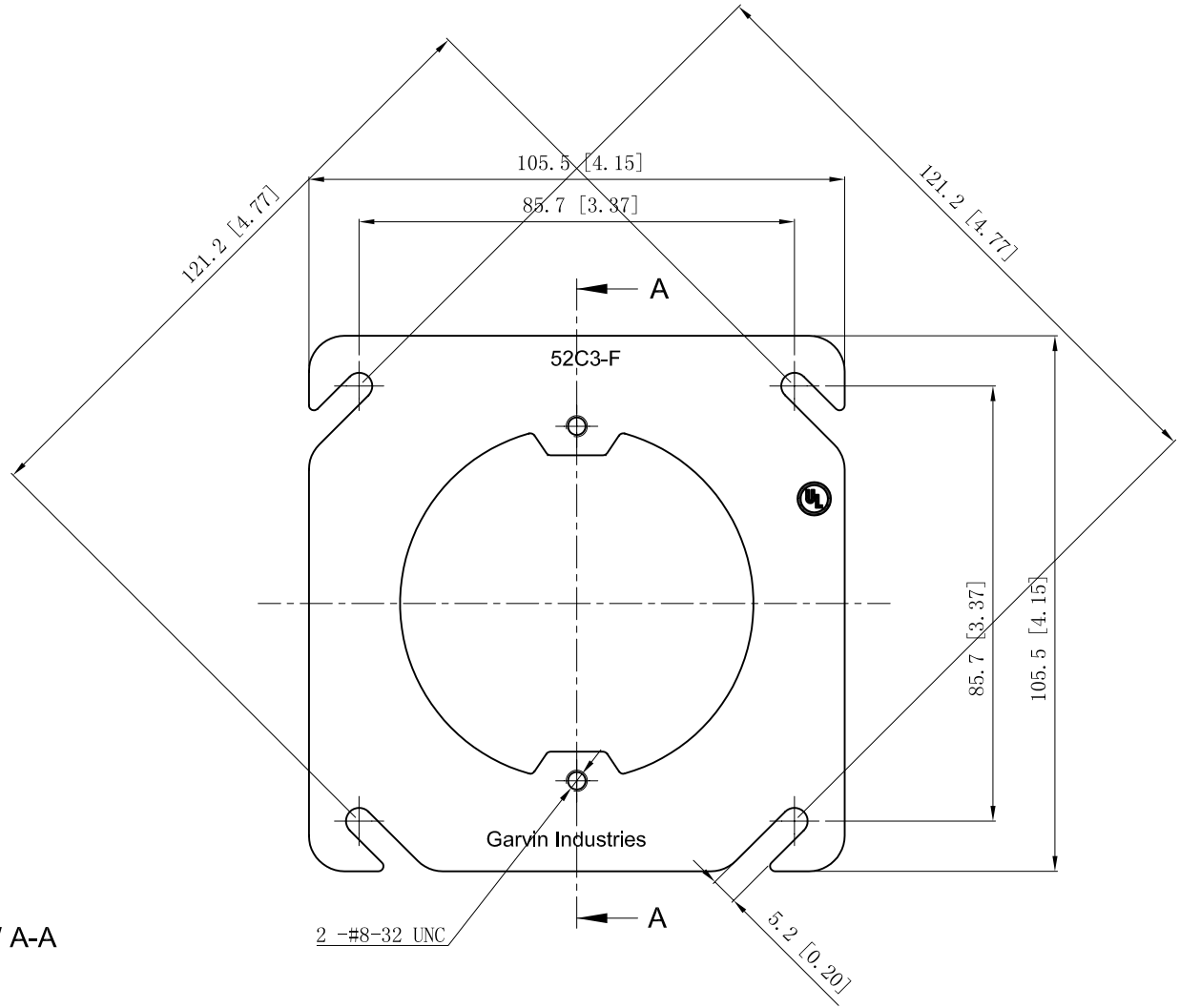


SIDES	BOTTOM
Material: Steel-0.0625"-G60 Galvanized	



CUTAWAY VIEW A-A



This data sheet is for reference only .GARVIN INDUSTRIES reserves the right to make changes to the design without prior notice.

DESCRIPTION
TRADE REFERENCE TERMS

STANDARD PACKING
50 PCS

TITLE		
GARVIN INDUSTRIES		
4" SQUQRE-TO-ROUND DEVICE RINGS		
SIZE	DWG NO.	REV
A4	52C3-F	A
DATA SHEET		