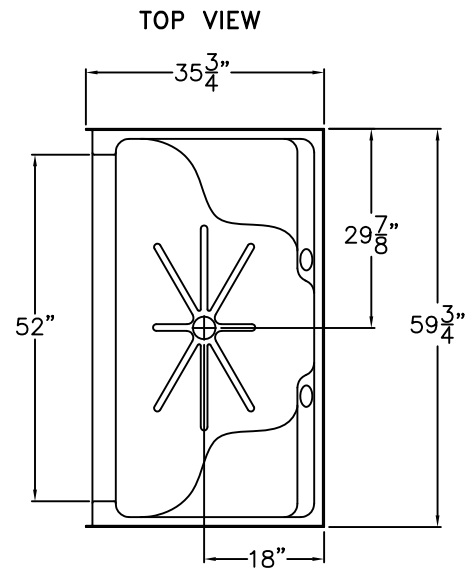
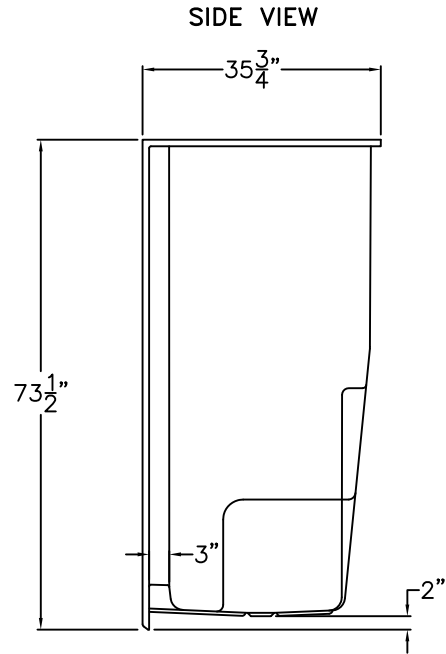
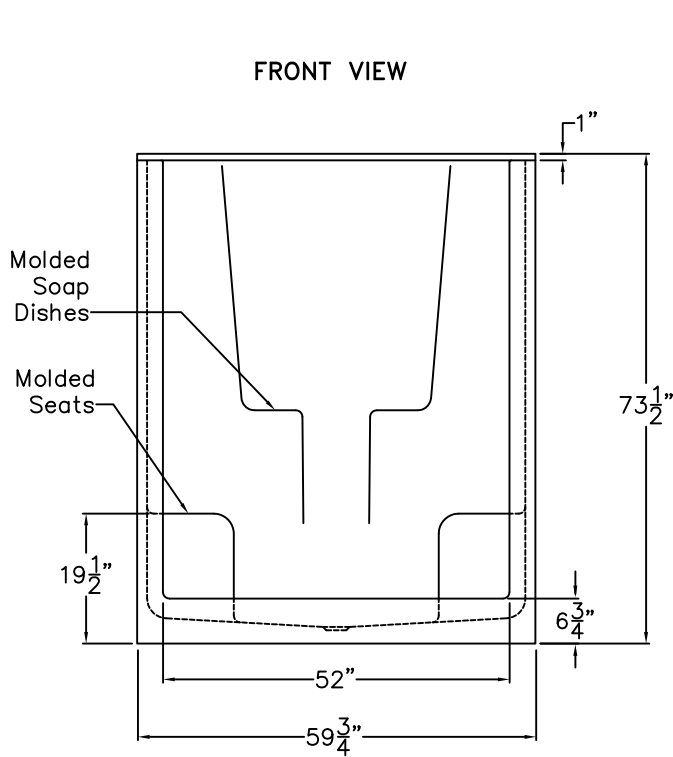


LUXURY GELCOAT SERIES

SUBMITTAL DATA



Smooth Wall Gelcoat Shower

The shower enclosure shall be Praxis Model S631 center. Finished surface shall be of a sanitary-grade polyester Gelcoat exhibiting a minimal thickness of 15 dry mils, and a finished cured Barcol hardness of 80-90 as tested with ASTM D-2583. Unit construction shall be of molded reinforced fiberglass with a 15% minimum fiberglass content. The base shall be attached to the sump of the unit in such a manner to form an integral part with an inner and outer coating of reinforced polyester resin. The unit shall meet HUD, FHA, BOCA, CSA B45.5, IAPMO Z124-11, Home Innovation Research Lab, UPC, and shall meet the requirements of the Southern Building Code.

The unit shall have outside dimensions of 59 3/4" x 35 3/4" x 73 1/2".

The enclosure shall be equipped with the following factory installed accessories:

- 1) Molded seats,
- 2) Molded soap dishes,
- 3) 6 3/4" Threshold.

DUE TO THE NATURE OF THE MATERIALS
DIMENSIONS MAY VARY ± 1/2"

Model:	PRAXIS	
Approved by Print Name:	Drawing#: S631	
Approved by Signature:	Date Approved:	Date: 7-18-96 Revised: 6-4-14
Rep.:	Wholesaler:	Quote No.:

PRAXIS INDUSTRIES, INC.
435 INDUSTRIAL RD - SAVANNAH, TN 38372
1 (800) 443-7269 - FAX (901) 925-4290