



PERRIN & ROWE<sup>®</sup> EDWARDIAN FILTRATION 2-LEVER KITCHEN FAUCET WITH SIDESPRAY

Perrin & Rowe<sup>®</sup> Filtration featuring "Triflow<sup>®</sup> Technology"

## U1570LS

### FEATURES

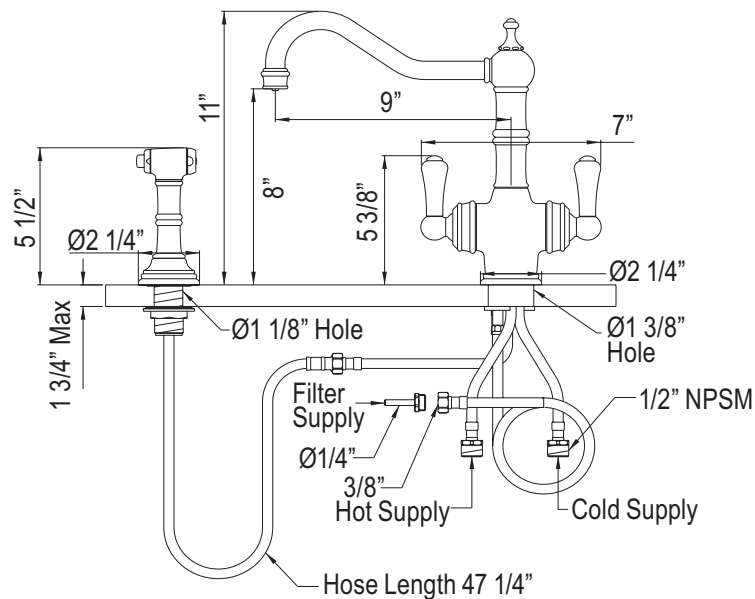
- Column spout
- Ceramic disc control cartridges
- Insulated brass sidespray
- 1 3/4" max. installation depth on deck
- Faucet made in England. Filter made in Switzerland.
- 9" reach swivel spout, 11" overall height
- Filtered water .5 GPM, hot and cold water 1.5 GPM at 45 PSI
- Left lever controls filtration, right lever controls hot/cold

### COLORS/FINISHES

- Polished Chrome
- Polished Nickel
- Satin Nickel
- English Gold\*
- English Bronze
- Satin English Gold\*
- Unlacquered Brass\*\*

### WARRANTY

- Limited Lifetime
- (\*) 5-Year Limited Warranty
- (\*\*) No Warranty



INSTALLATION INSTRUCTIONS

