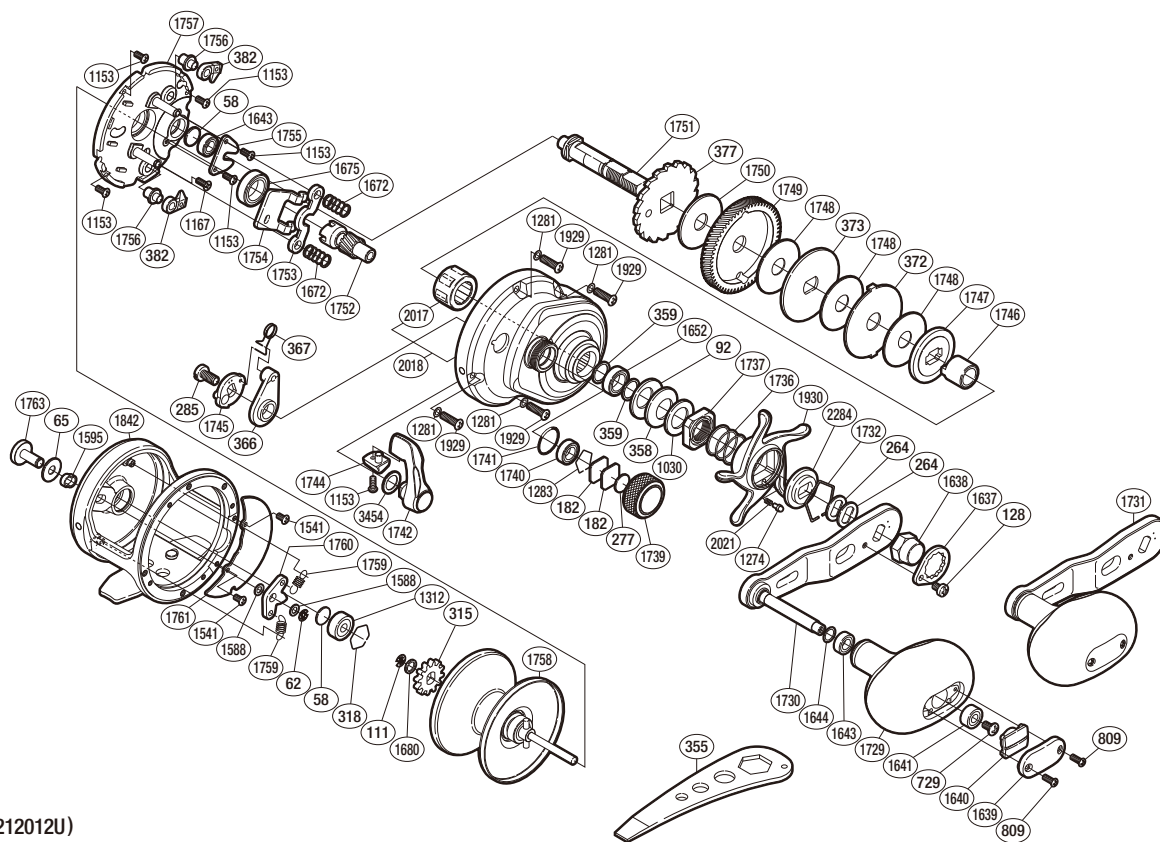


SHIMANO

TRINIDAD

TN-12A



(51RJ212012U)

#	Part No.	Description	#	Part No.	Description	#	Part No.	Description
58	10GEU	Spacer B	1312	10KAE	Ball Bearing	1747	10D56	Pressure Plate
62	105NK	E Lock	1541	10LVE	Screw	1748	10L8H	Drag Washer
65	104H2	Spacer	1588	10GA5	Spacer	1749	10QNP	Drive Gear
92	1052E	Coned Disc Spring (8H)	1595	104MS	Click Switch Cam	1750	10CLY	Drive Washer
111	105NJ	E Lock	1637	10QUA	Handle Nut Plate	1751	10D6M	Drive Shaft
128	10QG0	Screw	1638	10Q1L	Handle Nut	1752	10A7M	Pinion Gear
182	105N0	Cast Control Spacer	1639	108SQ	Handle Knob I.D. Plate	1753	10484	Yoke
264	107QQ	Drive Shaft Shield	1640	10B97	Handle Knob Seal	1754	1045L	Clutch Plate
277	10896	Cast Control Spacer	1641	10KX1	Ball Bearing	1755	109VJ	Drive Shaft Retainer
285	10F8M	Screw	1643	105BP	Ball Bearing	1756	10PFR	Anti-Reverse Pawl Pin
315	104F1	Click Gear	1644	10HV3	Washer	1757	105WS	Set Plate
318	10GGM	Bearing Retainer	1652	10EX8	Ball Bearing	1758	10ENE	Spool Assembly
358	10EW3	Coned Disc Spring (8L)	1672	104C3	Yoke Spring	1759	104B1	Click Pawl Spring
359	105PW	Bearing Thrust Washer	1675	10KX7	Ball Bearing	1760	10GQX	Click Pawl
366	10L2B	Eccentric Cam Bushing	1680	10HWX	Washer	1761	10QCE	Set Plate Sticker
367	10JYZ	Clutch Spring	1729	105ZC	Handle Knob	1763	104GY	Click Button
372	10KQH	Eared Washer	1730	109WQ	Handle Shank Assembly	1842	10KBU	One-Piece Frame
373	10L54	Key Washer	1731	102VP	Handle Assembly	1929	10M2V	Screw
377	10DAG	Anti-Reverse Ratchet	1732	10KXV	Click Plate Retainer	1930	106YG	Star Drag
382	10MW8	Anti-Reverse Pawl	1736	10A75	Star Drag Spring	2017	10F3D	Roller Clutch Bearing
729	103E9	Screw	1737	10A3C	Star Drag Nut	2018	109G5	Right Side Plate
809	103NH	Screw	1739	10KWN	Cast Control Cap	2021	10988	Click Spring
1030	10BR2	Star Drag Washer	1740	104JS	Ball Bearing	2284	10J26	Star Drag Click Plate
1153	10LVJ	Screw	1741	10LAF	O Ring	3454	10RJS	Washer
1167	10MGL	Screw	1742	10876	Clutch Lever			
1274	10BT0	Click Pin	1744	10C65	Clutch Lever Protector			
1281	10J4B	Washer	1745	1084J	Clutch Cam			
1283	10GEW	Bearing Retainer	1746	10BPF	Roller Clutch Inner Tube	355	10MJ2	Wrench (Accessory)

Please note that the number of adjusting washers may not be the same as shown in the exploded views. (Adjustment will vary with each individual product.)

(241209)_007