

VP6030CTML/R 60 x 30 Veritek™ Pro Bathtub

Model number:

VP6030CTML.010

Dimensions: 60" x 30" x 18"

Installation: Alcove

Material: Veritek™ Pro



Standard Features:

- Light weight, durable construction
- Installed Direct to Stud
- Curved lines for a timeless design
- Durable Matte Finish
- 15 Year Residential Limited Warranty

Product characteristics:

- Coordinating wall set available
- Above-the-Floor Rough (AFR)
- Easy Installation

Standard Colors:



White

Certifications

SWAN products adhere to one or more of the following certifications:



VP6030CTML/R 60 x 30 Veritek™ Pro Bathtub

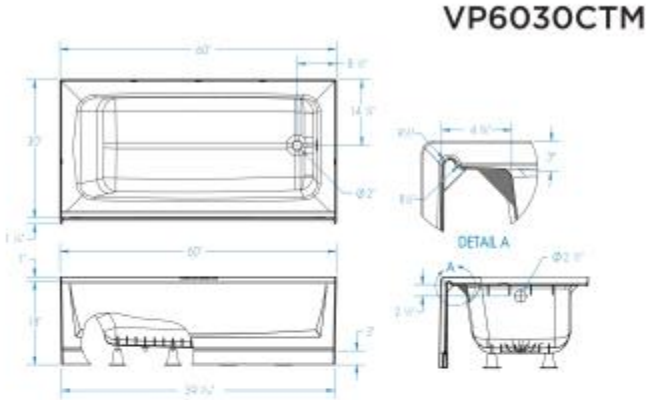
Model number:

VP6030CTML.010

Dimensions: 60" x 30" x 18"

Installation: Alcove

Material: Veritek™ Pro



Dimensions

60 x 30 x 18 In.
(1524 x 762 x 457 mm)

Water Capacity

37 gallons

Weight

54 lbs - 24 kg

Drain location:

Left

Right

Project: _____

Contractor: _____

Representative: _____

Date: _____

Tel: _____

Notes: _____

