

# Saramonic

Sound.Remarkable. 

Cardioid Dynamic Vocal Microphone

专业人声舞台有线麦克风

## SR-MV58

User Manual

用户手册

## Statement

Thank you for purchasing Saramonic!

Please read this manual carefully before using and strictly operate and store in accordance with the instructions. Please save it for future reference.

If the user manual can not help you to solve problems, please ask your retailer for further assistance or email us: [info@saramonic.com](mailto:info@saramonic.com).

## Tips and Notes

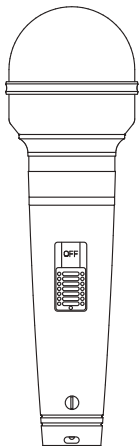
1. Please keep the microphone away from dust and water.
2. Please do not replace any components inside the microphone on your own.
3. Please keep it away from children and pets.
4. Avoid any liquid into the unit.
5. Only use a soft, dry cloth to clean the product.

## Introduction

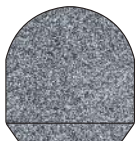
The SR-MV58 is a cardioid dynamic vocal handheld microphone. It's your ideal choice for capturing vocal and speech performance in applications like live shows, theaters, rehearsals, meetings, etc.

Compact design allows easy assembling on any device with a 6.35mm mic jack. With cardioid polar pattern, it is focused on picking up sound in front of the microphone and effectively reduces unwanted background noise. In addition, a microphone clip, XLR cable and foam windshield are included.

## Package Contents



Cardioid Dynamic  
Microphone



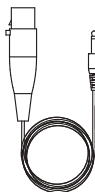
Foam Windshield



Zip Pouch



Warranty Card



5m XLR Female to 6.35mm  
Male Adapter Cable



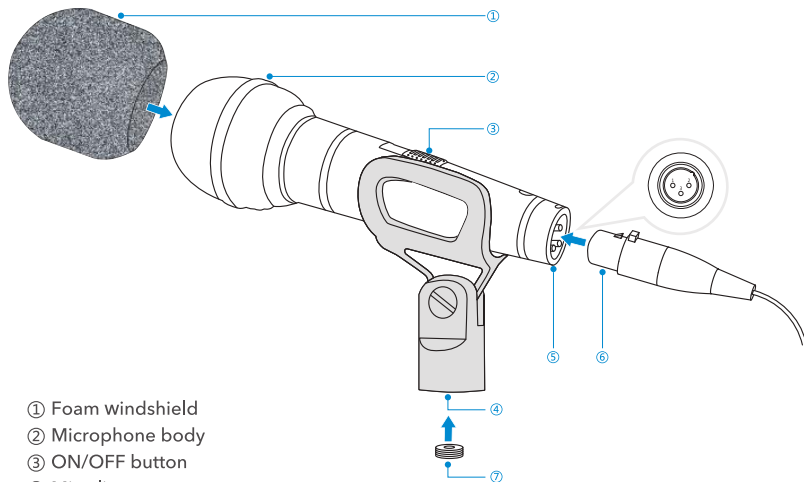
5/8" to 3/8"  
Mic Clip



User Manual

## Components / Operations

1. Attach the microphone to the supplied mic clip;
2. Connect the XLR female plug to the mic as picture shows,  
Connect the 6.35mm male plug into an external recording device;
3. Switch the button to "on" and start recording.



- ① Foam windshield
- ② Microphone body
- ③ ON/OFF button
- ④ Mic clip
- ⑤ XLR 3-pin connector
- ⑥ 5m XLR female to 6.35mm male adapter cable
- ⑦ 5/8" to 3/8" screw adapter

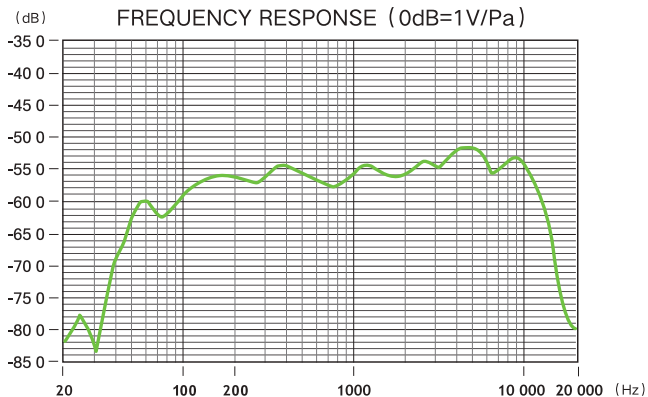
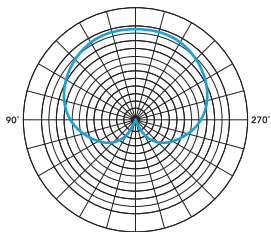
## Specifications

Acoustic Principle	Dynamic
Polar Pattern	Cardioid
Frequency Response	35-15,000Hz
Sensitivity	-51±3dB
Output Impedance	600Ω
Output Connector	XLR
Dimensions	Φ52*175mm(2.05x6.89")
Weight	289g

## Features

- High quality cardioid dynamic vocal microphone
- Ideal for professional vocal use such as singing and speech
- Durable zinc alloy body
- No need for additional batteries or phantom power
- XLR cable, mic clip and foam windshield included

## Polar Pattern



## 声明

感谢您选择枫笛!

请在使用前仔细阅读本手册，并严格按照说明进行操作和存储。请妥善保存好说明书以供将来参考。如果用户手册不能帮助您解决某些问题，请向零售商寻求帮助或给我们发送电子邮件：[info@saramonic.com](mailto:info@saramonic.com)。

## 注意事项

- 在使用和储存时，请注意防尘和防潮。
- 请勿篡改或改变麦克风的内部组件。
- 将设备放在儿童和宠物接触不到的地方。
- 避免任何液体进入设备内部。
- 只用干燥的软布清洁产品。

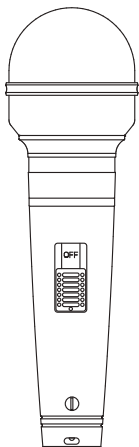
## 简介

Saramonic SR-MV58是一款功能丰富的心形动圈人声话筒，能够再现饱满清晰的人声，是录音、歌唱、主持的理想选择。

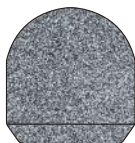
均匀的心形指向性能够隔离主要音源并在最大程度上降低背景噪音。

锌合金外壳坚固耐用。此外，产品还配备了麦克风支架，卡侬线以及防风海绵等。

## 包装清单



麦克风



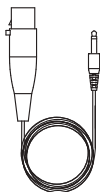
防风海绵



拉链包



保修卡



转接线



麦克风支架  
(配5/8"转3/8"转接螺母)

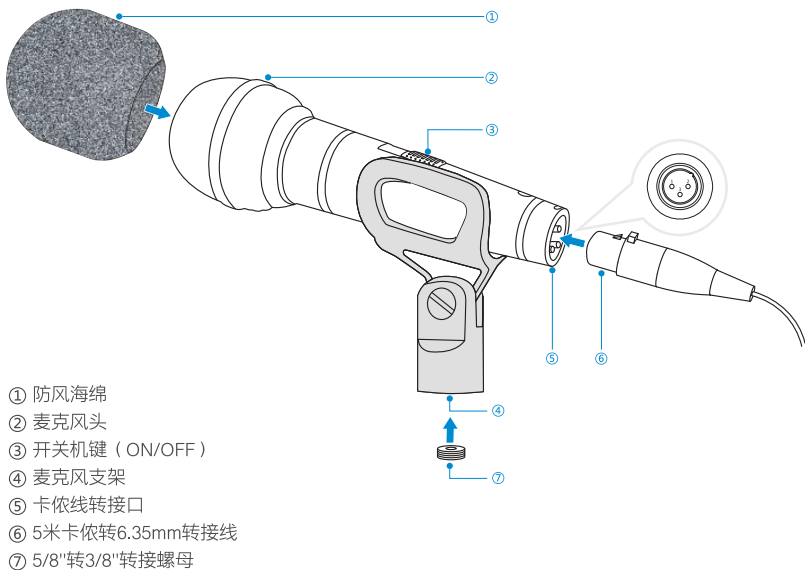


说明书



## 产品结构 / 安装

1. 将麦克风固定在支架上。
2. 接入转接线，卡侬的一端接入SR-MV58转接口中，6.35毫米的接口接入外部设备。
3. 将开关机键拨置ON，开始使用SR-MV58进行收音。



## 参数

声学原理	动圈
极性模式	心形
频率响应	35 – 15,000Hz
灵敏度	-51 ± 3dB
输出阻抗	600 Ω
输出接口	XLR
尺寸	Φ52*175mm
重量	289g

## 产品特点

专门为人声量身打造的专业产品

非常适合录音、歌唱、主持

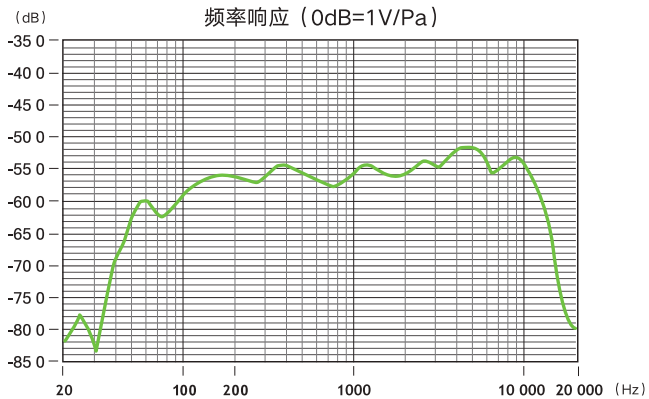
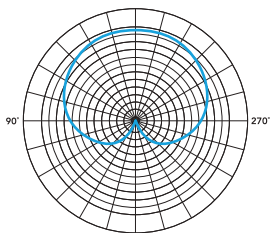
均匀的心形指向性拾音清晰，有效抗干扰

不需要额外的电池或幻象电源

锌合金外壳坚固耐用

配有麦克风支架、卡侬转接线以及防风海绵

# 极性模式





Scan the QR code and follow us!  
扫描微信关注枫笛公众号!

---

**Shenzhen Jiayz Photo Industrial., Ltd**  
深圳市长丰影像器材有限公司

A16 Building, Intelligent Terminal Industrial Park of Silicon Valley  
Power, Guanlan, Longhua District, Shenzhen, China  
深圳市龙华区观澜街道大富工业区硅谷动力智能终端产业园 A16 栋

☎ 400-613-1096

🌐 [www.saramonic.com](http://www.saramonic.com)

✉ [info@saramonic.com](mailto:info@saramonic.com)