

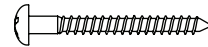
REQUIRED TOOLS:

- Electric Drill
- Drill Bit: 1/8" and 1/2" Sizes
- Phillips Head Screwdriver

INCLUDED HARDWARE + TOOLS:



#10-24 x 1.75" Machine Screw (x2)



#8 x 1.75" Wood Screw (x2)

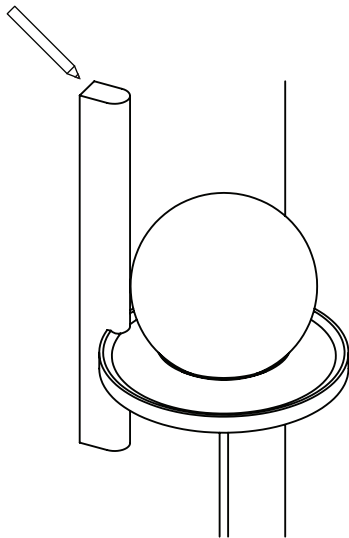


Zip Toggle (x2)

Mounting Template (x1)

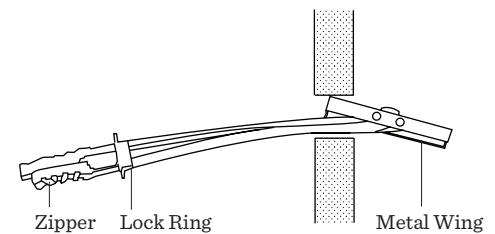
INSTALLATION INSTRUCTIONS

1. Hold Sconce against wall in mounting location. With a pencil, mark top/center of Fixture.

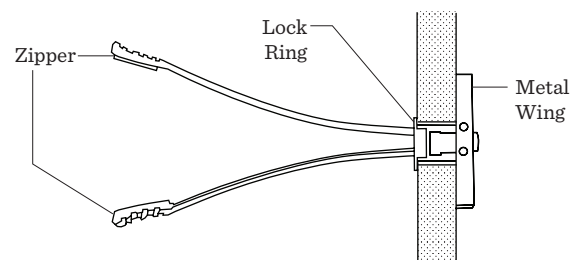


2. Align Point A on enclosed Mounting Template with pencil mark on wall. Attach Template securely to wall using low tack tape.
3. Determine wall substrate behind points B and C. For stud locations, proceed to Step 4. For non-stud locations, skip to Step 5.
4. For stud locations, drill through drywall and into stud at points B and C using 1/8" Drill Bit.

5. For non-stud locations, drill through drywall at points B and C using 1/2" Drill Bit. Remove Mounting Template and install Zip Toggles as follows.
6. Push Metal Wing end of Zip Toggle through drywall while holding Zipper end of Zip Toggle.

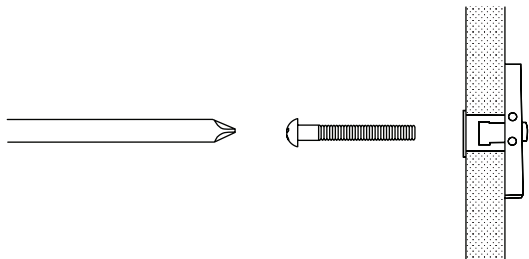


7. When Metal Wing flips back into the open position, push Lock Ring up tight against wall and separate Zipper halves. Zippers will break off against Lock Ring.

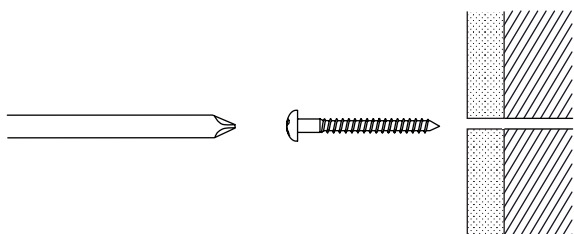


- Thread Machine Screws into Lock Rings and/or Wood Screws into pre-drilled holes. Tighten with Phillips Head Screwdriver leaving screwheads 1/4" from wall.

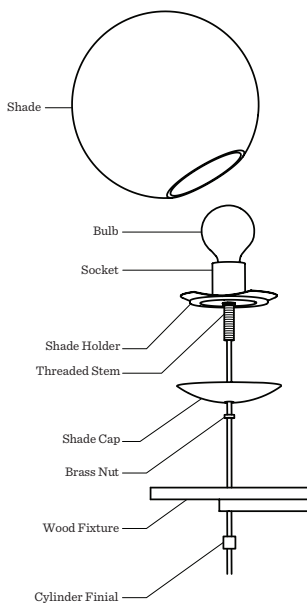
.....
Non-stud Location



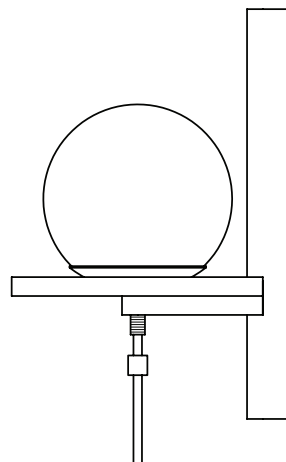
.....
Stud Location



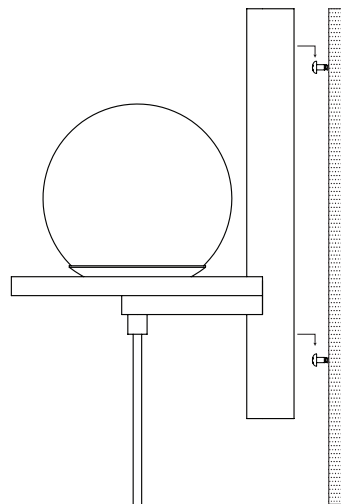
- Install Bulb prior to installing the Shade. We recommend wearing protective gloves and safety glasses. Unscrew the Brass Nut below the dome-shaped Shade Cap. Slide Brass Nut and Shade Cap downwards.



- Tip the shade at an angle and carefully slide the Shade opening around Bulb, Socket, and Shade Holder.
- Gently settle shade onto Shade Holder so that the circular part of the holder fits into the shade opening.
- Lower the Shade Cap down so that the Threaded Stem fits through the hole in the center. Screw on the Brass Nut.



- Insert the Threaded Stem with assembled Shade through the center hole of the Wood Fixture. Screw on the Cylinder Finial.



- Align keyholes on back of Sconce with Screws and slide Sconce down to mount. If Sconce is loose, remove from wall and tighten Screws. Install Sconce again to check fit. Repeat as necessary.

Enfield Plug-In Sconce

MOUNTING TEMPLATE

