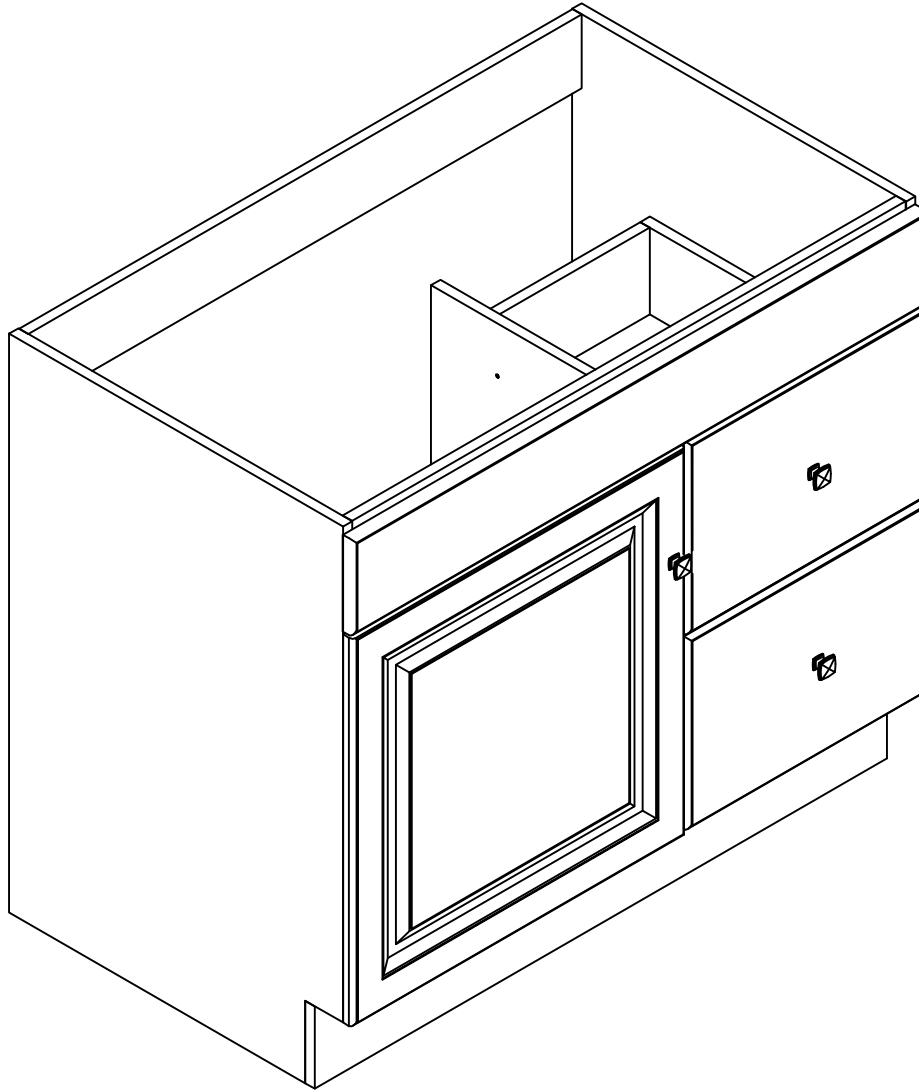




www.todaysdesignhouse.com

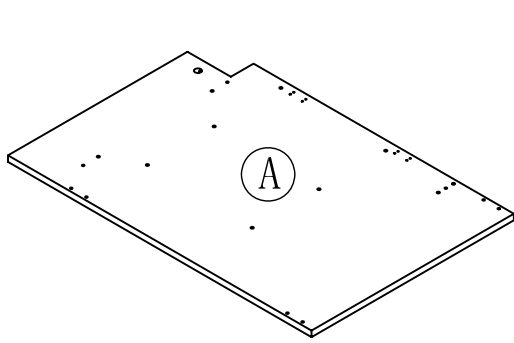


597195 • 597203 • 597211

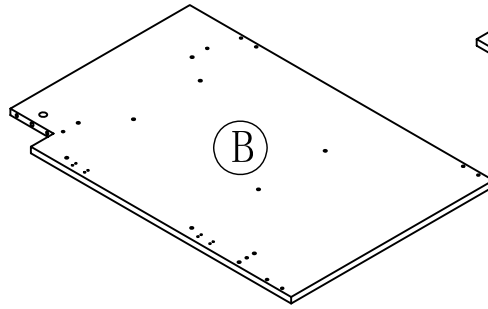
ASSEMBLY INSTRUCTIONS

DHI Corp. • 5205 W. Donges Bay Rd. • Mequon, WI 53092 • 800.558.8700

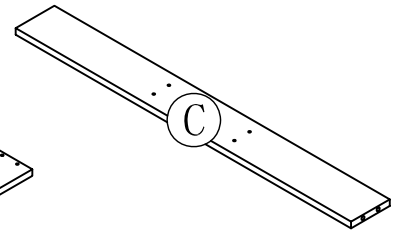
PARTS LIST:



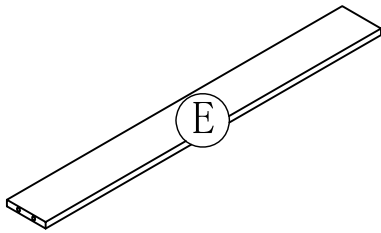
LEFT SIDE PANEL 1PC



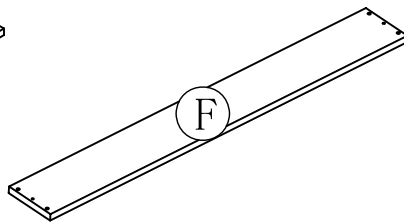
RIGHT SIDE PANEL 1PC



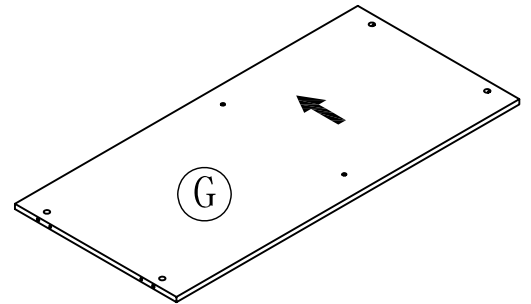
LOWER BACK CROSS BRACE 1PC



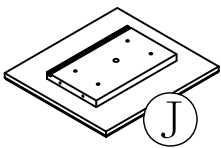
UPPER BACK CROSS BRACE 1PC



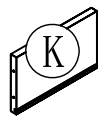
TOE KICK PANEL 1PC



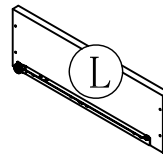
BOTTOM PANEL 1PC



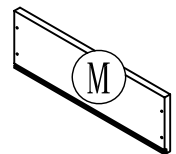
DRAWER FRONT PANEL 2PCS



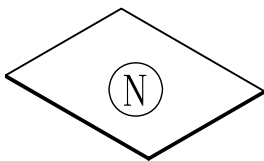
DRAWER BACK PANEL 2PCS



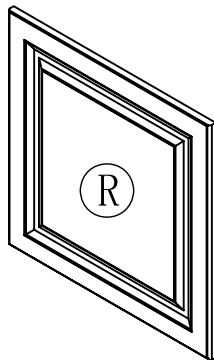
DRAWER LEFT SIDE PANEL 2PCS



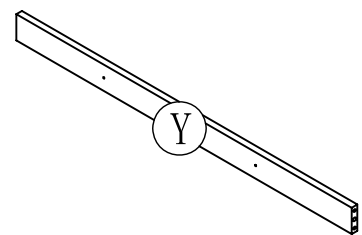
DRAWER RIGHT SIDE PANEL 2PCS



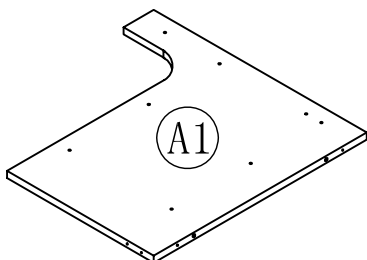
DRAWER BOTTOM PANEL 2PCS



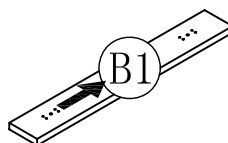
DOOR 1PC



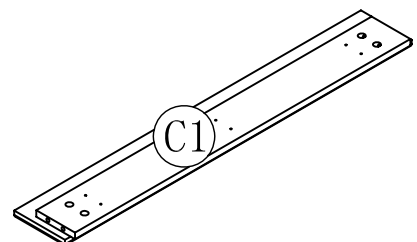
FRONT CROSS BRACE 1PC



BIG PARTITION 1PC



SMALL PARTITION 1PC

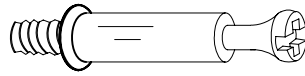


FALSE DRAWER FRONT 1PC

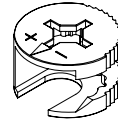
HARDWARE LIST:



a. WOOD DOWEL 14PCS



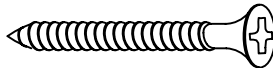
b. CAM LOCK SCREW
20PCS



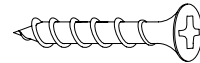
c. CAM LOCK 20PCS



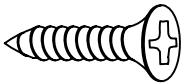
d. 1" L WOOD SCREW 4PCS



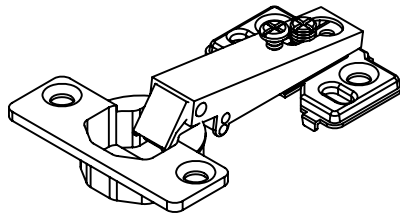
e. 1-1/2" L WOOD
SCREW 19PCS



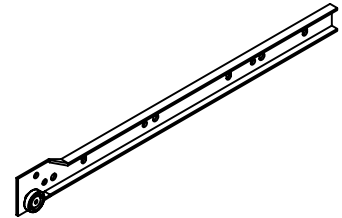
f. 5/8" L FLAT HEAD
SCREW 12PCS



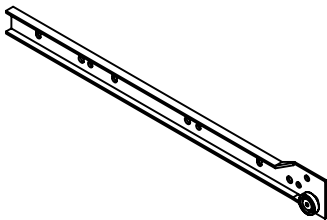
g. 1/2" L WOOD
SCREW 12PCS



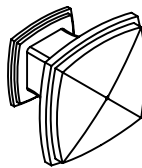
h. HINGE 2PCS



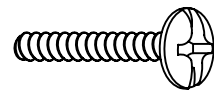
i. LEFT SIDE DRAWER
GLIDE 2PCS



j. RIGHT SIDE DRAWER
GLIDE 2PCS



l. KNOB 3PCS



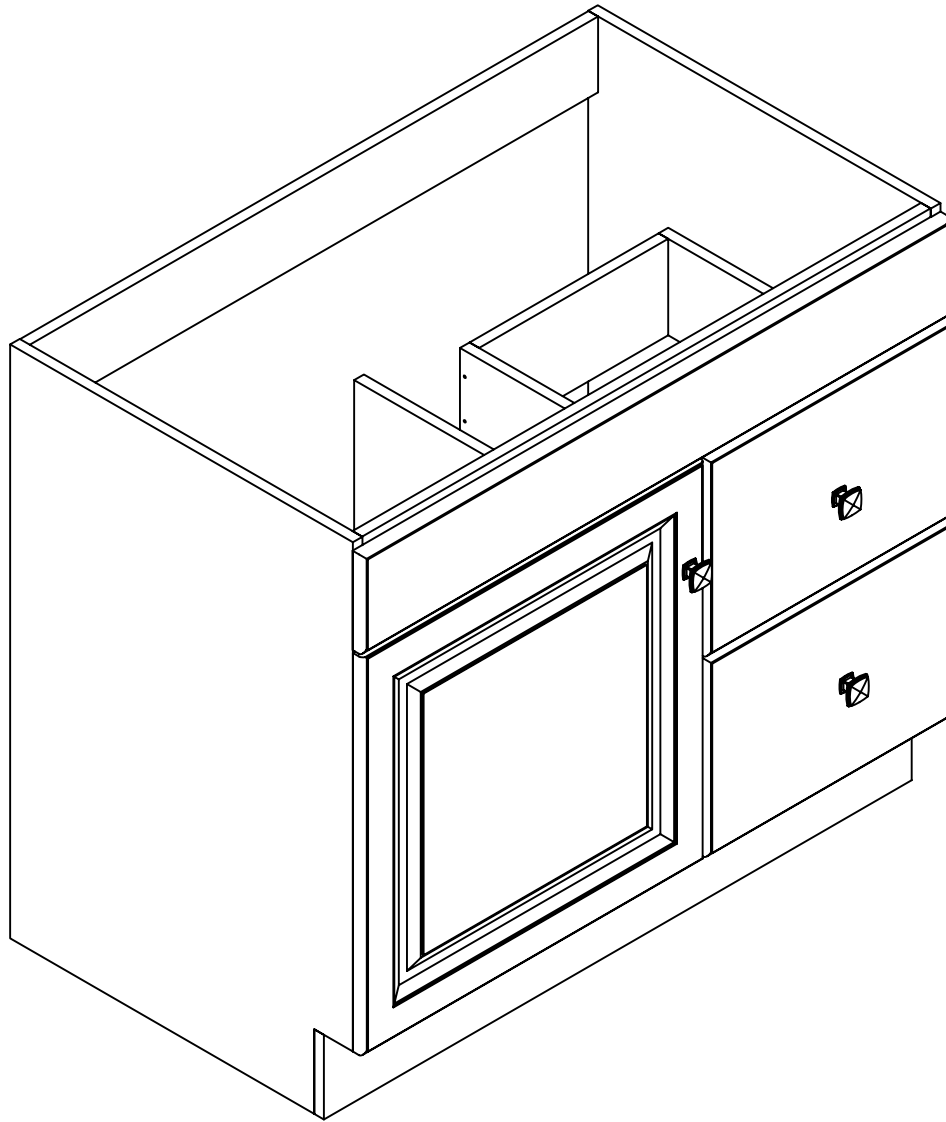
n. KNOB BOLT 3PCS



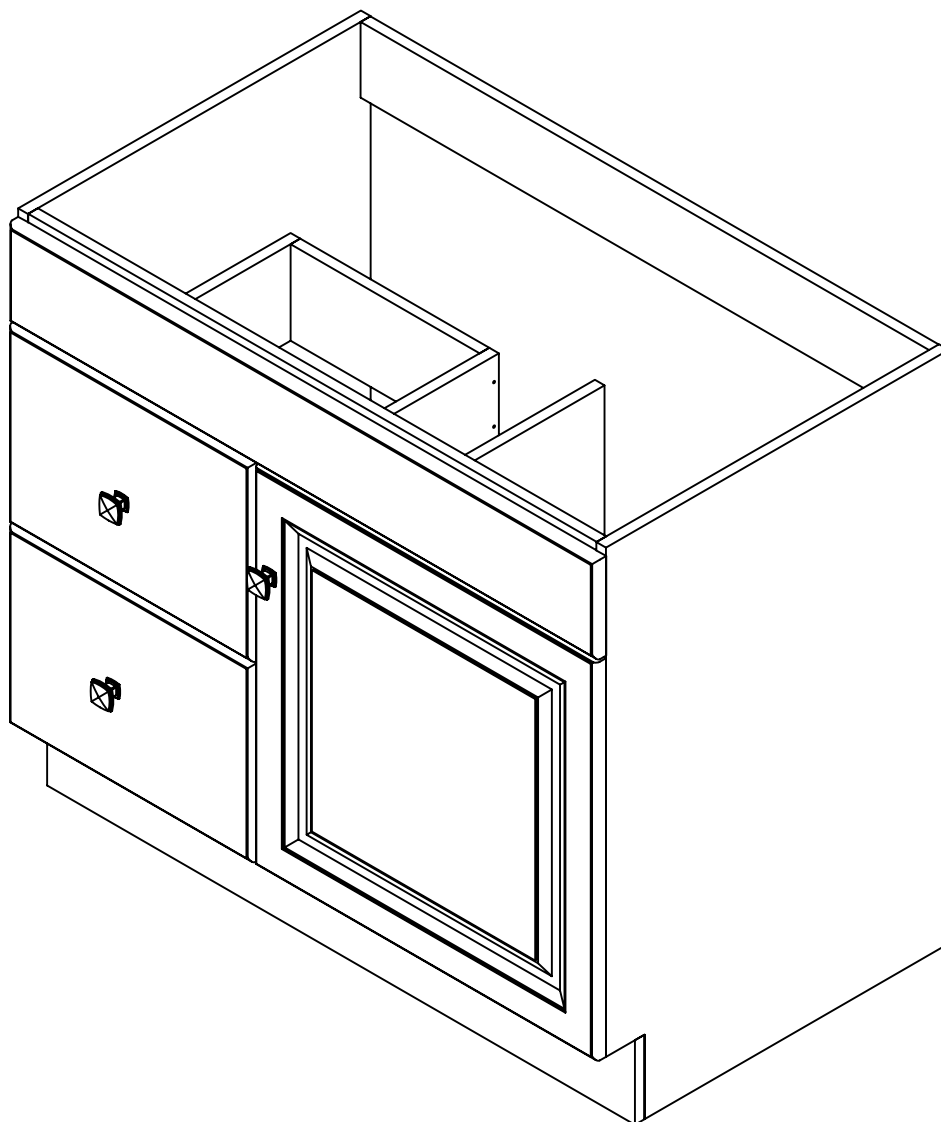
o. WRENCH 1PC



p. GLUE 1PC

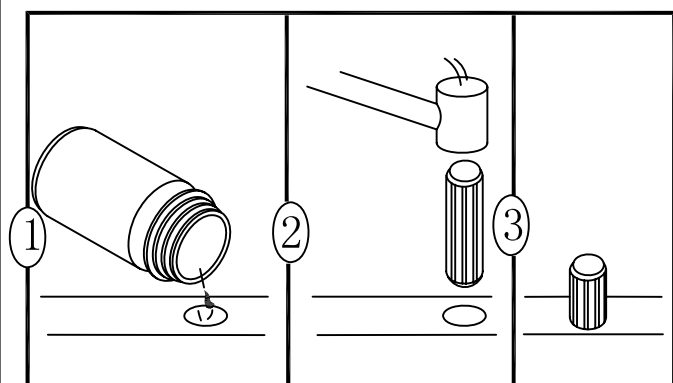
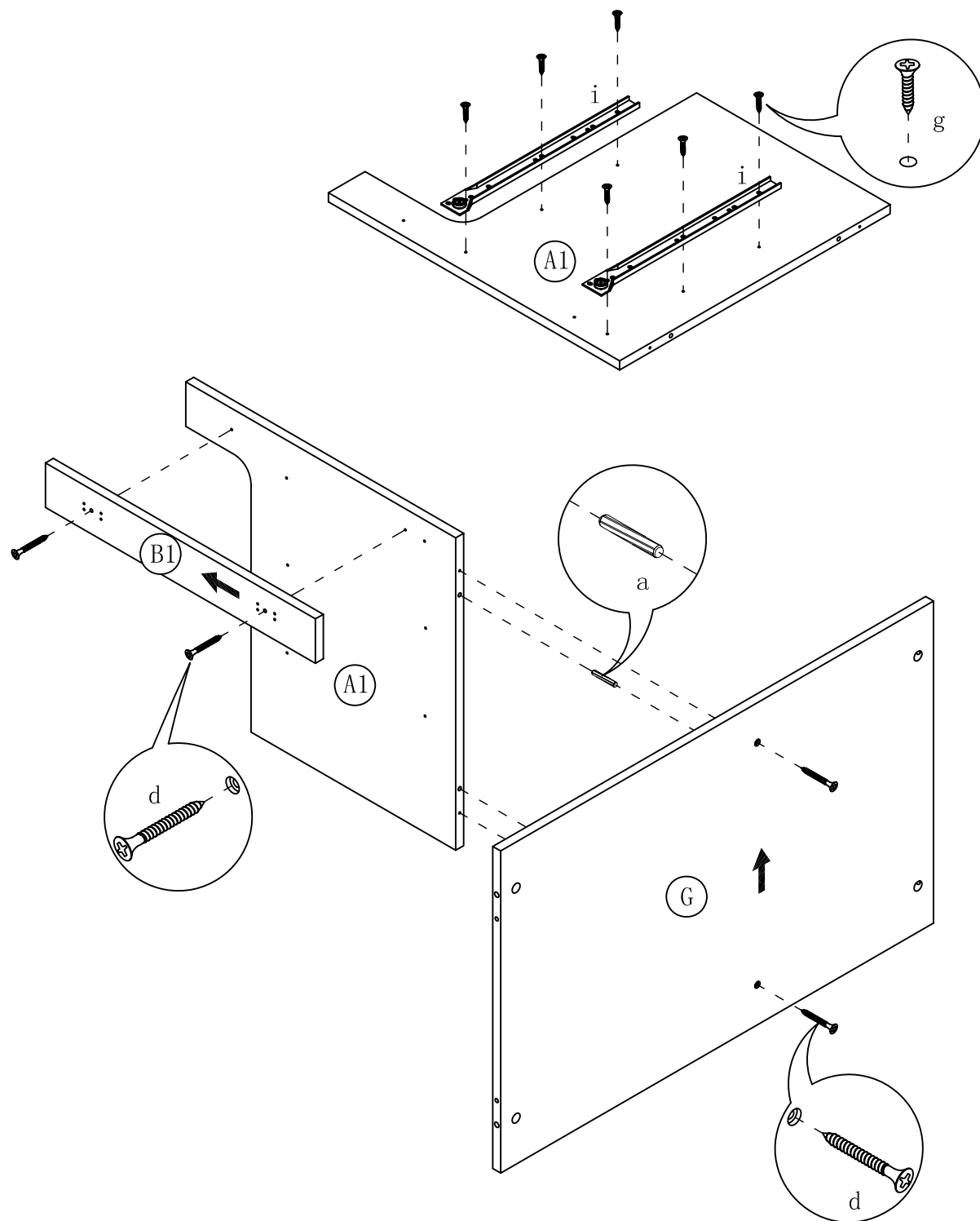


FOLLOW STEPS 1~10 TO INSTALL THE DOOR
ON THE LEFT SIDE AND THE DRAWERS ON THE
RIGHT SIDE

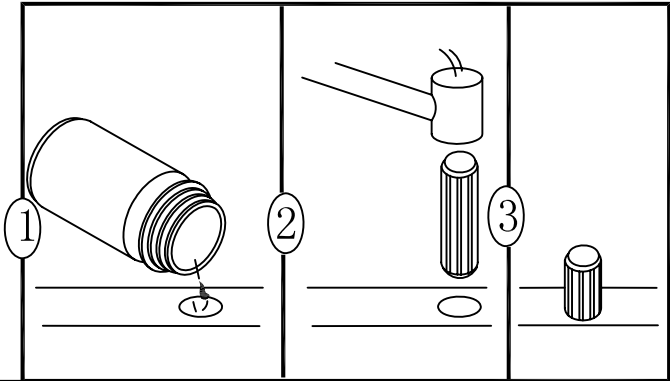
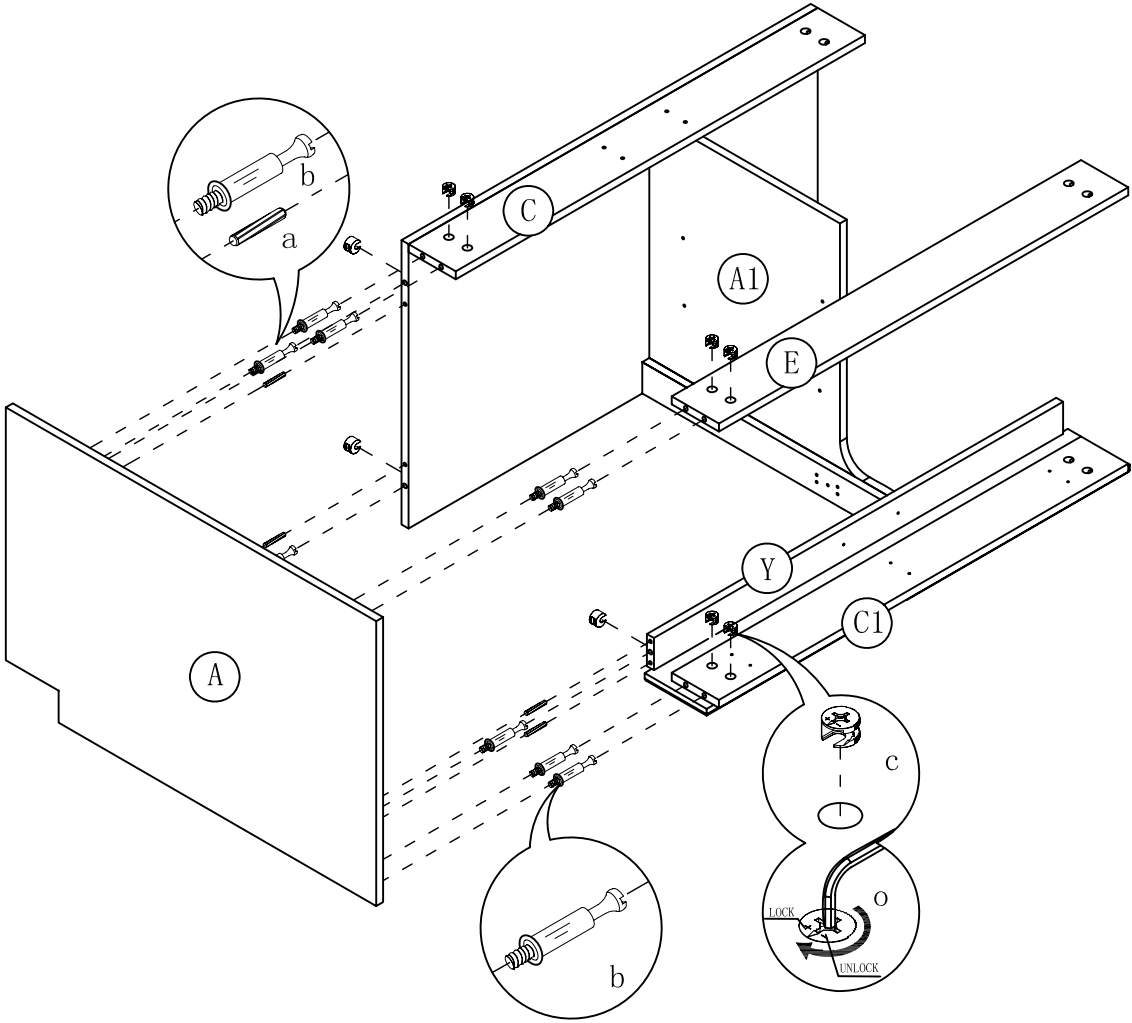


FOLLOW STEPS 11~20 TO INSTALL THE DOOR
ON THE RIGHT SIDE AND THE DRAWERS ON THE
LEFT SIDE

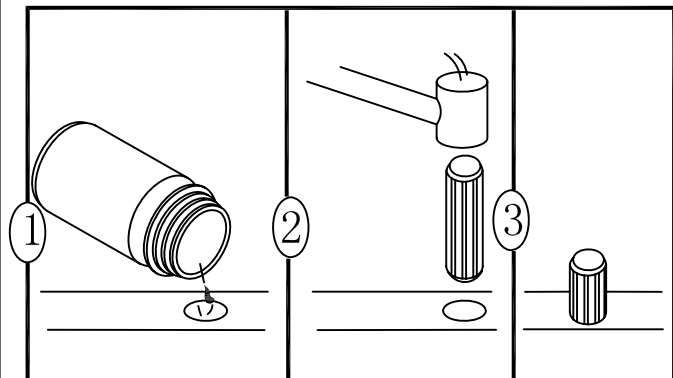
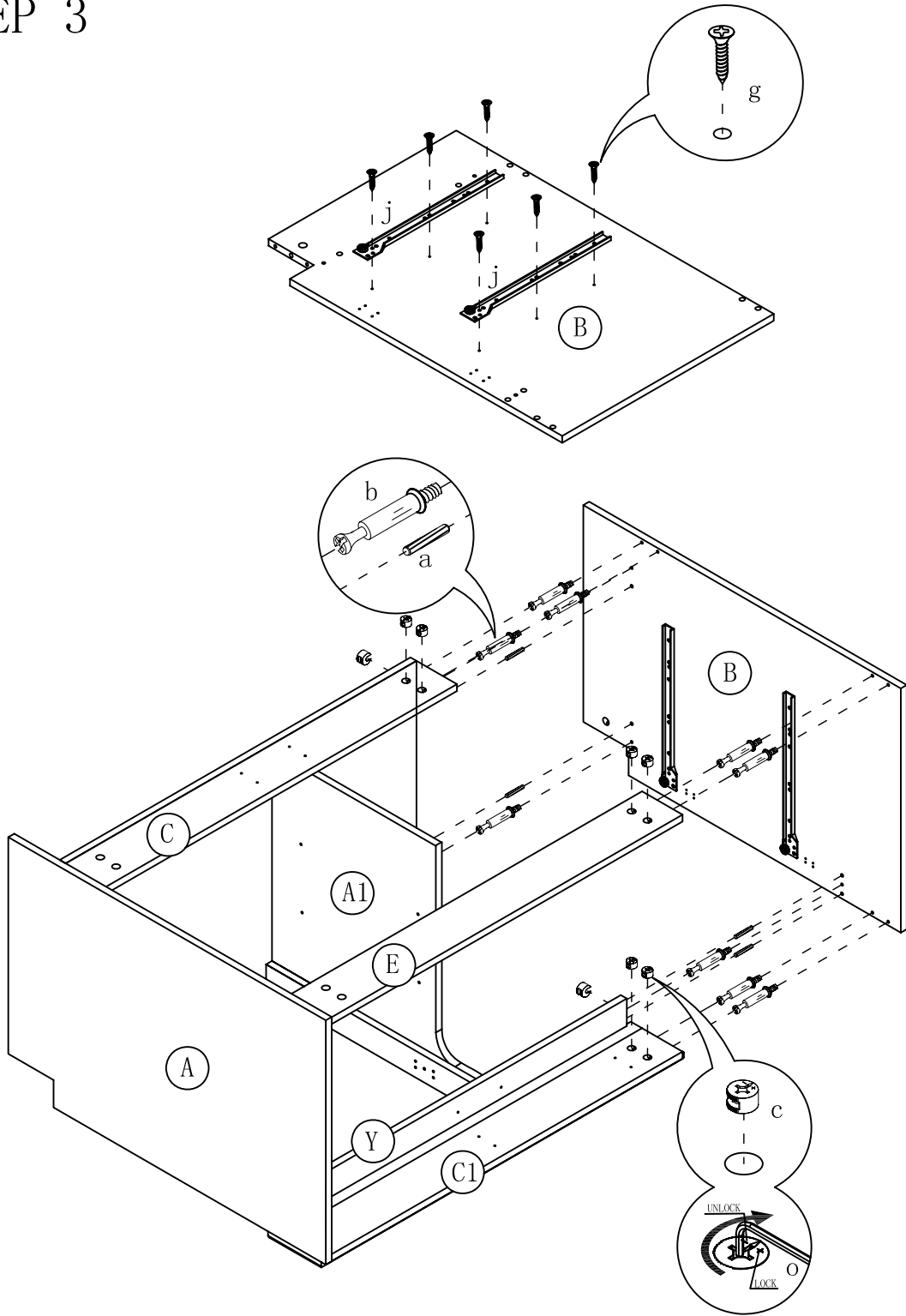
STEP 1



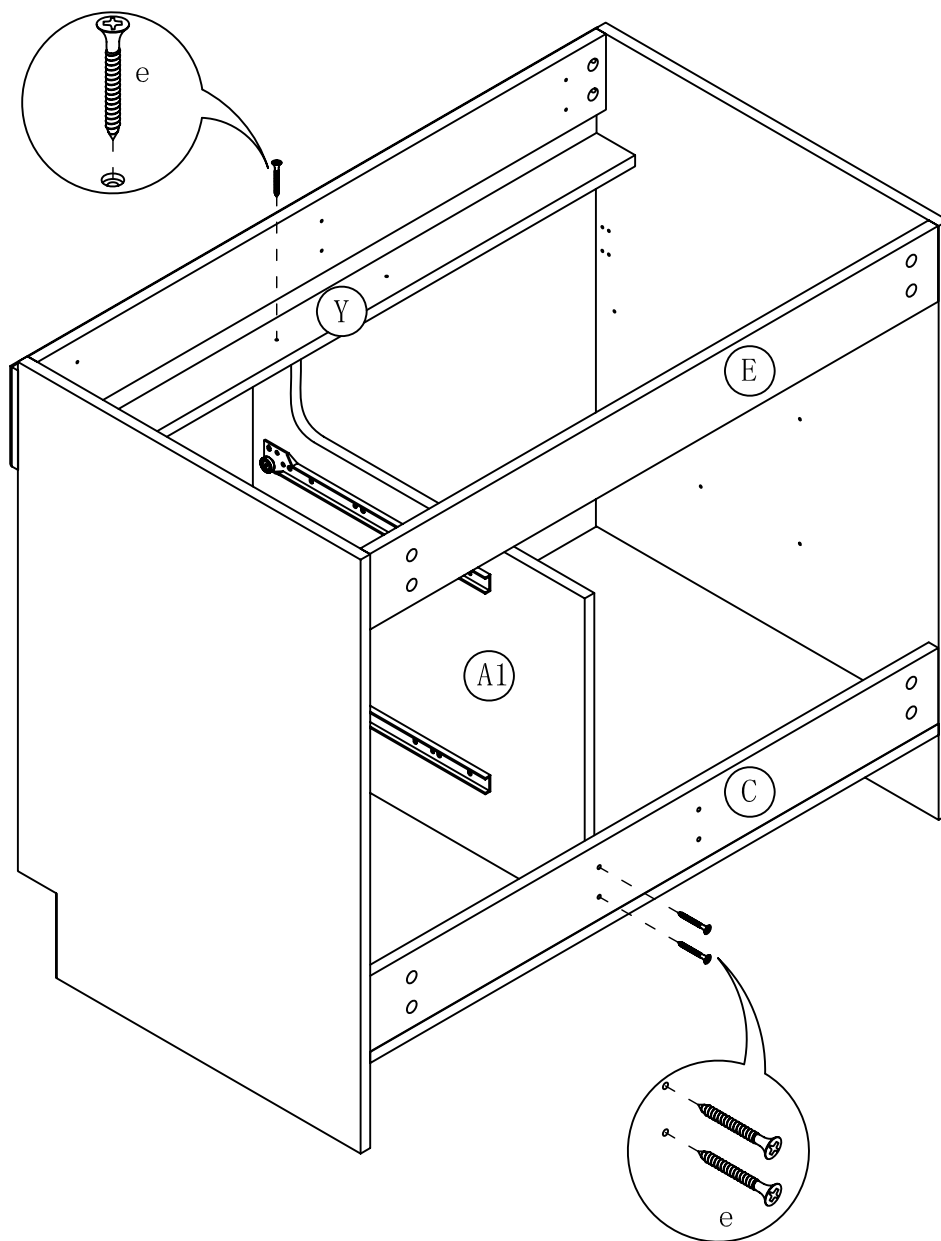
STEP 2



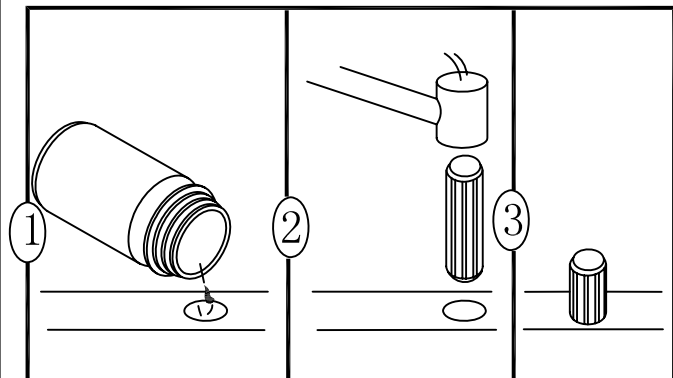
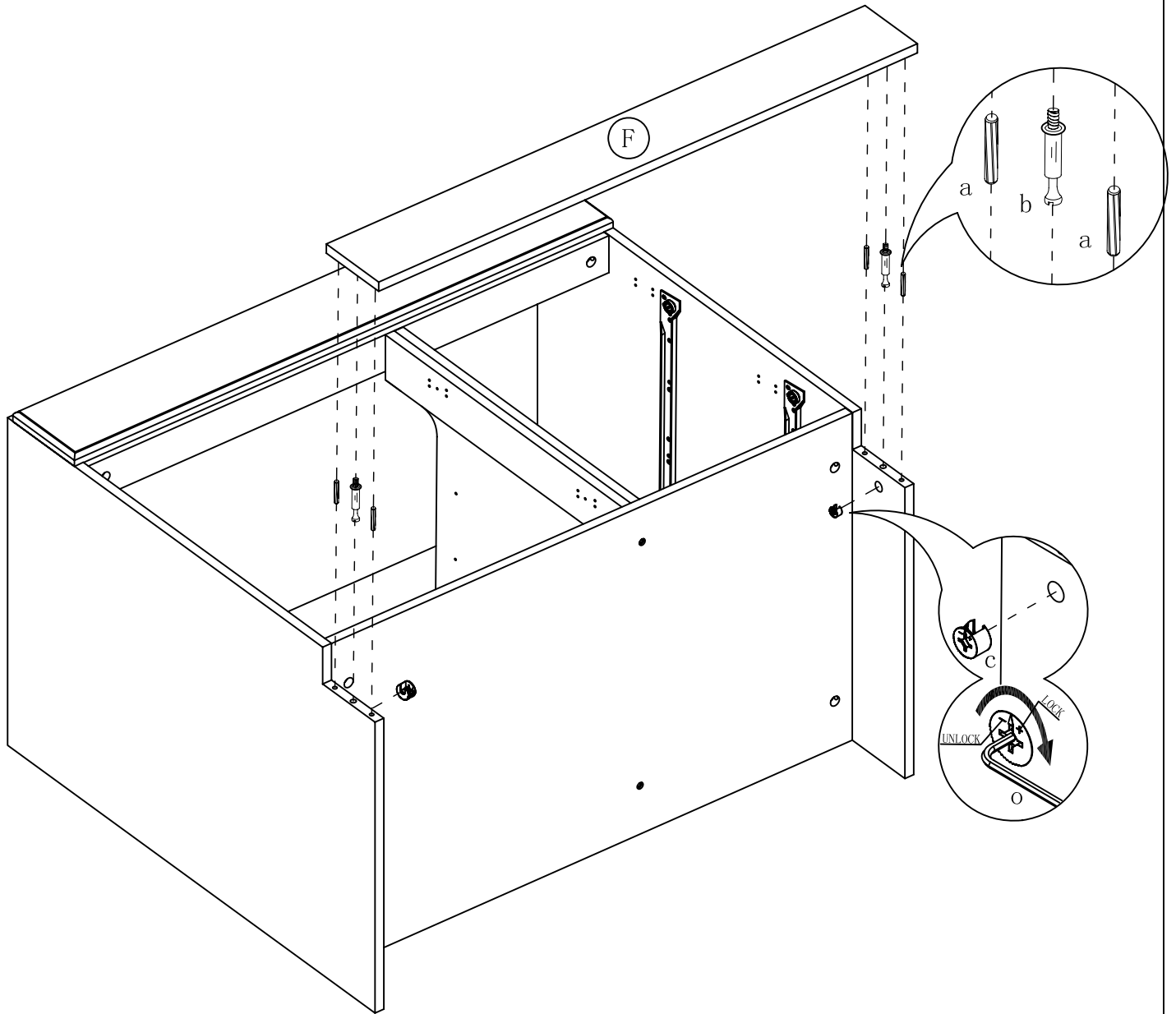
STEP 3



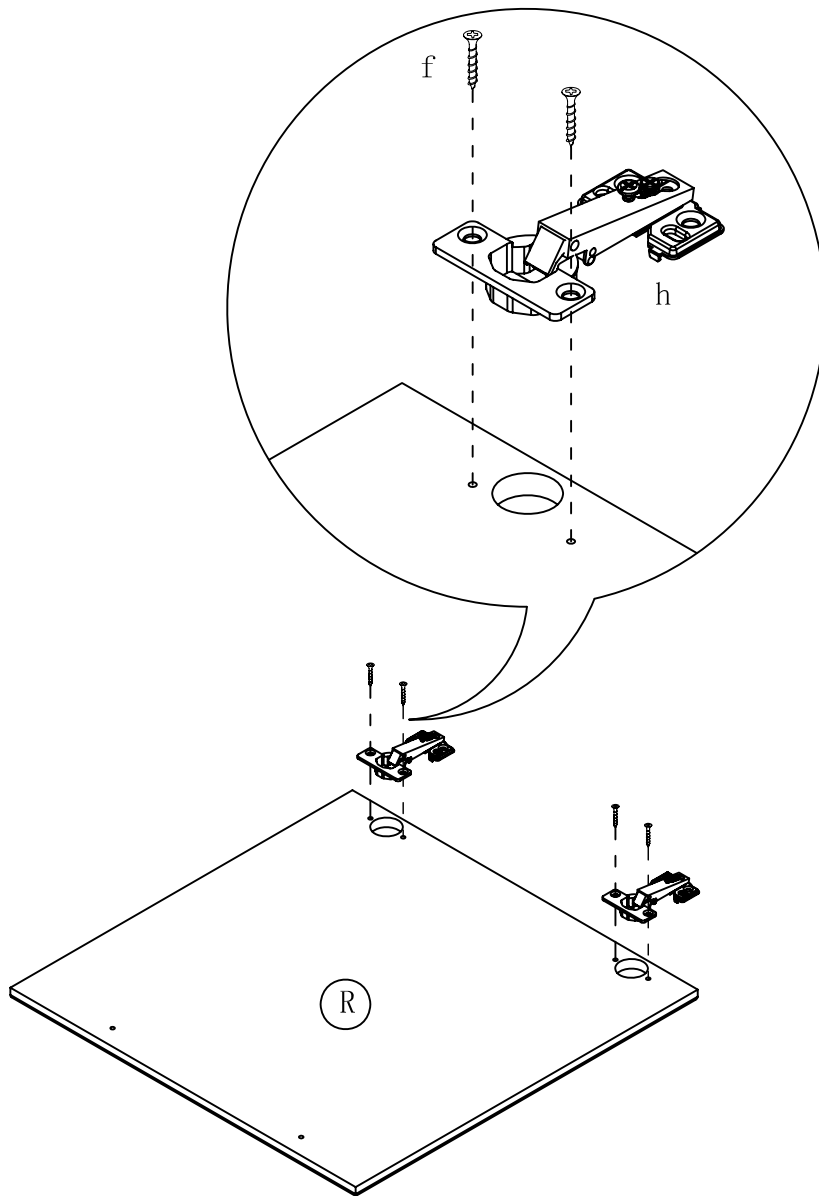
STEP 4



STEP 5

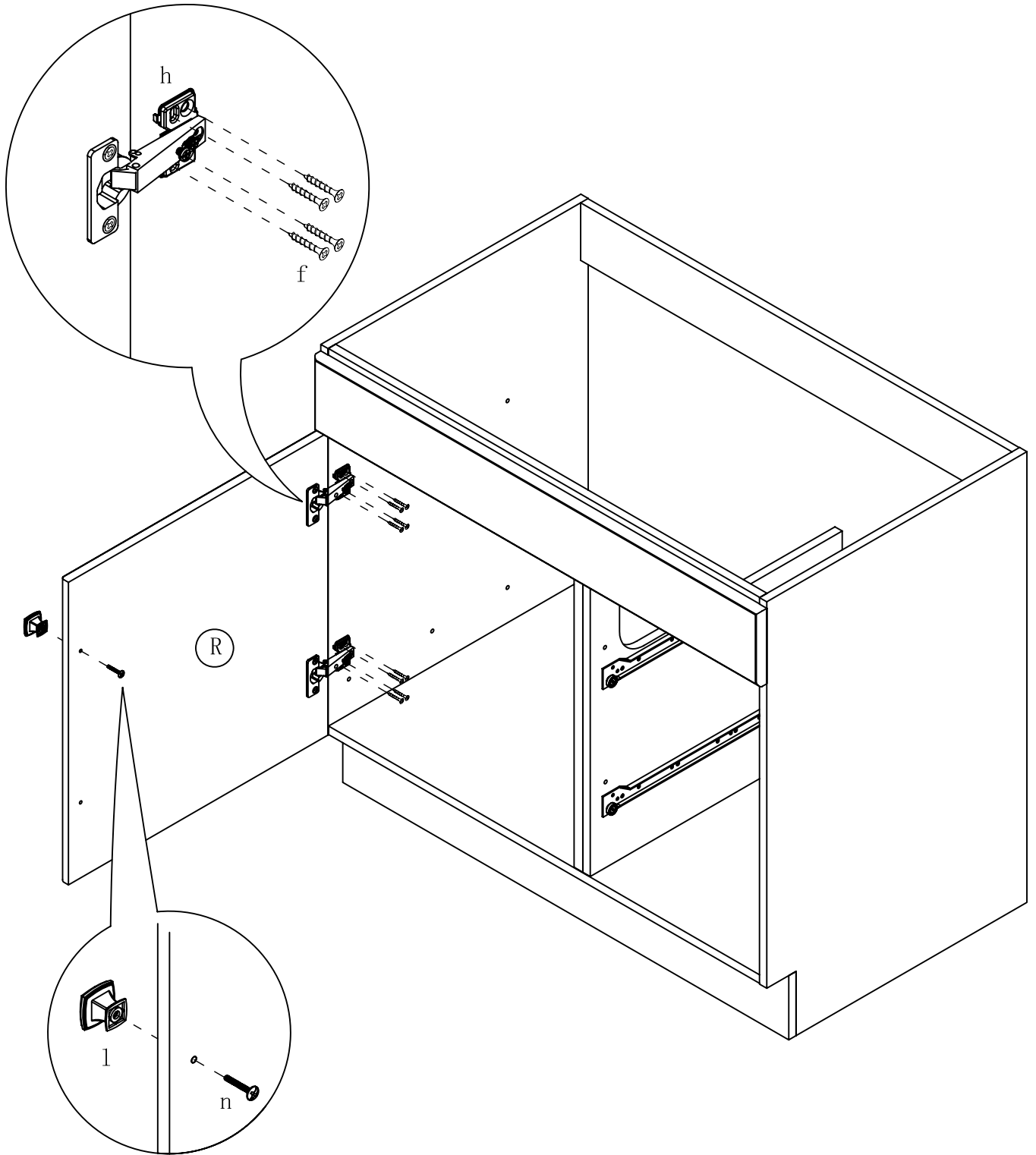


STEP 6



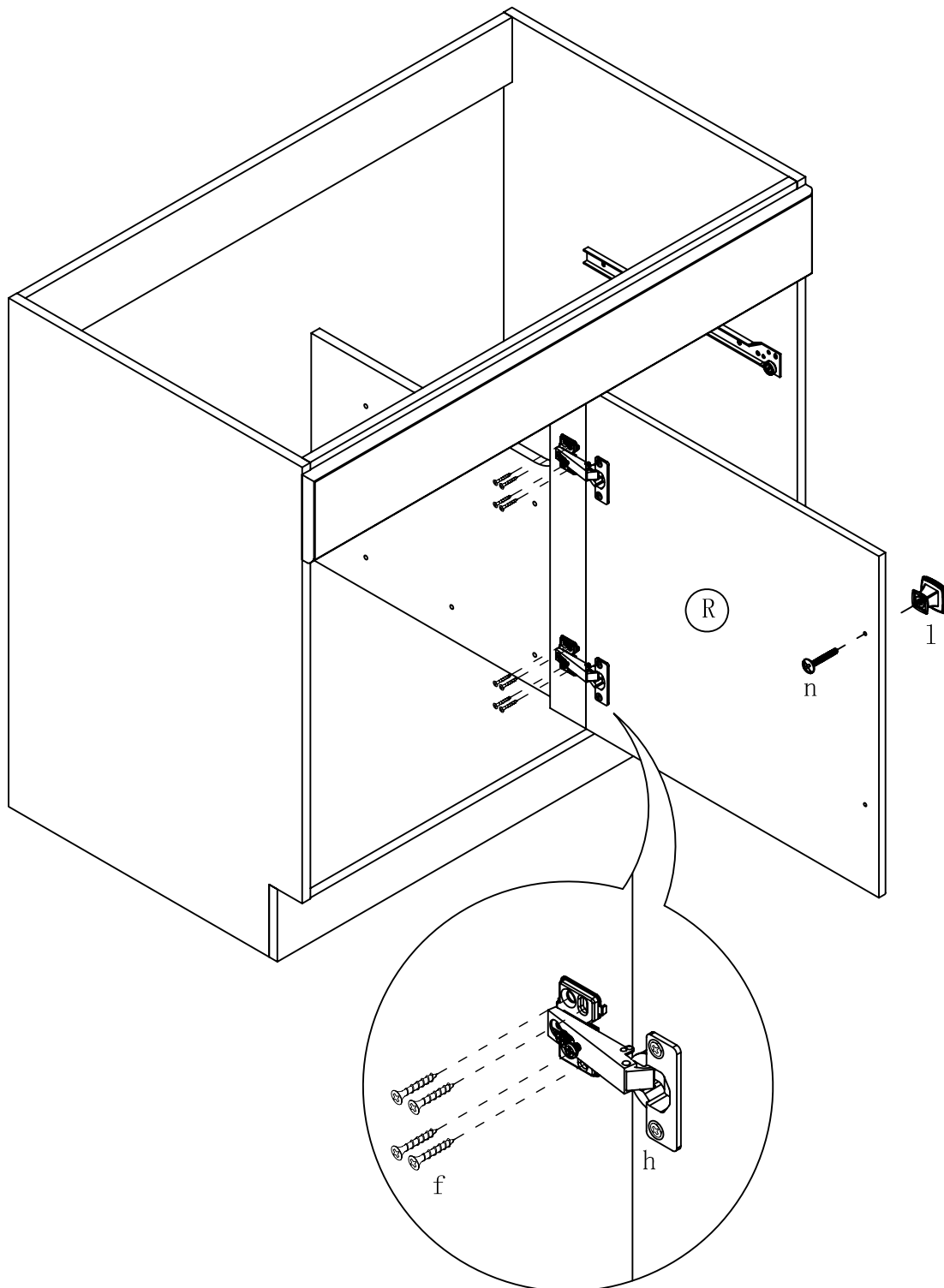
STEP 7

FOLLOW STEP 7 FOR
THE DOOR TO OPEN
TO THE LEFT



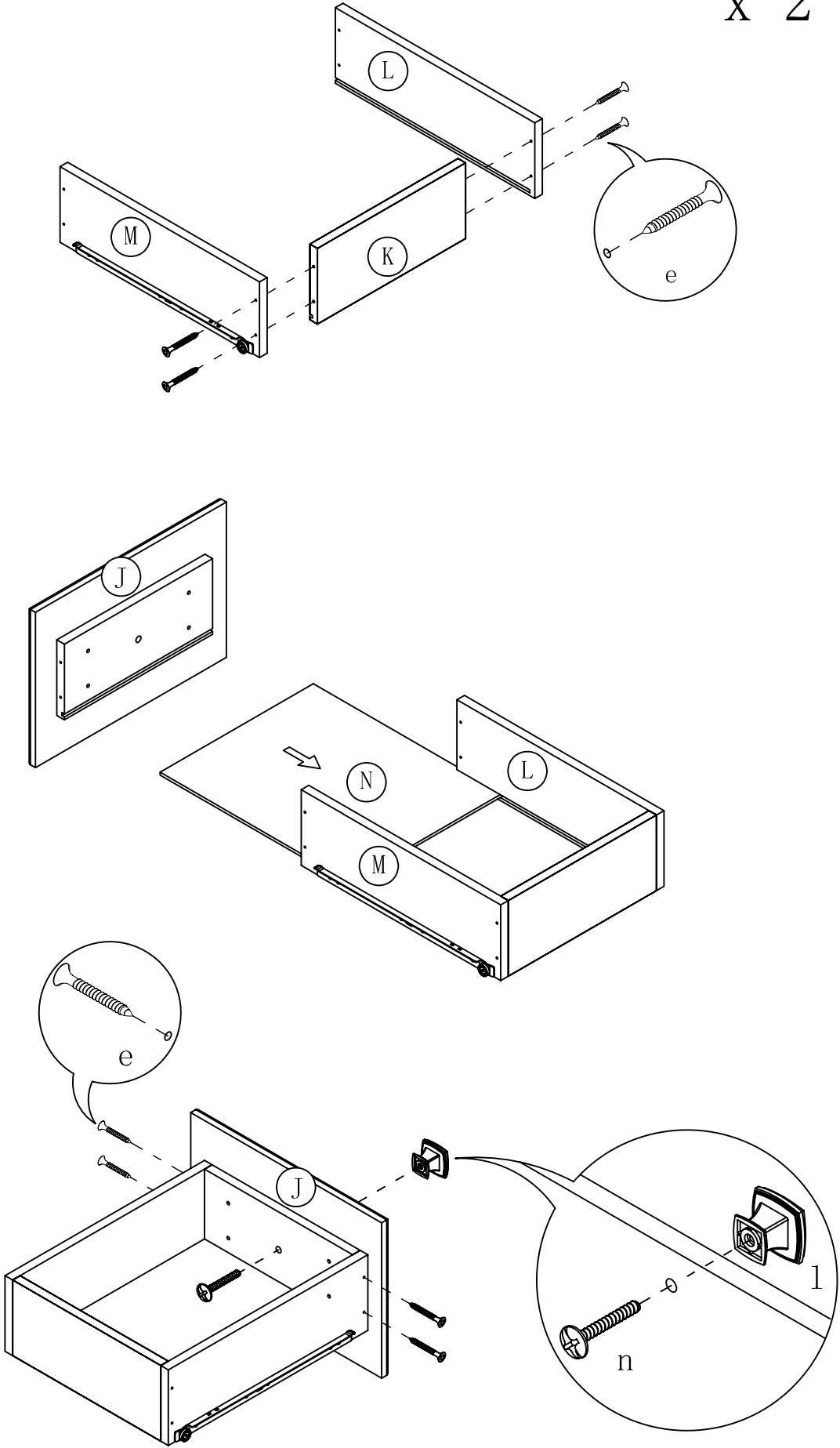
STEP 8

FOLLOW STEP 8 FOR
THE DOOR TO OPEN
TO THE RIGHT

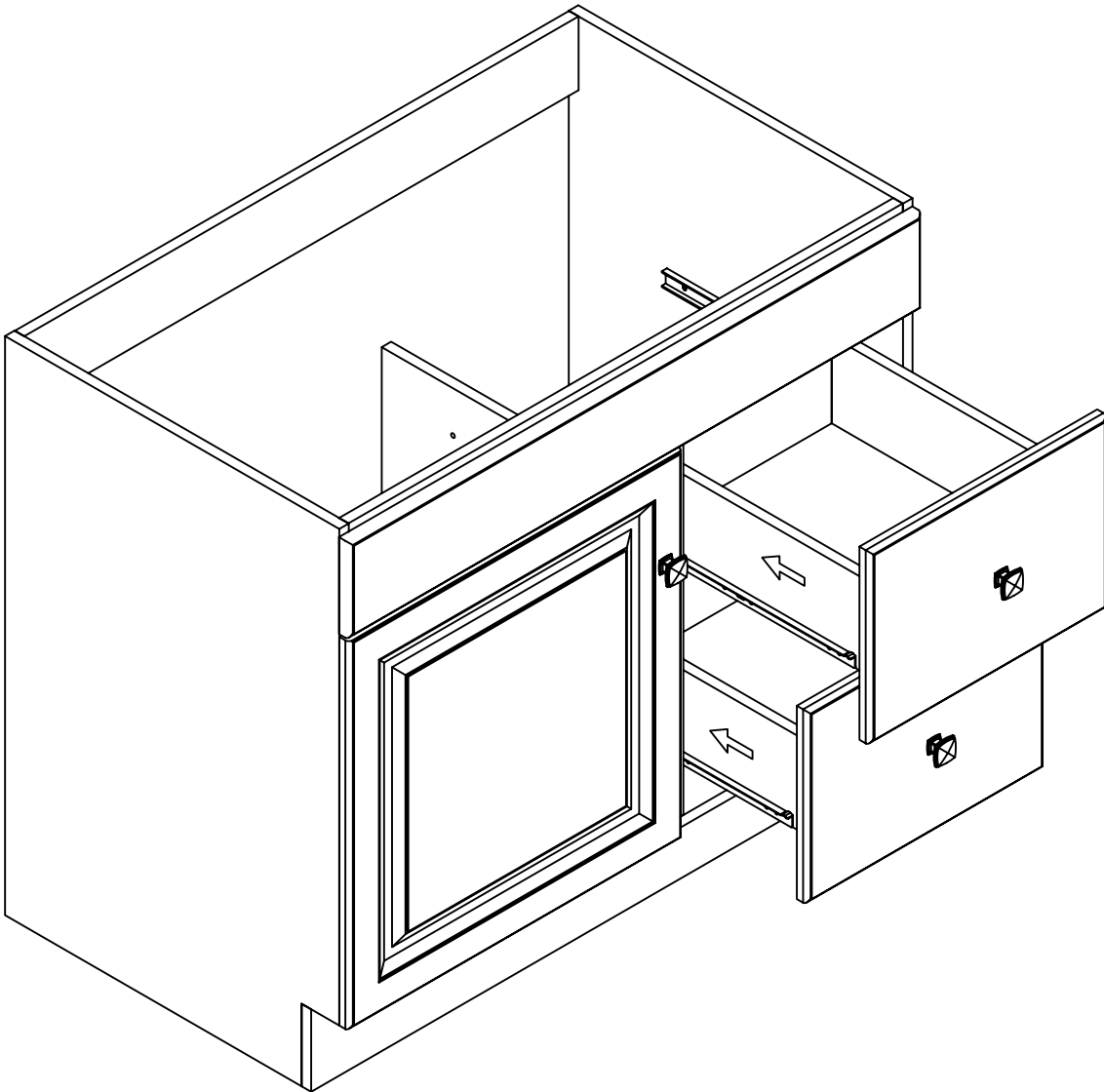


STEP 9

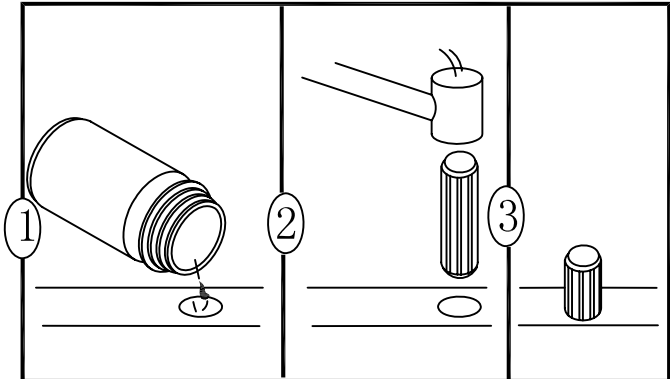
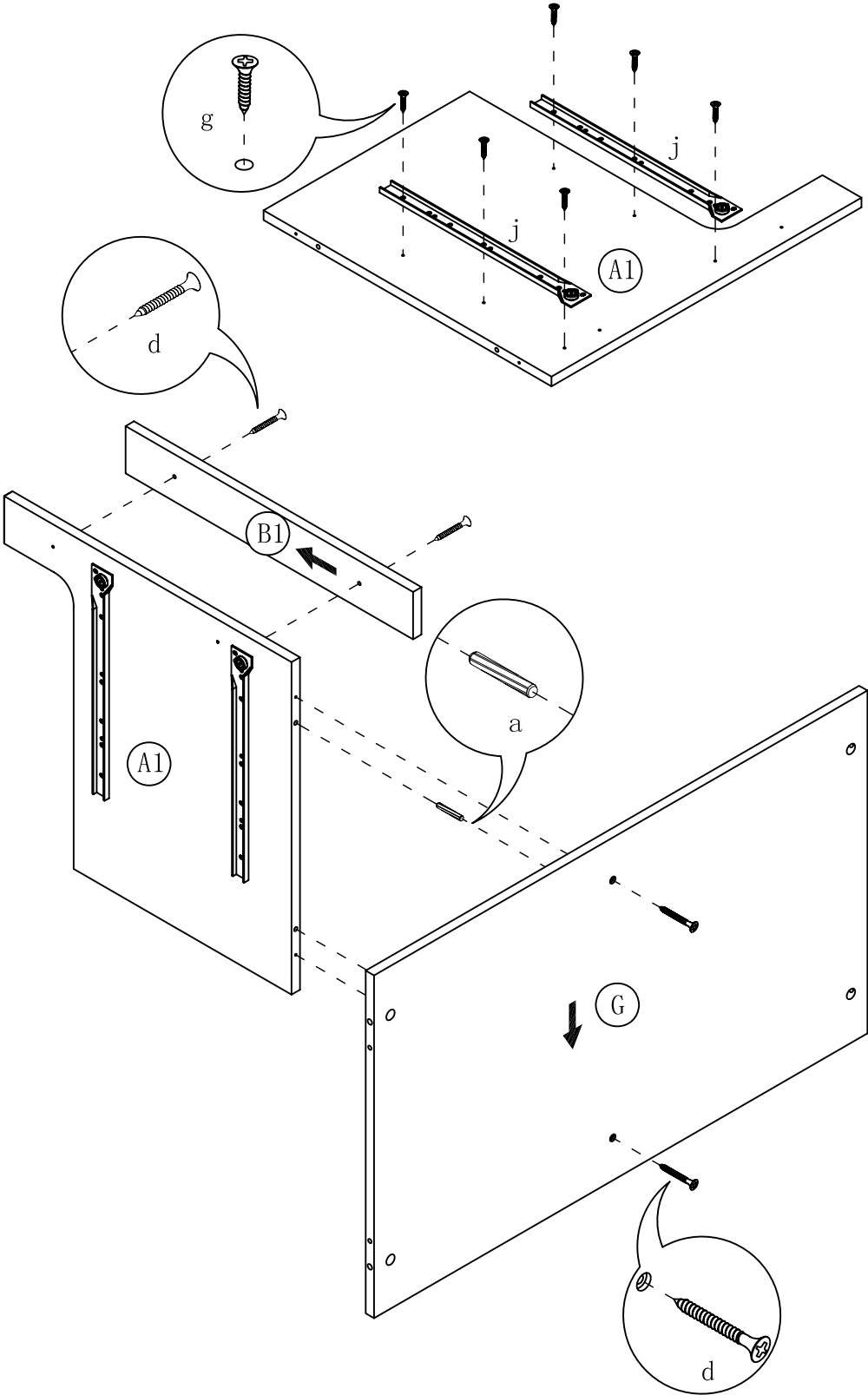
x 2



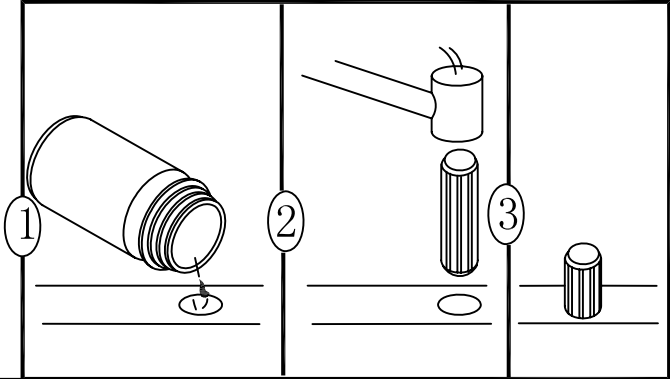
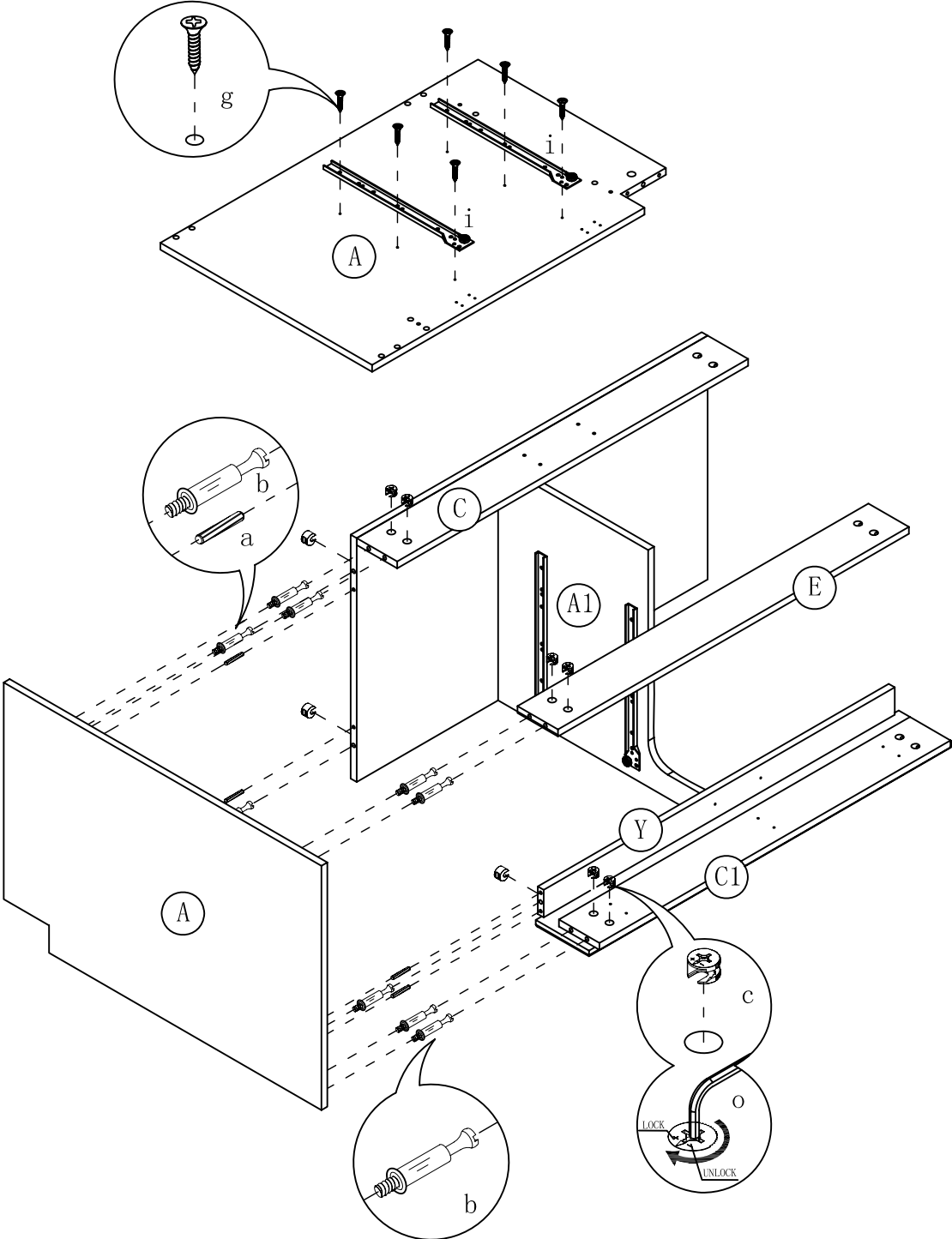
STEP 10



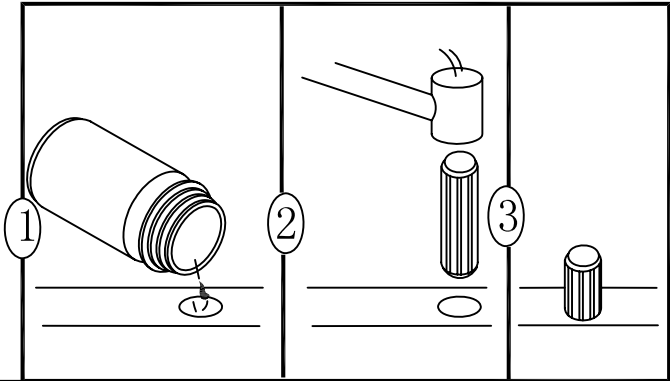
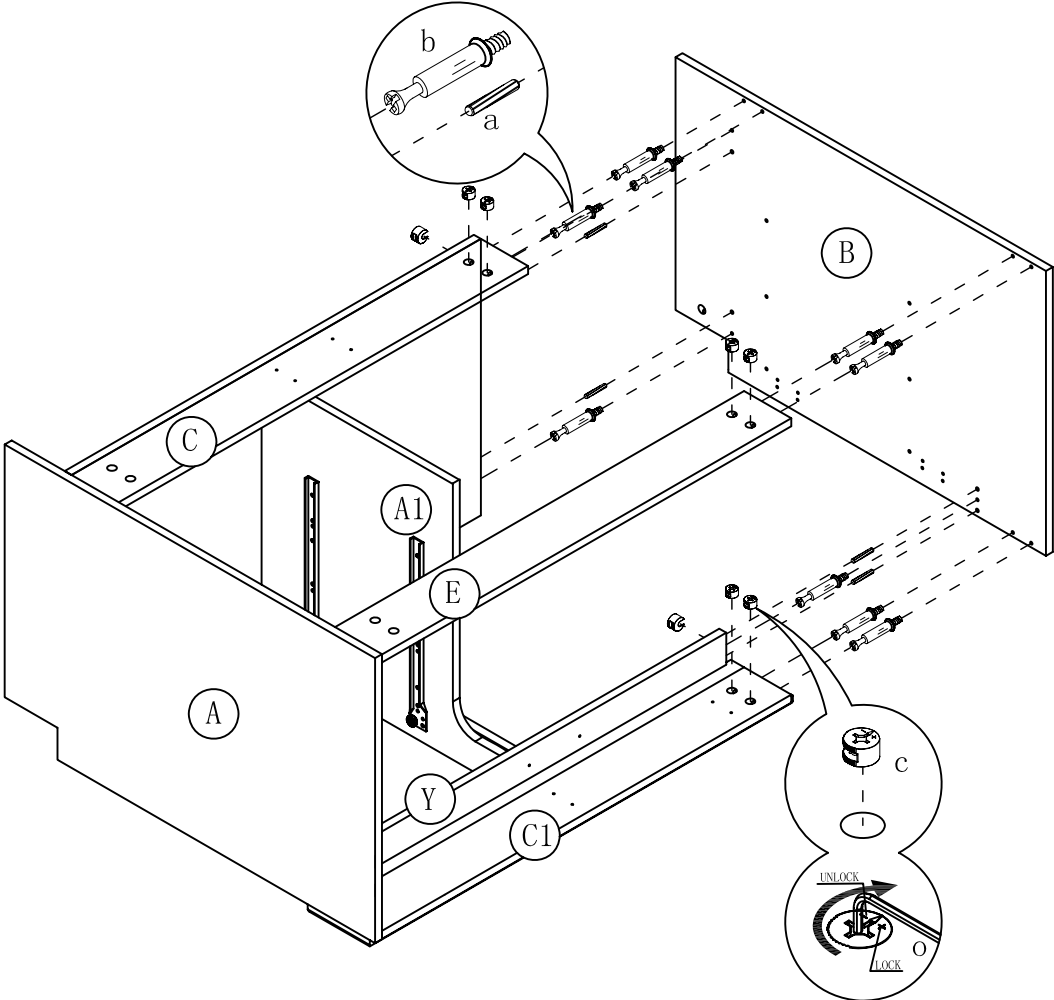
STEP 11



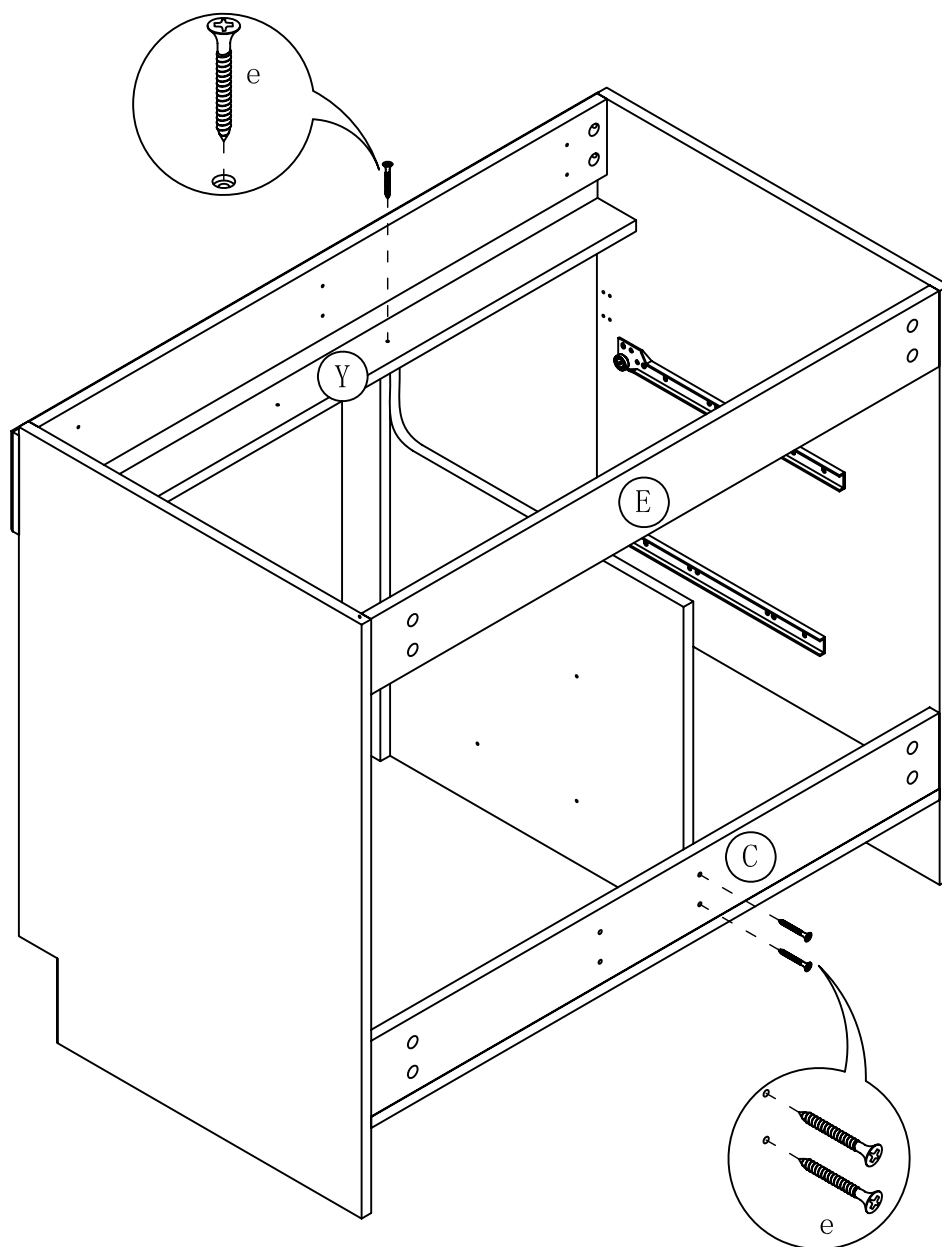
STEP 12



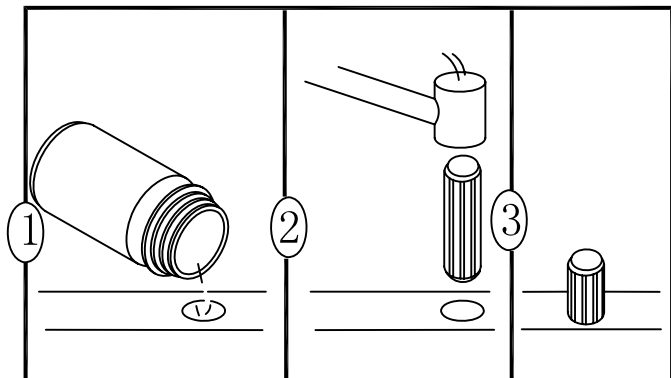
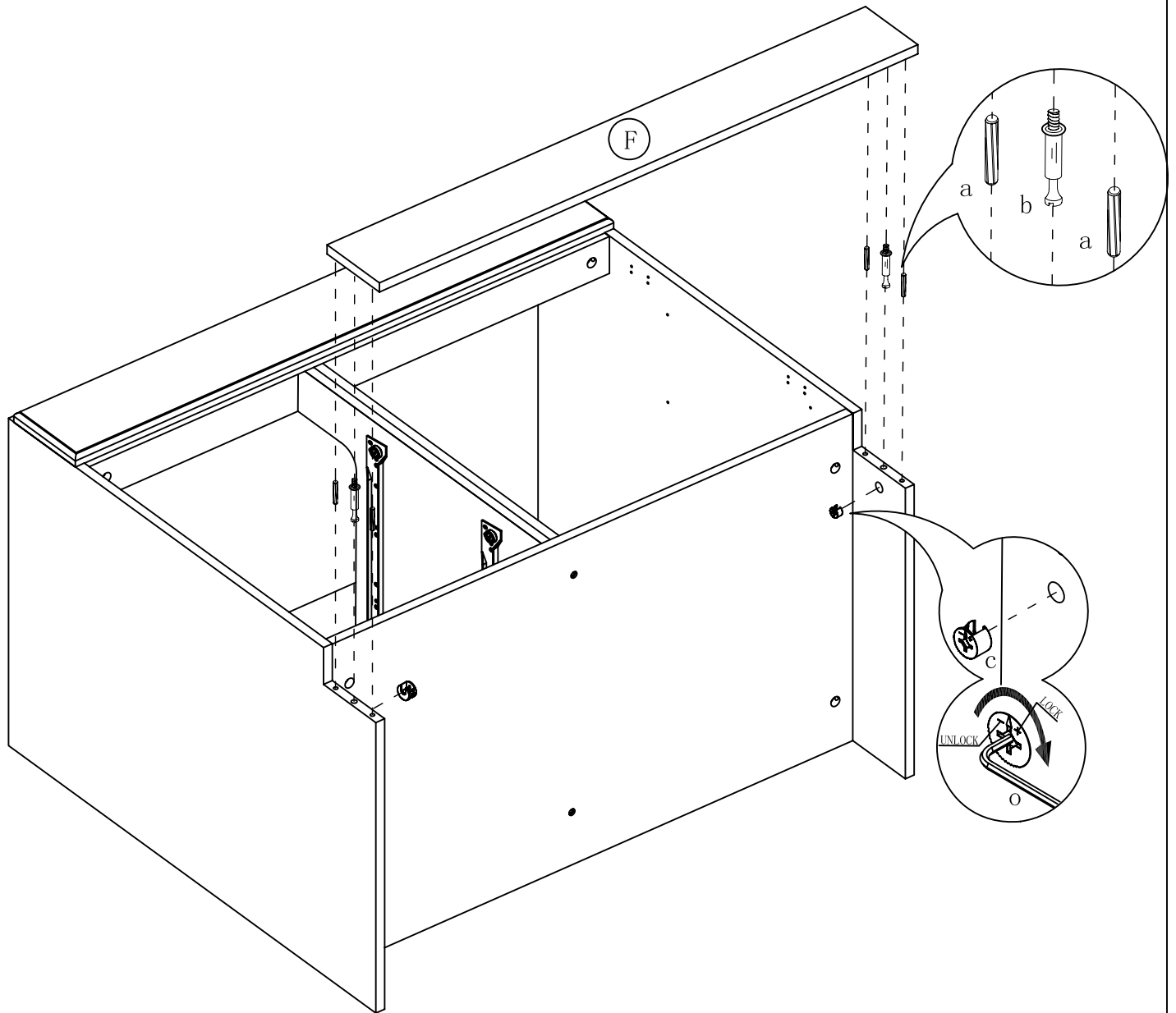
STEP 13



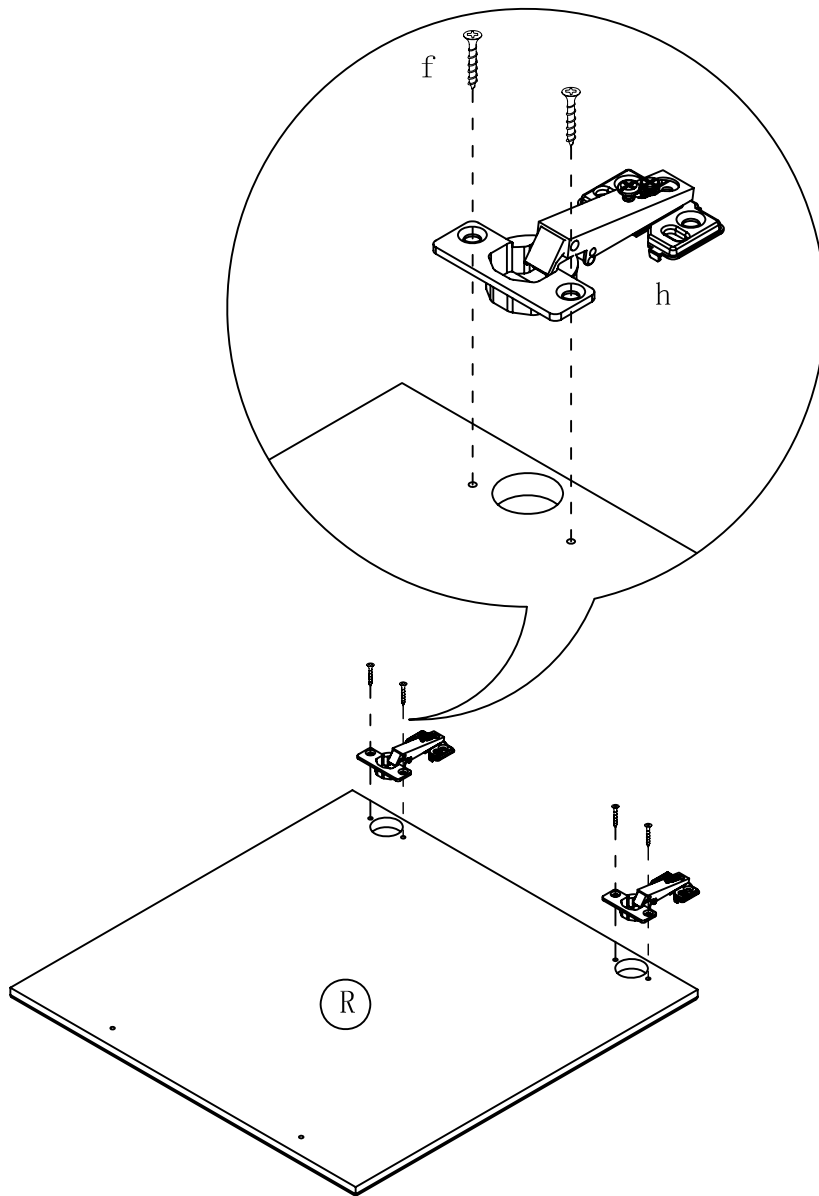
STEP 14



STEP 15

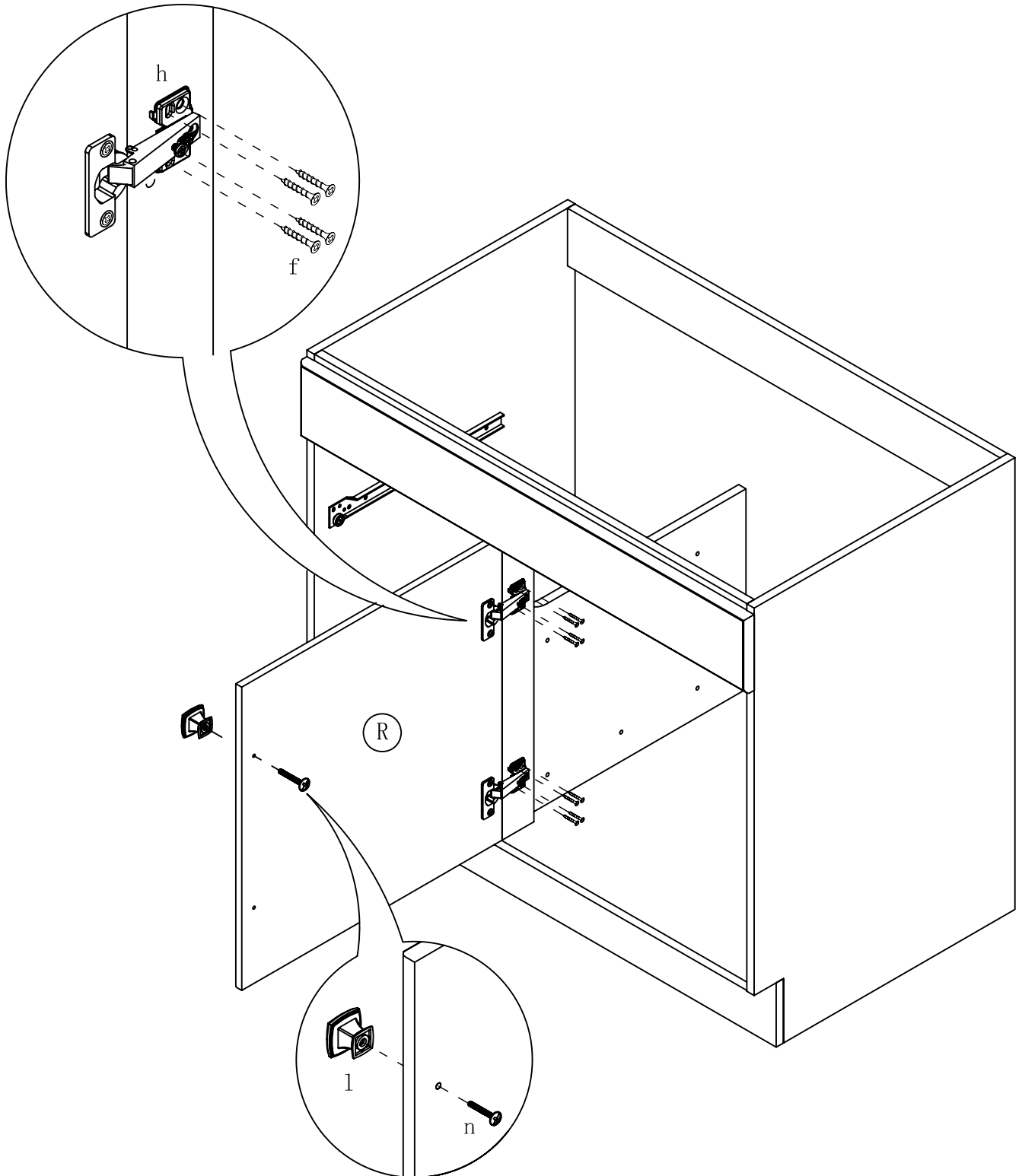


STEP 16



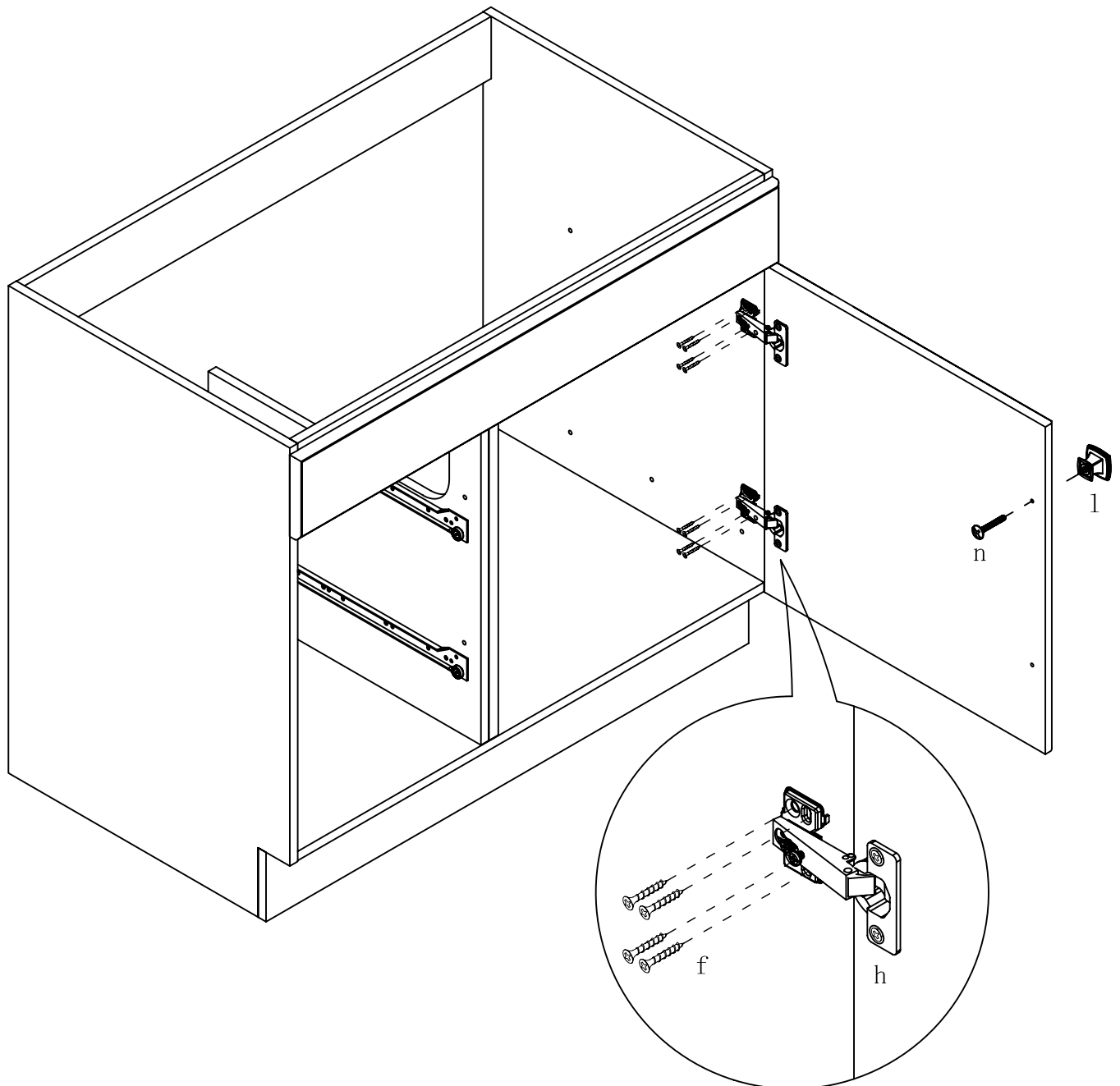
STEP 17

FOLLOW STEP 17 FOR
THE DOOR TO OPEN
TO THE LEFT



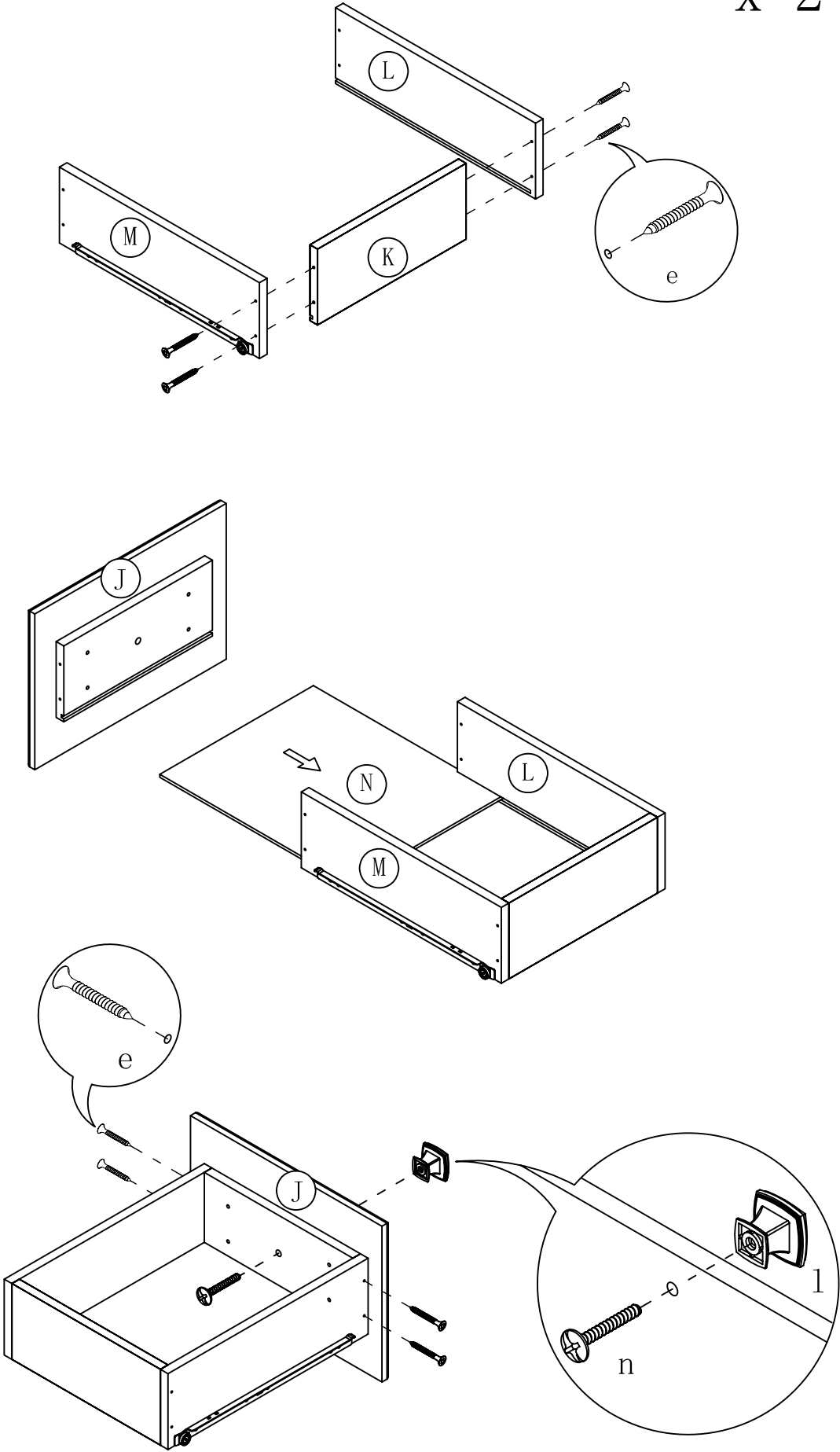
STEP 18

FOLLOW STEP 18 FOR
THE DOOR TO OPEN
TO THE RIGHT



STEP 19

x 2



STEP 20

