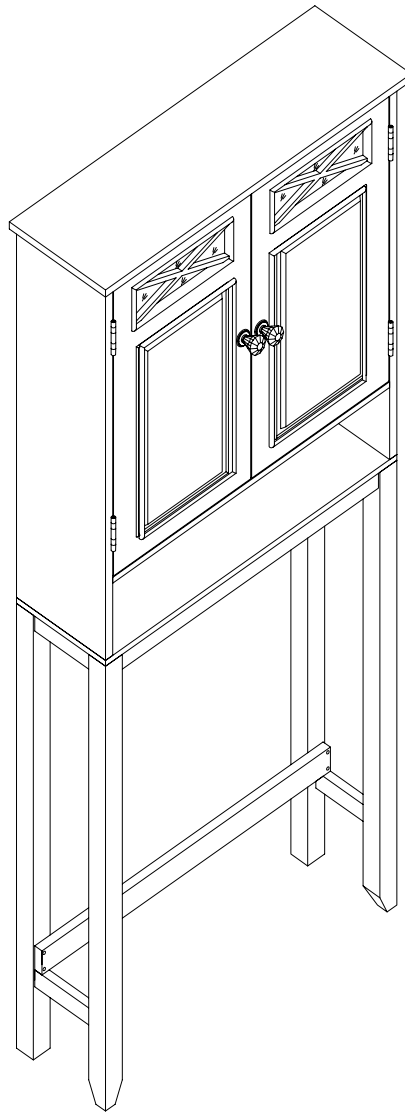


Assembly Instructions

Space Saver



Please provide the following information when contacting for parts or questions: the name of the company you purchased from, the tracking number of the original package, and the original order date.

ASSEMBLY INSTRUCTIONS - IMPORTANT

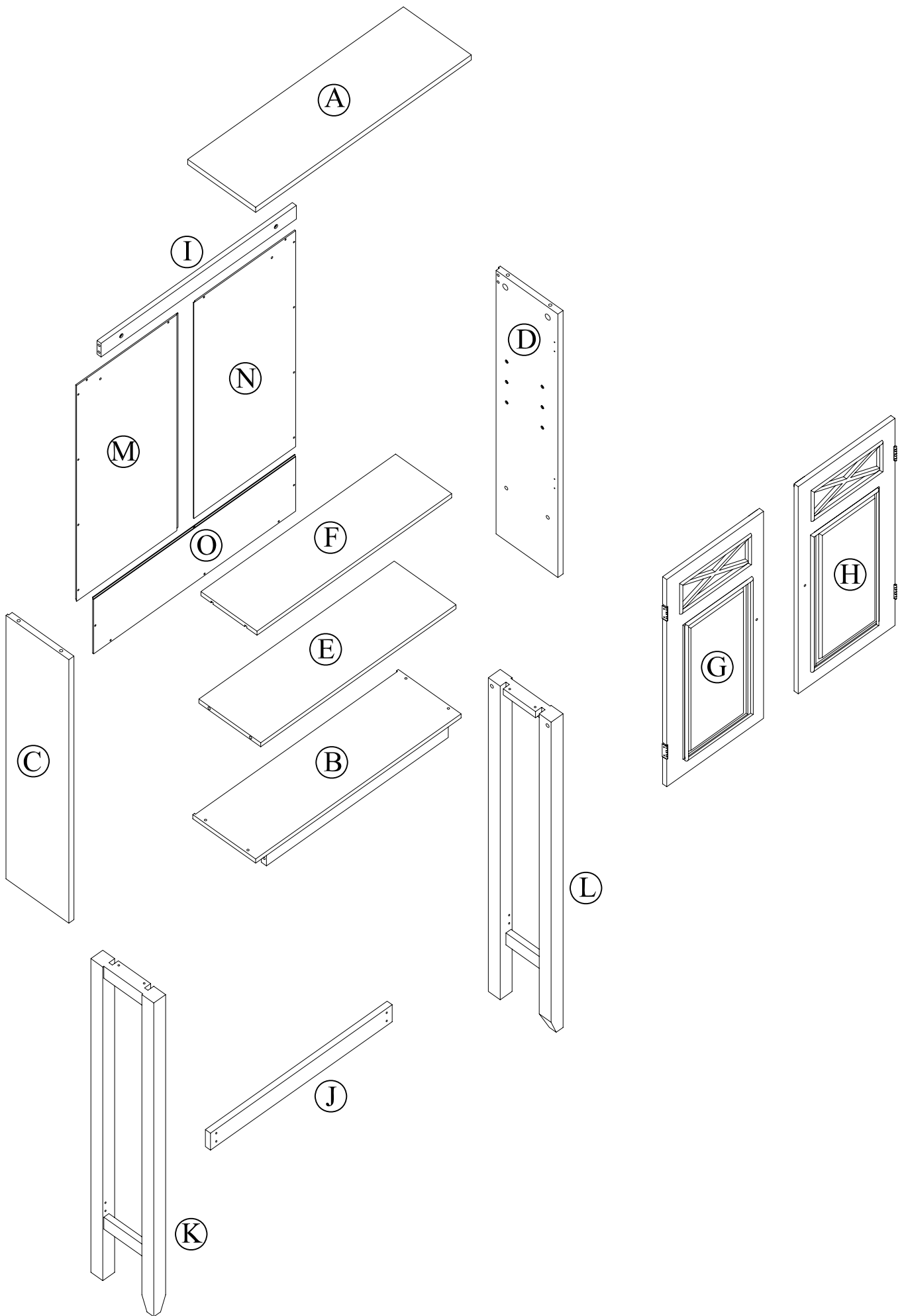
Carefully unpack & identify each component before attempting to assemble. Refer to parts list. Please take care when assembling the unit and always set the parts on a clean, soft surface. If you require any assistance with assembly, parts, please call the company you place order with or please email to: service@eleganthf.net.

INSTRUCCIONES PARA ARMAR - IMPORTANTE :

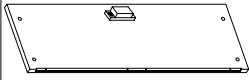

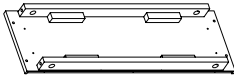
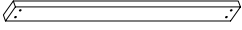
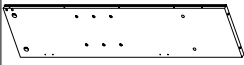
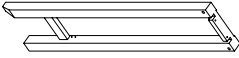
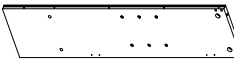
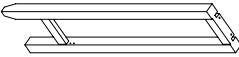




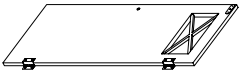
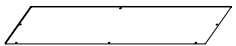
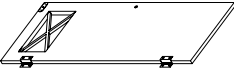
Desempaque cuidadosamente e identifique cada componente antes de tratar de empezar su ensambladura. Verifique la lista de partes. Por favor tenga cuidado cuando arme la unidad y siempre coloque las piezas sobre una superficie plana, suave y limpia. Si necesita ayuda con el armado, envíe un correo electrónico a service@eleganthf.net.

DIRECTIVES DE MONTAGE-IMPORTANT :

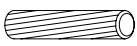




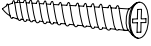

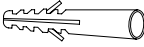
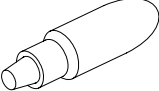
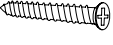


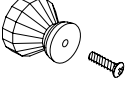
Avant de commencer l'assemblage, déballez délicatement toutes les pièces et repérez-les sur la liste des pièces. Procédez avec soins durant l'assemblage et posez toujours les pièces sur une surface propre, douce et lisse. Si vous préférez e-mail à service@eleganthf.net.



COMPONENTS

PART	FIGURE	DESCRIPTION	QTY	PART	FIGURE	DESCRIPTION	QTY
A		TOP SHELF	1PC	I		Upper Back Rail	1PC
B		BOTTOM SHELF	1PC	J		Below Back Lower Rail	1PC
C		Upper Left Side Frame	1PC	K		Lower Left Side Frame	1PC
D		Upper Right Side Frame	1PC	L		Lower Right Side Frame	1PC
E		Fixed Level Shelf	1PC	M		Back Left Panel	1PC
F		Adjustable Shelf	1PC	N		Back Right Panel	1PC
G		Left Door	1PC	O		Back Lower Panel	1PC
H		Right Door	1PC				

HARDWARE & TOOLS

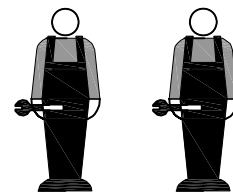
PART	FIGURE	DESCRIPTION	QTY	PART	FIGURE	DESCRIPTION	QTY
1		WOODEN DOWEL	4PCS	8	 ø3*12 mm	SCREW	18PCS
2		PIN	12PCS	9		SHELF PIN	4PCS
3		CAM LOCK	12PCS	10	 ø4*38mm	SCREW	10PCS
4		CAM LOCK CAP	12PCS	11		ANCHOR	2PCS
5		GLUE	1PC	12	 ø4*22mm	SCREW	4PCS
6	 ø3*11 mm	SCREW	8PCS	13		Cam Lock Cover	4PCS
7		KNOB & BOLT	2SET				

TOOL NEEDED:

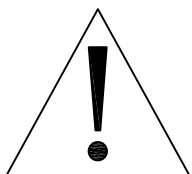


**PHILIPS SCREWDRIVER REQUIRED
- NOT INCLUDED**

SUGGESTION:



TWO PEOPLE FOR ASSEMBLING



WARNINGS:

1. DO NOT LET ANY SHARP OBJECTS TOUCH OR RUB THE SURFACE OF THE PRODUCT.
2. WHEN ASSEMBLING, DO NOT LET CHILDREN PLAY AROUND THE WORKING AREA.
3. PLEASE CONFIRM ALL PARTS ARE CORRECT BEFORE STARTING THE ASSEMBLY PROCESS.
4. DO NOT TIGHTEN ALL BOLTS AND SCREWS COMPLETELY UNTIL THE ENTIRE UNIT HAS BEEN ASSEMBLED AND SET UP.

1

1



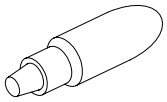
4pcs

2

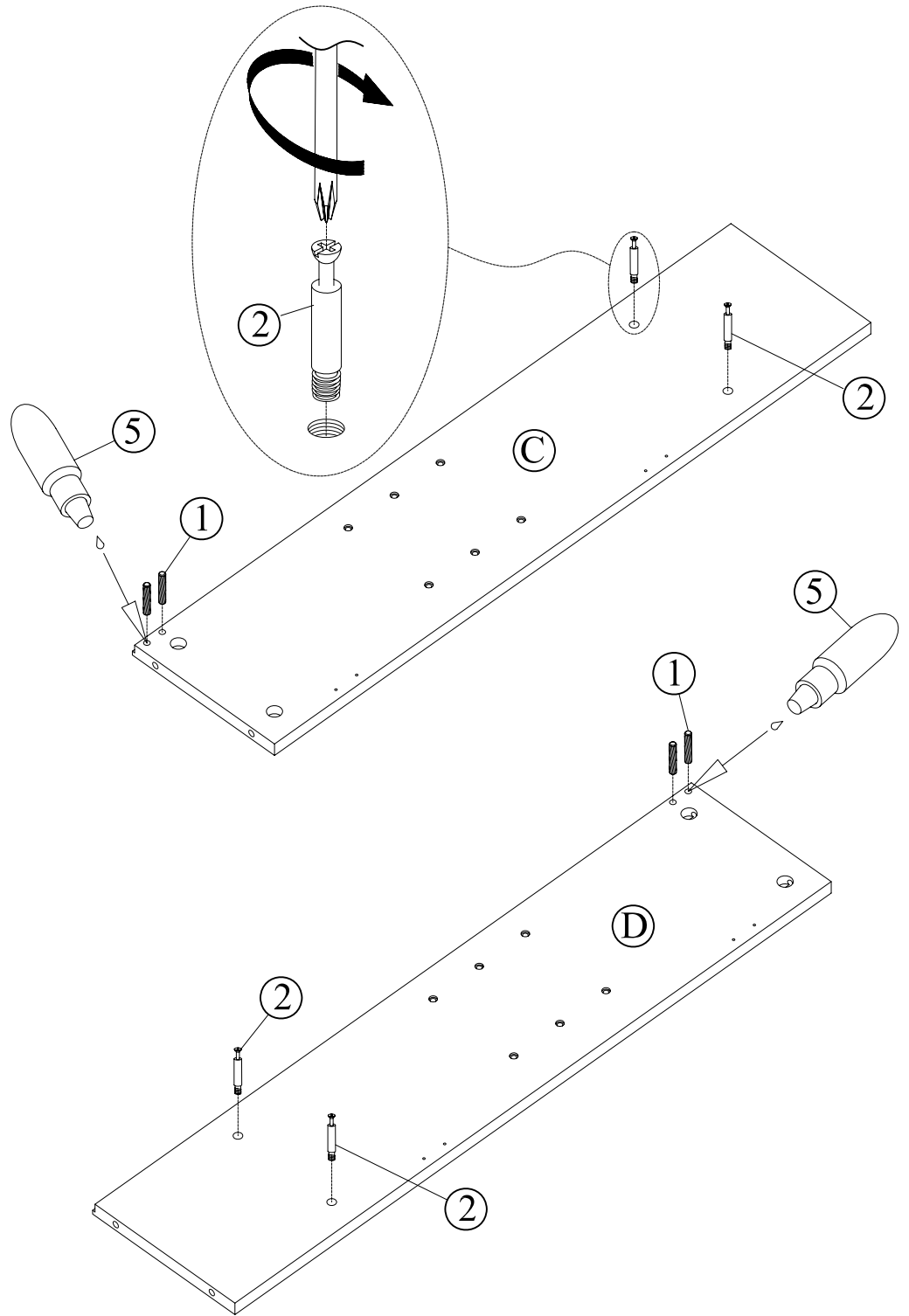


4pcs

5



1pc



STEP 1:

1. Fill dowel hole half way with Glue #5.
Wooden Dowel #1 may push out excess glue-wipe off excess glue.
2. Insert the Wooden Dowel #1 and the Pin #2 into the hole on the Upper Left Side Frame C,tighten the Pin #2.
3. Insert the Wooden Dowel #1 and the Pin #2 into the hole on the Upper Right Side Frame D,tighten the Pin #2.

2

3

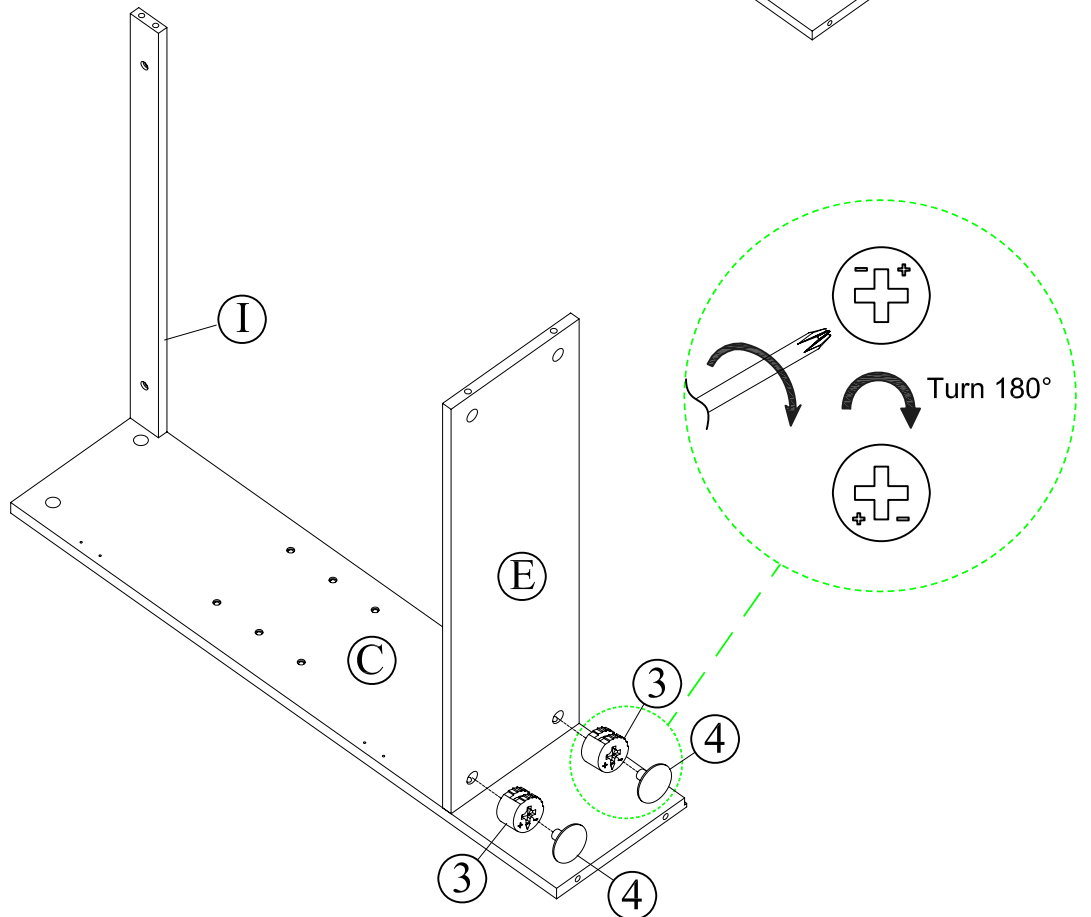
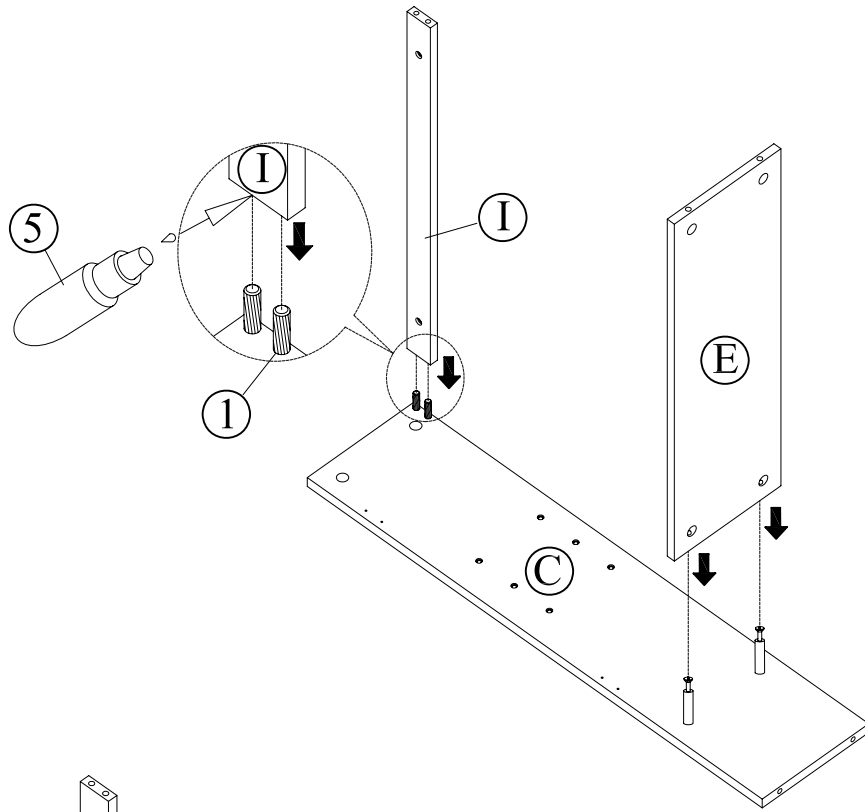


2pcs

4



2pcs



STEP 2:

1. Fill dowel hole half way with Glue #5.
Wooden Dowel #1 may push out excess glue-wipe off excess glue.
2. Connect the Upper Back Rail I and the Upper Left Side Frame C with the Wooden Dowel #1.
3. Connect the Fixed Level Shelf E and the Upper Left Side Frame C with the Pin #2.
4. Insert the Cam Lock #3 into the hole on the Fixed Level Shelf E.
5. Tighten the Cam Lock #3 to the Pin #2, insert the Cam Lock Cap #4 when finish.

3

3

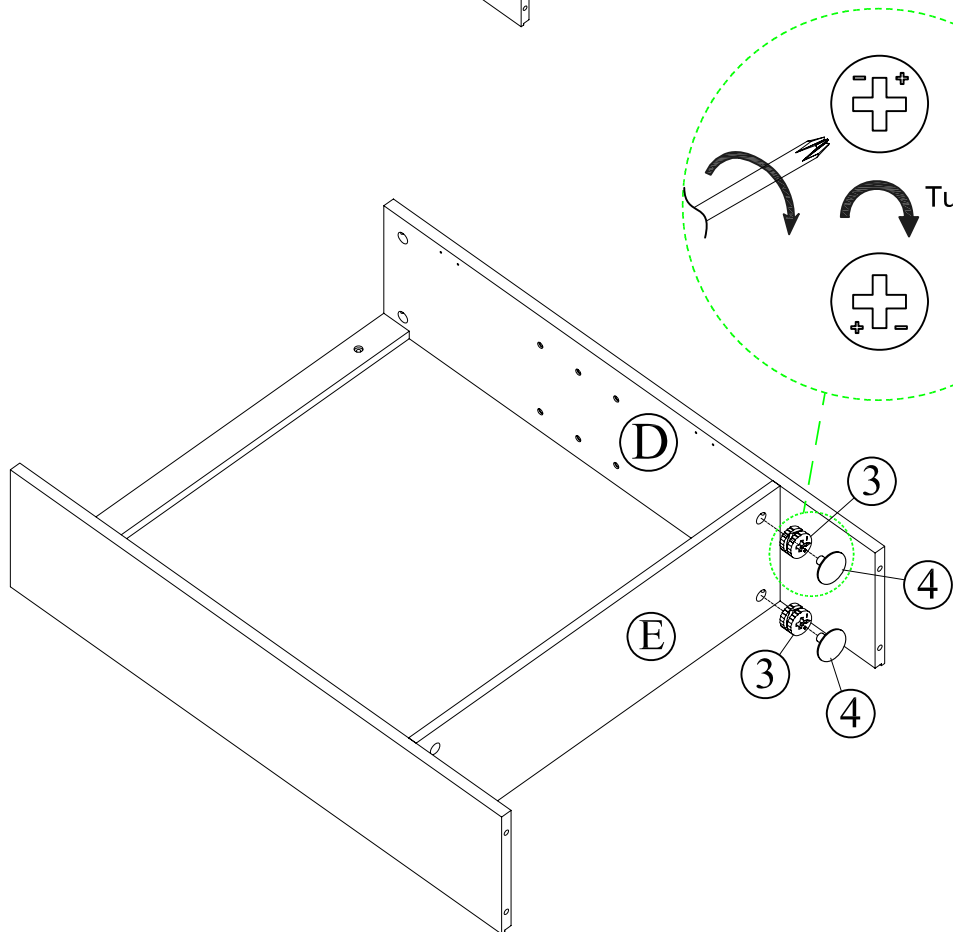
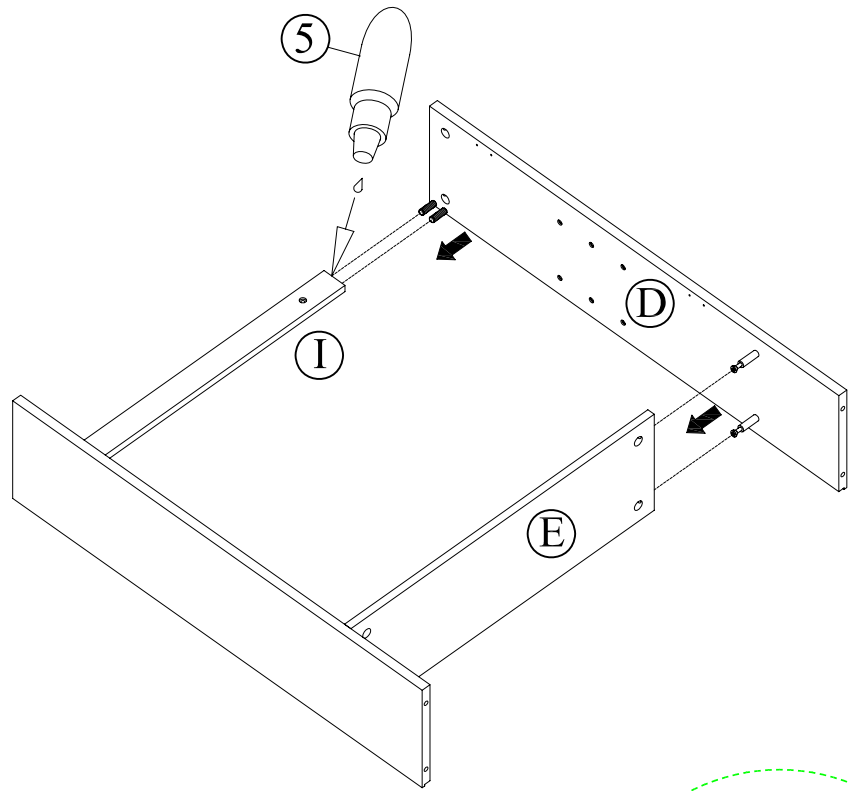


2pcs

4



2pcs

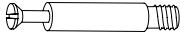


STEP 3:

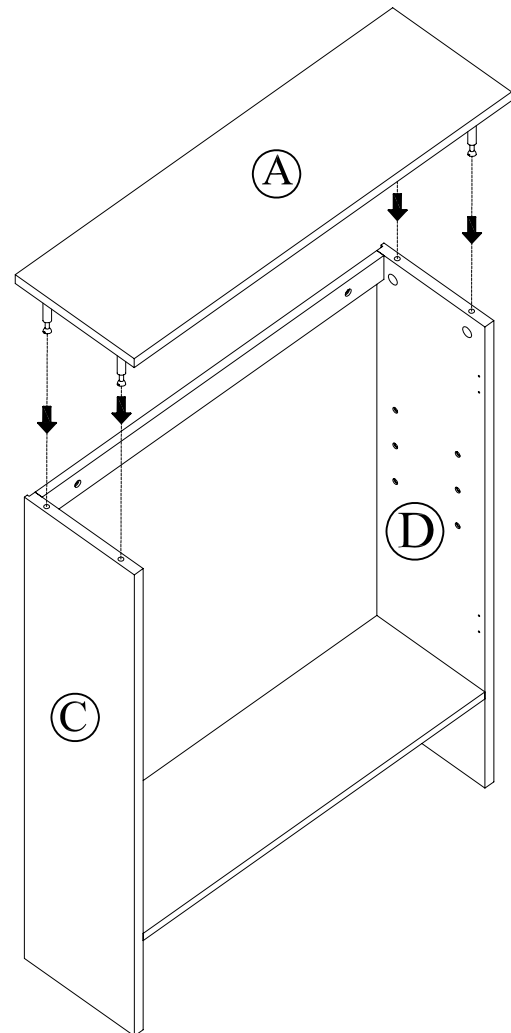
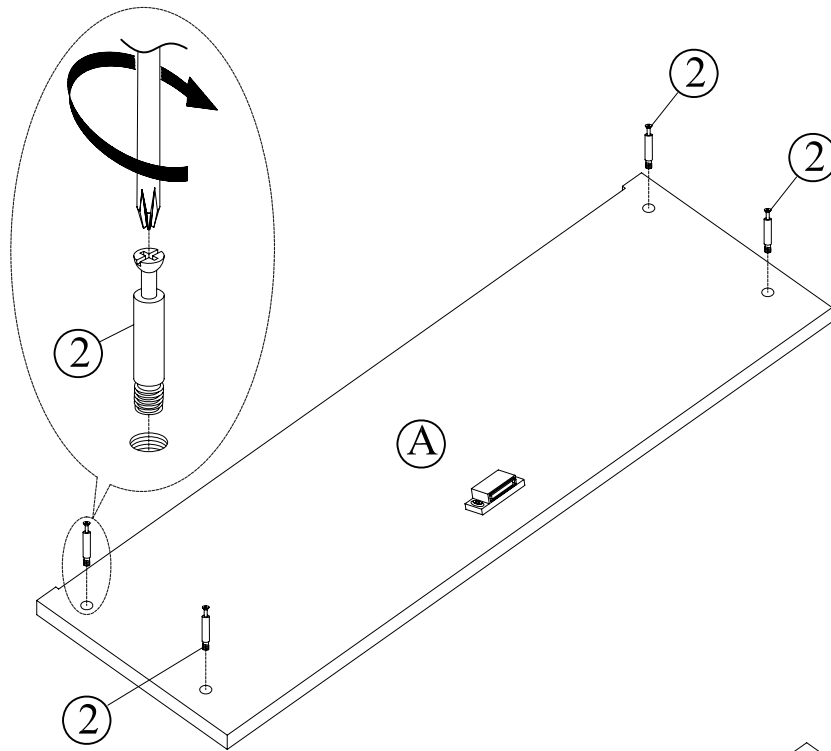
1. Fill dowel hole half way with Glue #5.
Wooden Dowel #1 may push out excess glue-wipe off excess glue.
2. Connect the Upper Right Side Frame D and the Upper Back Rail I & the Upper Fixed Level Shelf E with the Wooden Dowel #1 and the Pin #2.
3. Insert the Cam Lock #3 into the hole on the Fixed Level Shelf E.
4. Tighten the Cam Lock #3 to the Pin #2, insert the Cam Lock Cap #4 when finish.

4

2



4pcs



STEP 4:

1. Insert the Pin #2 into the hole on the Top Shelf A, tighten the Pin #2.
2. Connect the Top Shelf A and the Upper Left Side Frame C & the Upper Right Side Frame D with the Pin #2.

5

3



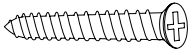
4pcs

4



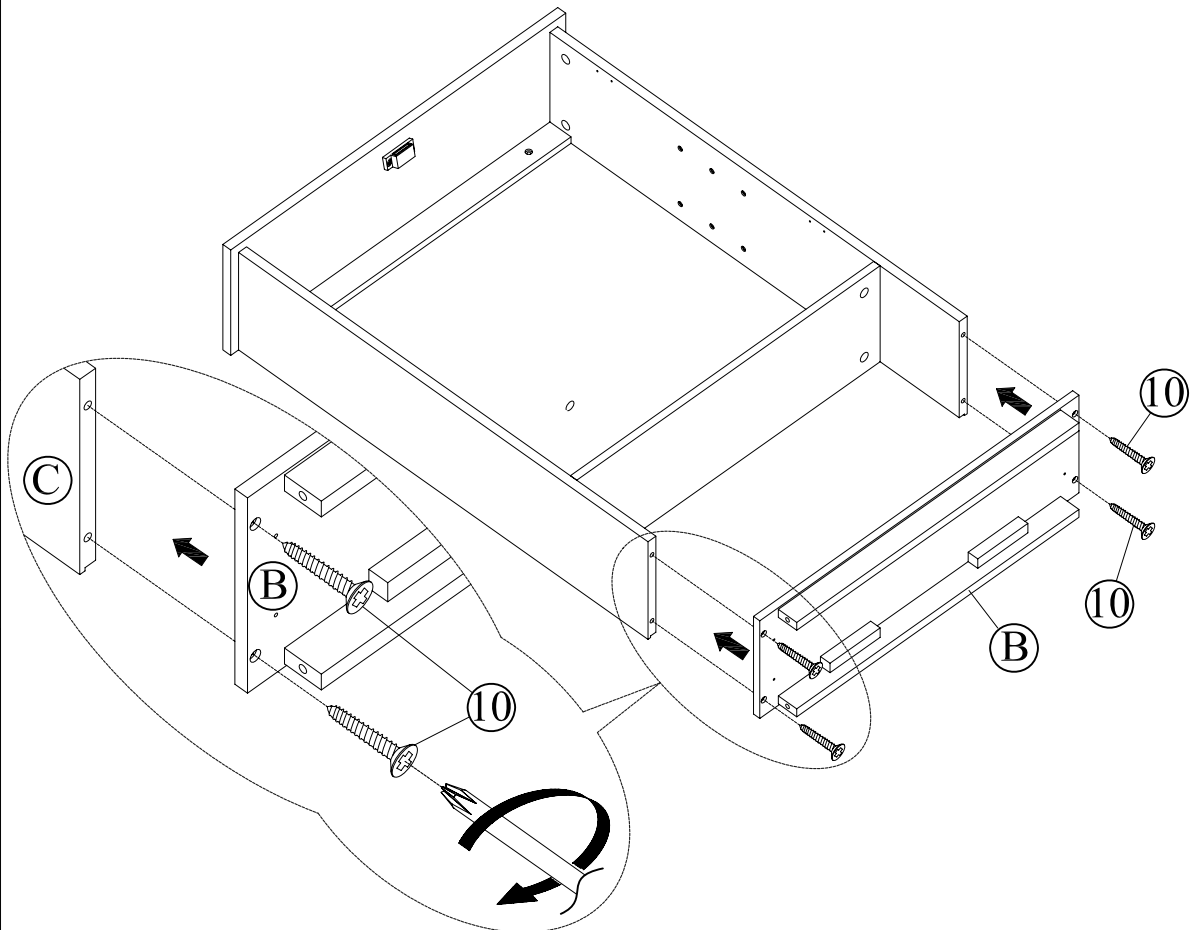
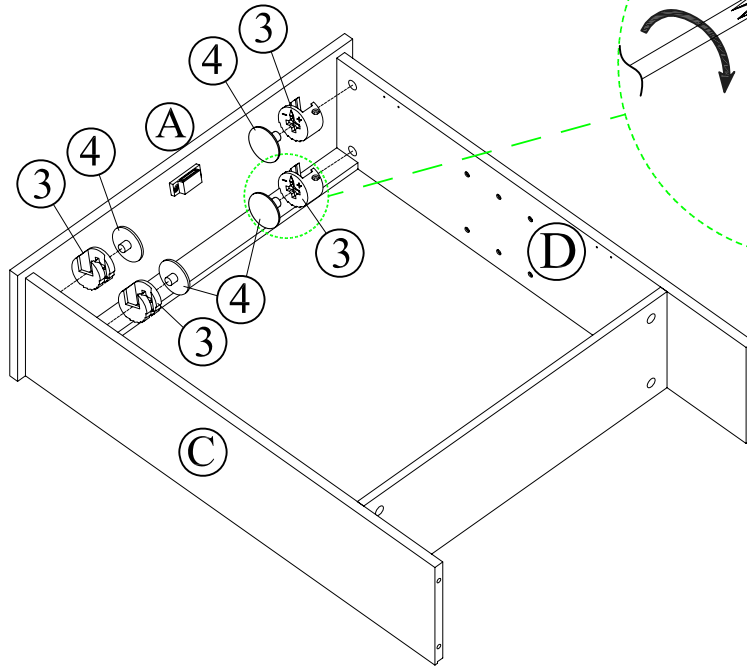
4pcs

10



Ø4*38mm

4pcs

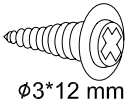


STEP 5:

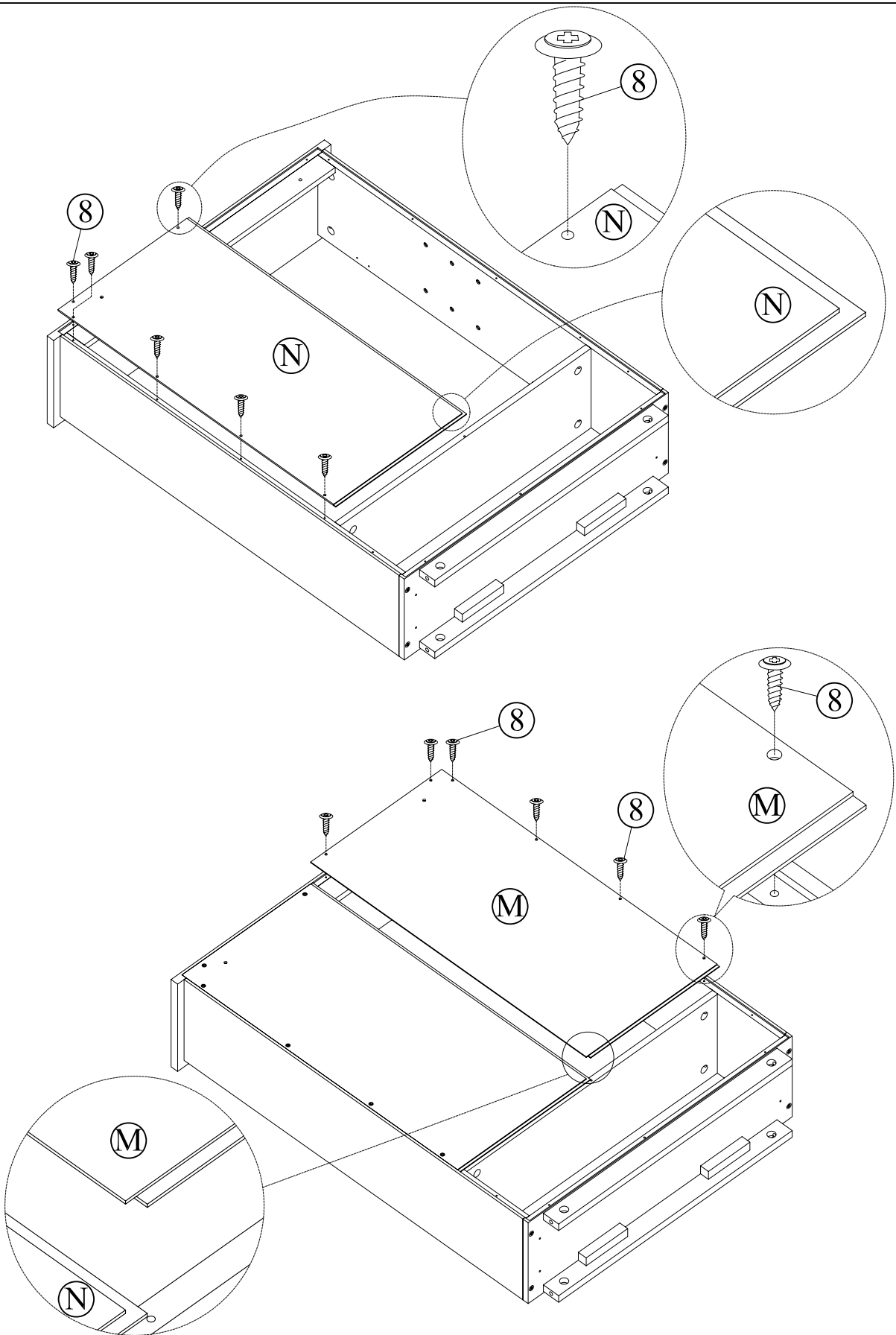
1. Insert the Cam Lock #3 into the hole on the Upper Left Side Frame C and the Upper Right Side Frame D.
2. Tighten the Cam Lock #3 to the Pin #2, insert the Cam Lock Cap #4 when finish.
3. Insert the Screw #10 into the hole on the Upper Left Side Frame C and the Upper Right Side Frame D ,and pass through the hole on the Bottom Shelf B, then tighten the Screw #10.

6

8



12pcs



STEP 6:

1. Connect the Back Right Panel N and the main body with the Screw #8,tighten the Screw #8.
2. Connect the Back Left Panel M and the main body with the Screw #8,tighten the Screw #8.

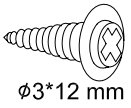
7

2



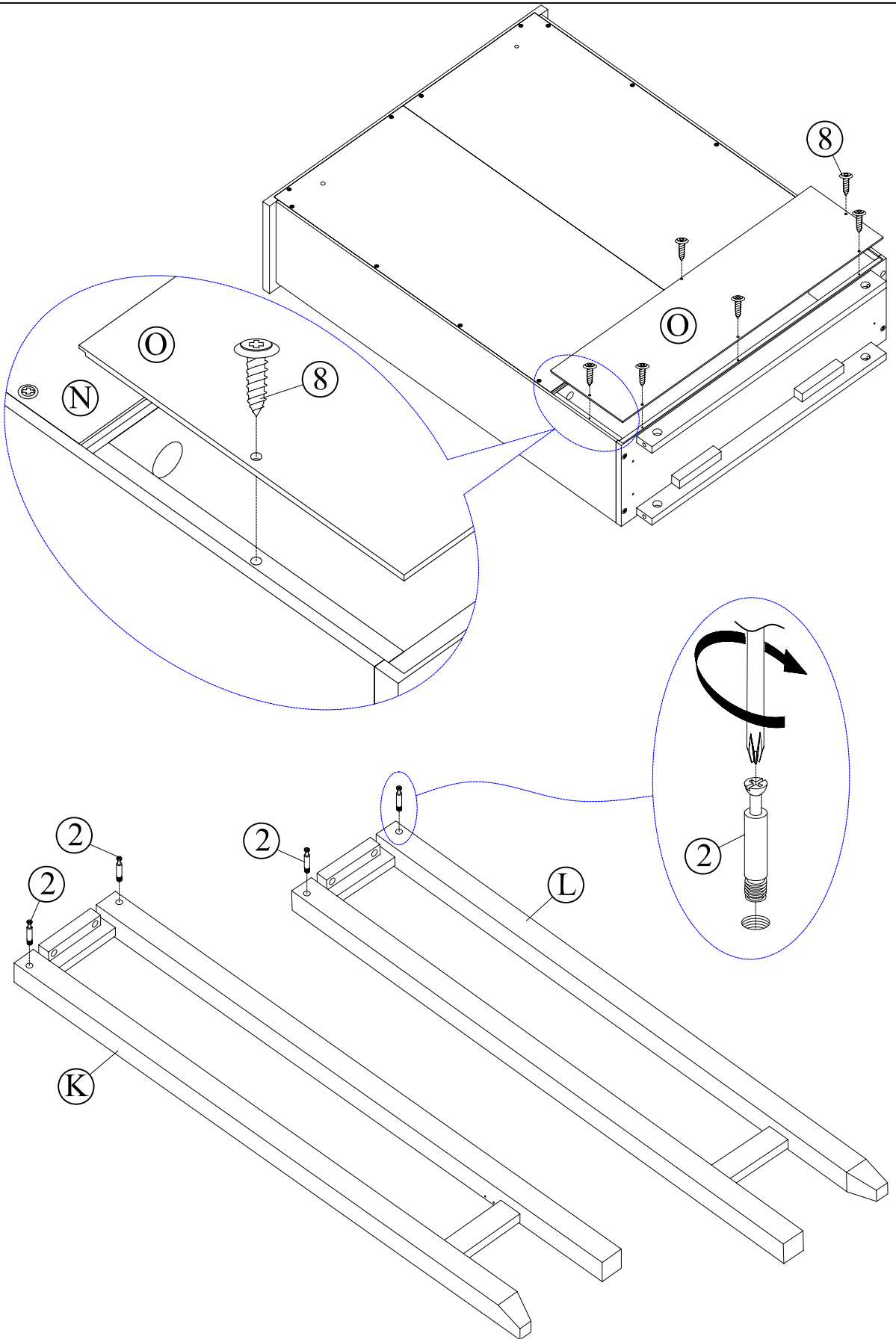
4pcs

8



φ3*12 mm

6pcs



STEP 7:

1. Connect the Back Lower Panel O and the main body with the Screw #8, tighten the Screw #8.
2. Insert the Pin #2 into the hole on the Lower Left Side Frame K, tighten the Pin #2.
3. Insert the Pin #2 into the hole on the Lower Right Side Frame L, tighten the Pin #2.

8

3

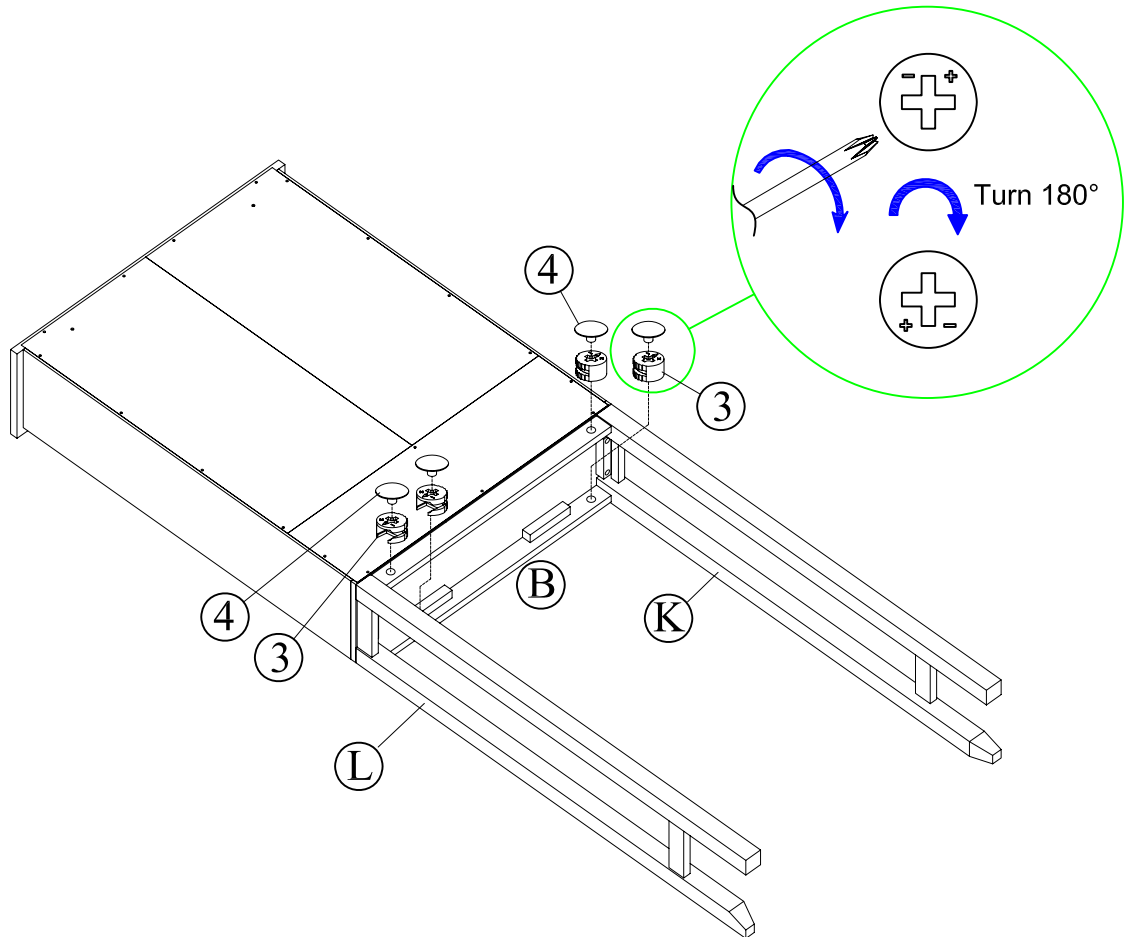
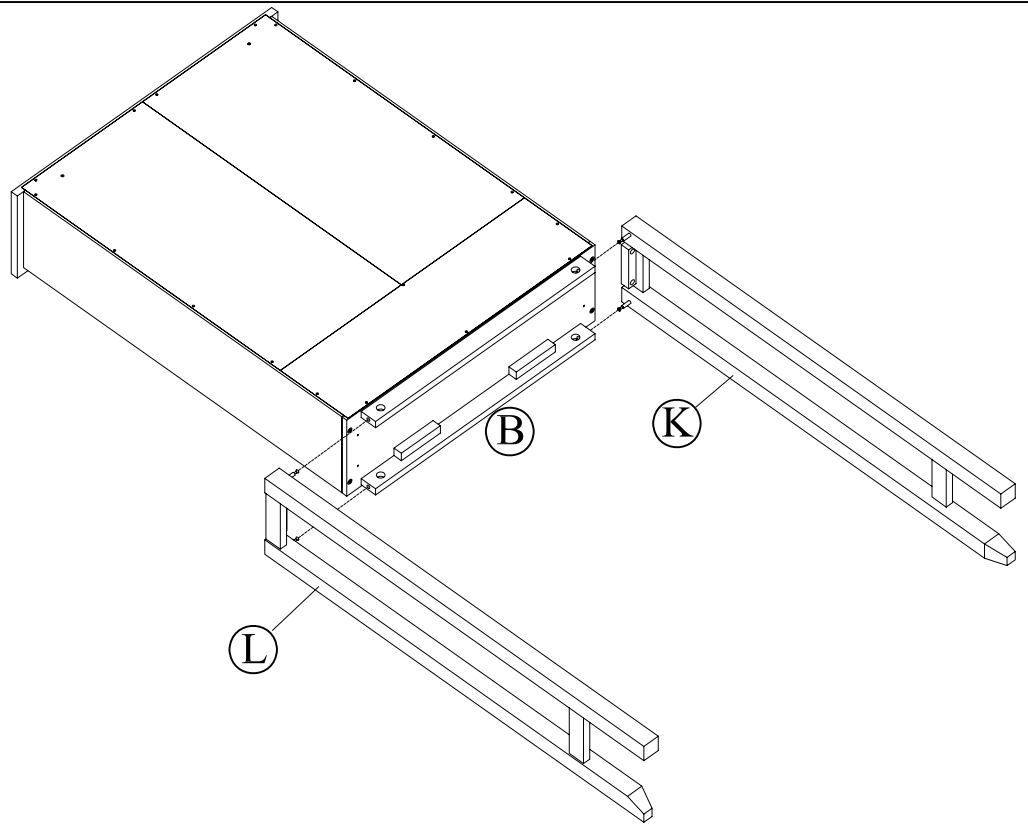


4pcs

4



4pcs

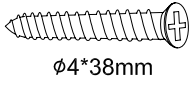


STEP 8:

1. Connect the Bottom Shelf B and the Lower Left Side Frame K and the Lower Right Side Frame L with the Pin #2.
2. Insert the Cam Lock #3 into the hole on the Bottom Shelf B, tighten the Cam Lock #3 to the Pin #2, then insert the Cam Lock Cap #4 when finish.

9

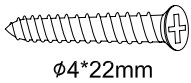
10



Ø4*38mm

4pcs

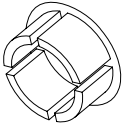
12



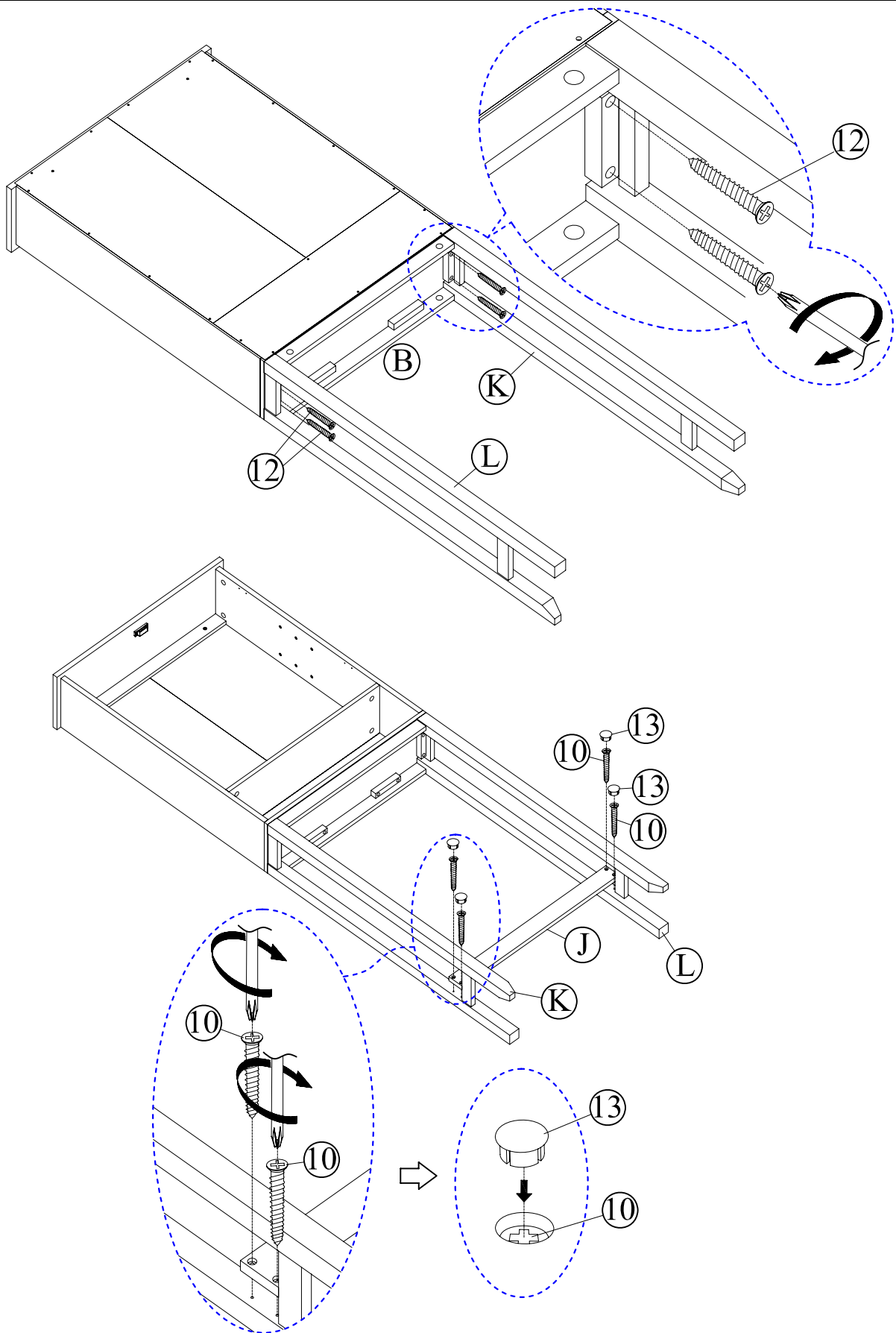
Ø4*22mm

4pcs

13



4pcs

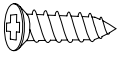


STEP 9:

1. Insert the Screw #12 into the hole on the Bottom Shelf B, and the Screw #12 pass through the hole on the Lower Left Side Frame K and the Lower Right Side Frame L , then tighten the Screw #12.
2. Insert the Screw #10 into the hole on the Lower Left Side Frame K and the Lower Right Side Frame L , and the Screw #10 pass through the hole on the Below Back Lower Rail J , then tighten the Screw #10.
3. Insert the Cam Lock Cover #13 into the hole on the Below Back Lower Rail J.

10

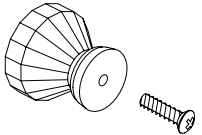
6



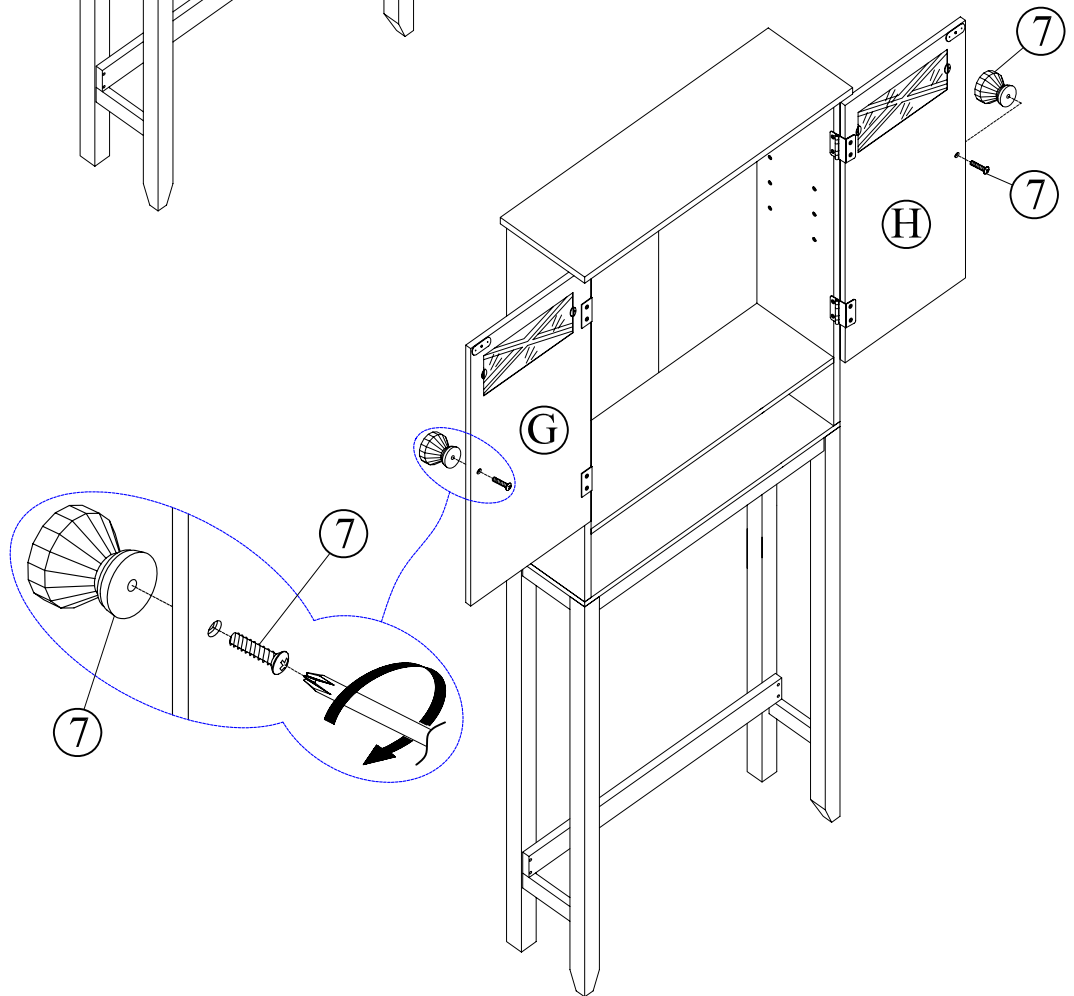
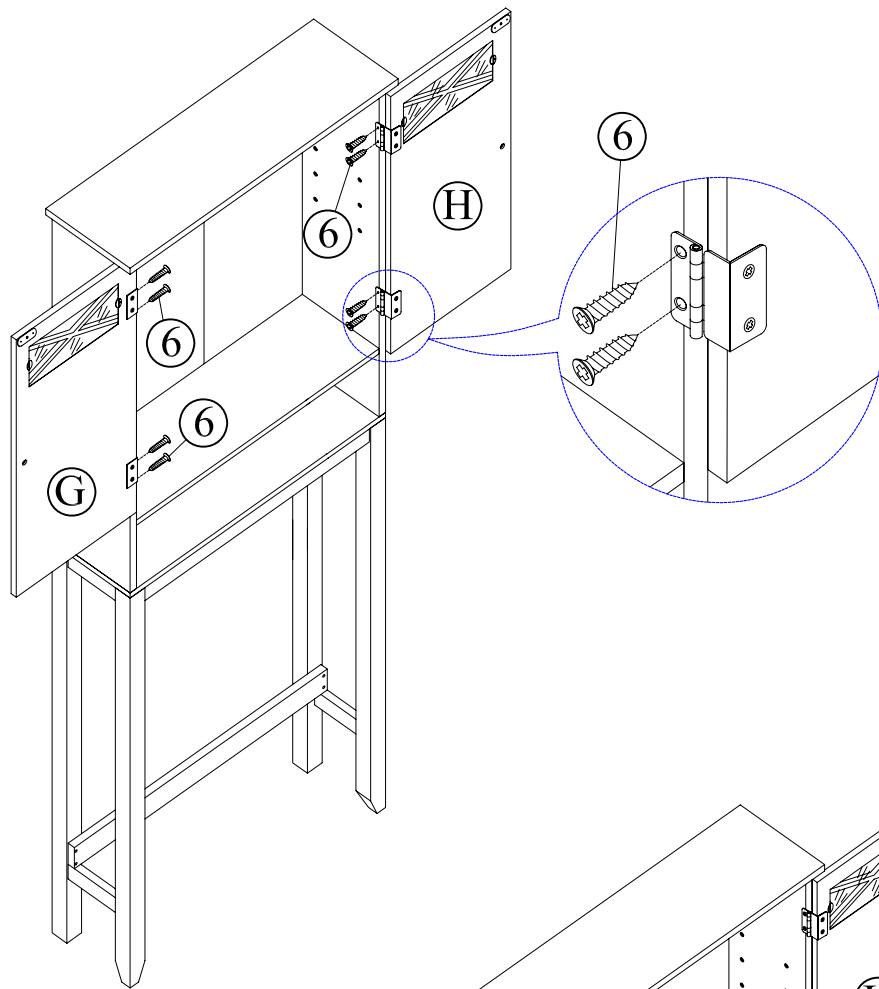
Ø3*11 mm

8pcs

7



2 sets

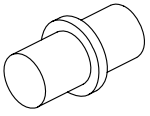


STEP 10:

1. Connect the Left Door G and the Upper Left Side Frame C with the Screw #6, and pass through the hole on the Hinge, then tighten the Screw #6.
2. Connect the Right Door H and the Upper Right Side Frame D with the Screw #6, and pass through the hole on the hinge, then tighten the Screw #6.
3. Attach the Knob #7 to the Left Door G with the Bolt #7, then tighten the Bolt #7.
4. Attach the Knob #7 to the Right Door H with the Bolt #7, then tighten the Bolt #7.

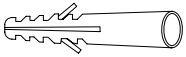
11

9

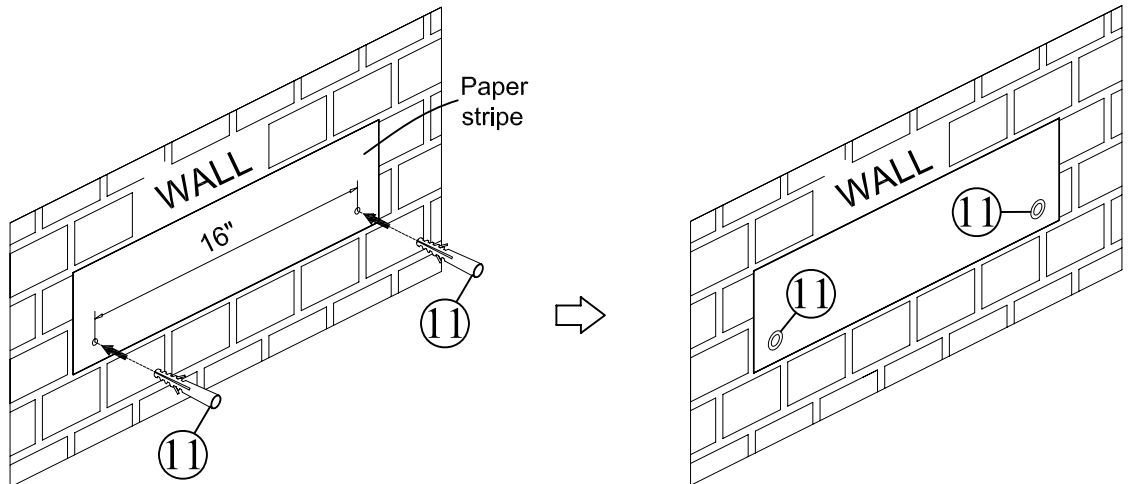
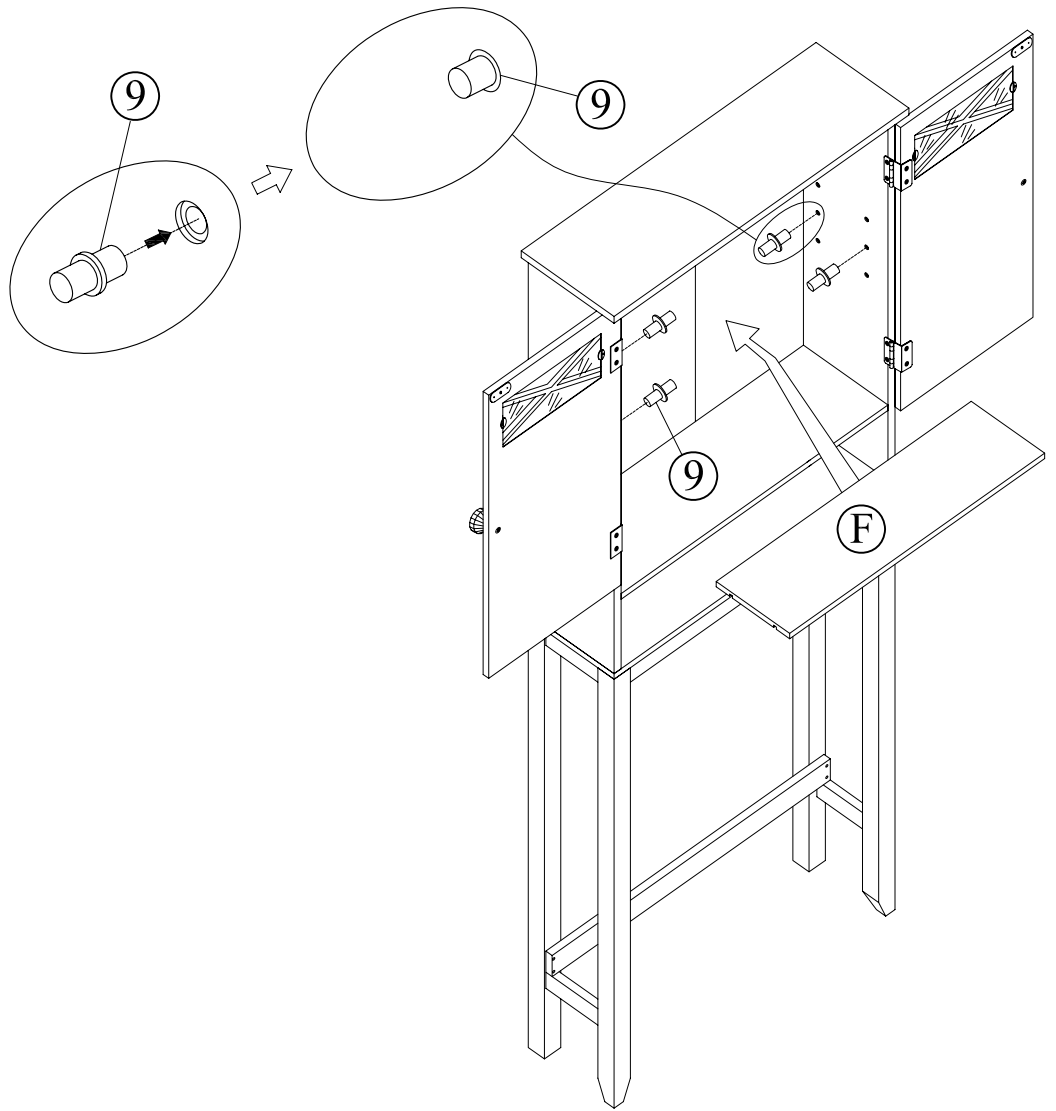


4pcs

11



2pcs

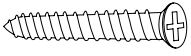


STEP 11:

1. Insert the Shelf Pin #9 into the hole on the Upper Left Side Frame C and the Upper Right Side Frame D.
2. Placed the Adjustable Shelf F on the Shelf Pin #9.
3. We provide Alignment Paper Strip to help you to install the Space Saver on the wall. Place Alignment Paper on the desire location and make sure it is horizontal. Pre-drill anchor holes, and install anchor #11.

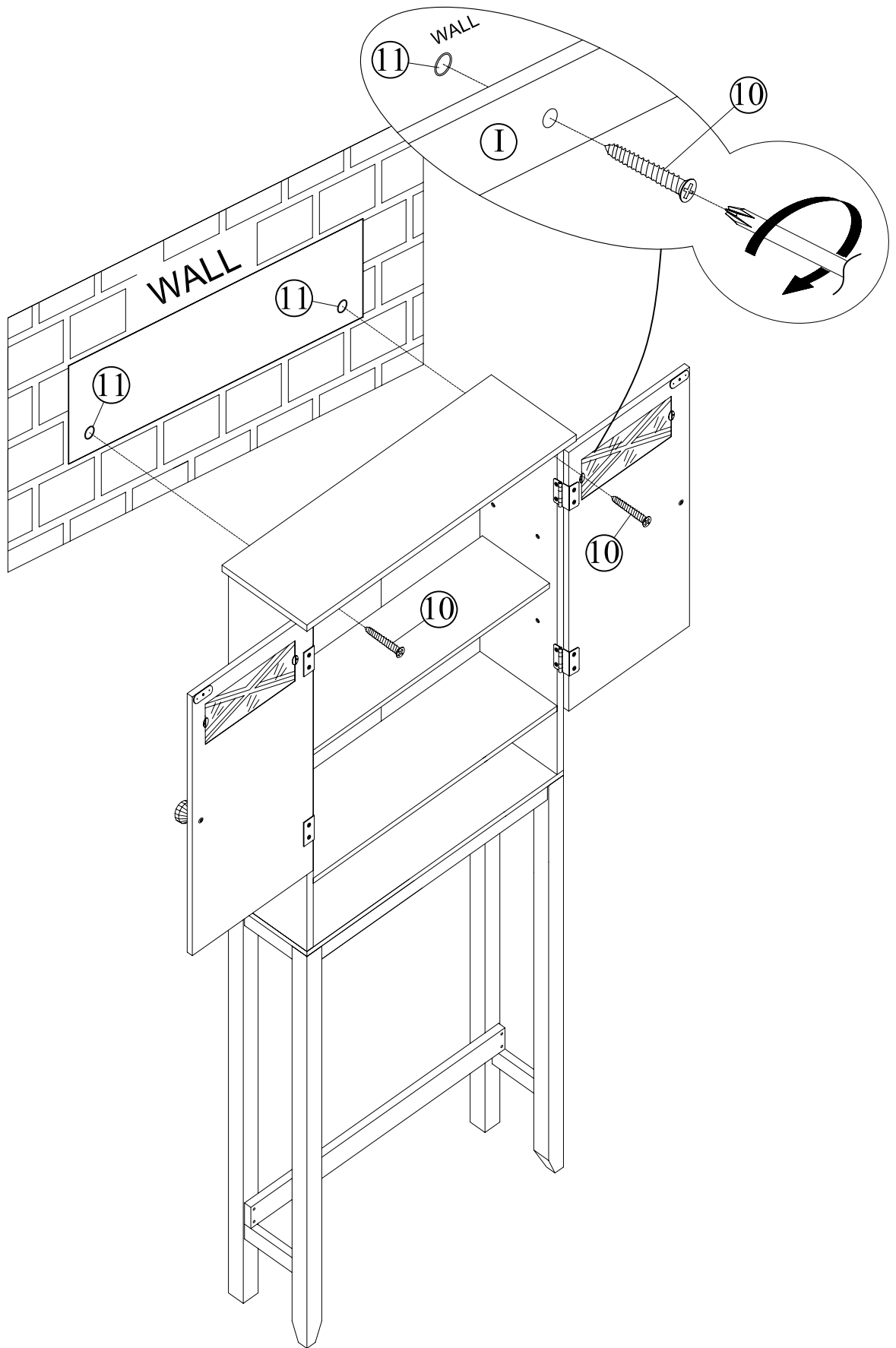
12

10



Ø4*38mm

2pcs



STEP 12:

1. Against the Space Saver on the wall, then aimed the hole on the Upper Back Rail I and the Anchor #11 in the wall.
2. Tighten the screw #10 into the Anchor #11, and pass through the hole on the Upper Back Rail I. In this way, the Space Saver shall be fixed on the wall.

California Proposition 65 Warning

WARNING: This product may contain chemicals known to the state of California to cause cancer, and birth defects or other reproductive harm.

ADVERTENCIA: Este producto puede contener sustancias químicas conocidas en el estado de California como causantes de cáncer, defectos de nacimiento u otros daños reproductivos.

For more information:

<https://oehha.ca.gov/proposition-65>

