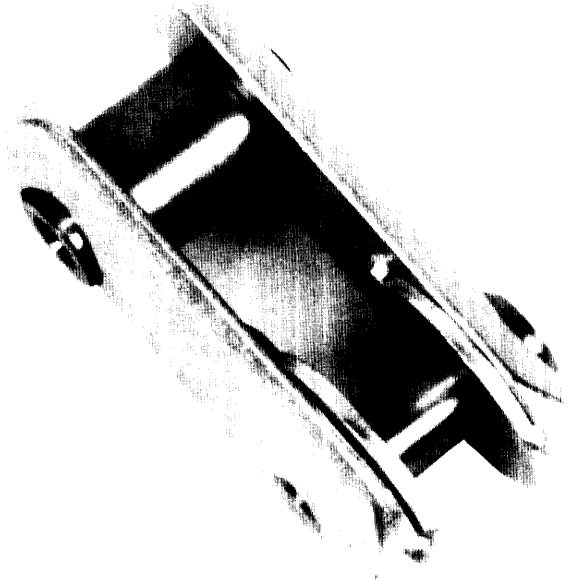


GREENLEE®

578

GRIP CLEVIS



The 578 and 579 Rope Clevises are used to connect a pulling rope to Greenlee K-type and multiple strength wire mesh pulling grips.

These clevises are designed to be used with forged eye grips only, not grips with flexible steel cable pulling eyes.

Select the proper clevis for your grip size:

CAUTION: Always observe the maximum load ratings.

GRIP TYPE	GRIP DIAMETER	CLEVIS	MAXIMUM LOAD RATING
K-Type	.05 - 1.99	578	6,500 lbs.
K-Type	1.00 - 6.99	579	10,000 lbs.
Multiple Strength	.25 - 1.24	578	6,500 lbs.
Multiple Strength	1.00 - 3.99	579	10,000 lbs.

Greenlee Tool
TEXTRON

Greenlee Tool / Subsidiary of Textron Inc.

INSTRUCTIONS

To connect a pulling rope and grip:

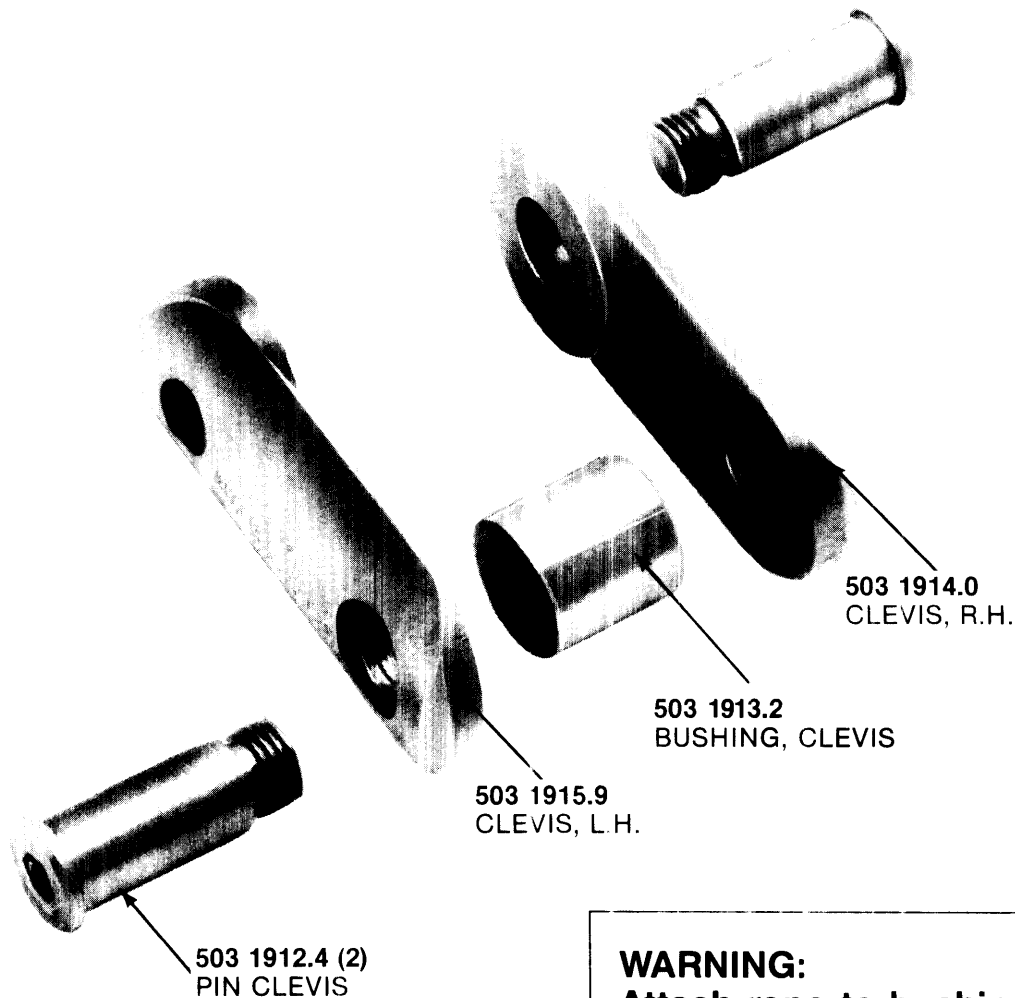
1. Use the Allen wrench provided. Remove the clevis pin that is not used to retain the clevis bushing.
2. Insert the clevis through the eye of the pulling rope so that it is threaded over the clevis bushing.

CAUTION: The pulling rope should always be used on the clevis bushing, not on the clevis pin.

3. Slide the clevis body over the eye of the grip and replace the clevis pin in the clevis and through the grip eye. Pins must be wrench tightened to complete the setup.

CAUTION: The 578 and 579 Greenlee clevises are not designed to be used as a sheave. Serious injury or damage may result if used as a sheave.

EXPLODED VIEW AND PARTS BREAKDOWN 578 Greenlee Grip Clevis



WARNING:

Attach rope to bushing only.

NOTE:

Maximum load rating of 6,500 lbs.