



Extended Warranty
Sign Up

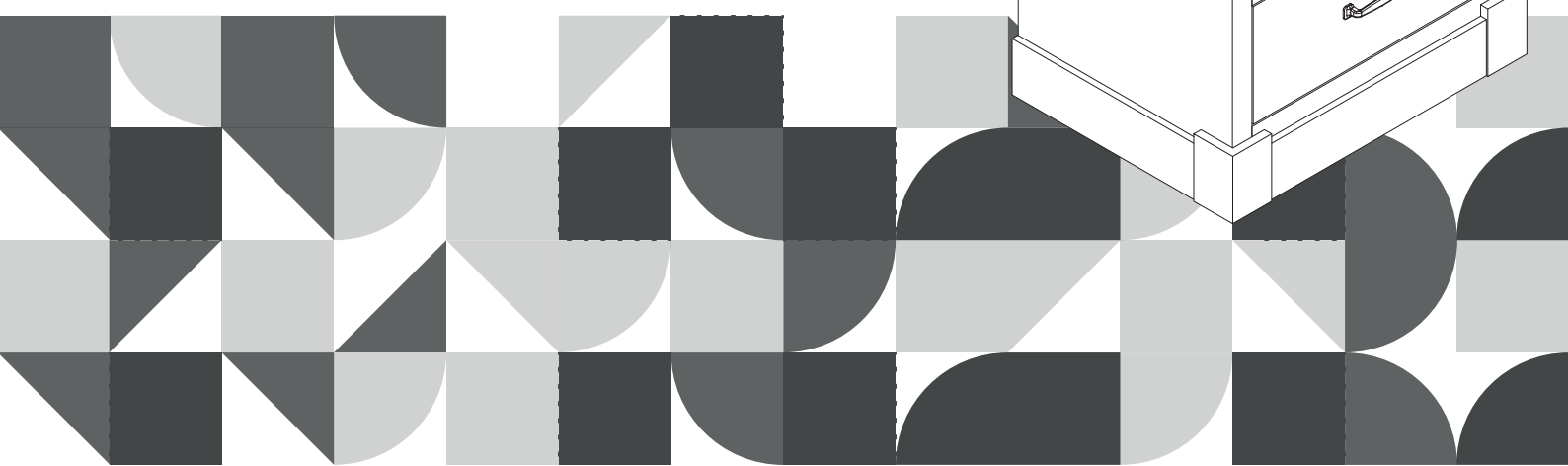
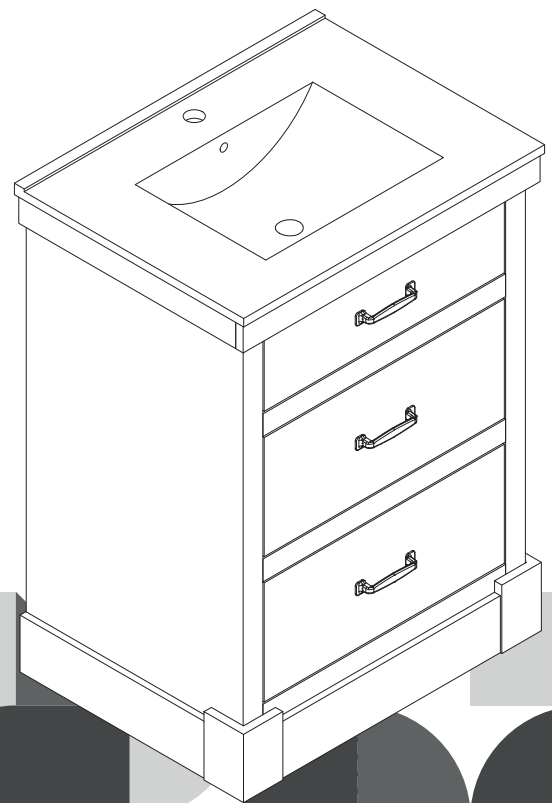
E-1

Welcome home!

**ELG-915LO
ELG-915WA**

TEAMSON HOME

**24" Donovan Vanity With
White Sink 1 Pull Down and
2 Drawers Light Oak/Walnut**





Warranty

LIMITATIONS

All components are warranted by the manufacturer for 30 days after the date of purchase by the original owner against defects in materials and workmanship under normal use. If it is appropriate to replace your product due to specific defects, the manufacturer will replace the purchase with the same or comparable product.

GENERAL TERMS & CONDITIONS

1. Proof of purchase is required to request a claim under this warranty.

2. This warranty applies only to manufacturer error and defects. The warranty applies to the following:

- a. Breaks and cracks in the product that originated with the manufacturer.
- b. Missing pieces.
- c. Stains that occurred during the manufacturing process.

3. This warranty does not apply to the following:

- a. Damage due to improper loading, handling, or transportation.
- b. Any costs associated with the installation and removal of products or parts subject to this warranty.
- c. Acts of God.
- d. Products which have been subject to negligence, abuse, accident, misapplication, tampering, alteration, or modification.
- e. Products which have been subject to improper installation, operation, maintenance, repair, or storage.
- f. Products which have been subject to defects that occur when this product is used incorrectly and /or outside of normal application purposes.
- g. Products that have had, including but not limited to, operational failures caused by corrosion, rust, or other foreign materials in the system, or operation at pressures over recommended maximums.
- h. All other possible defects not mentioned here that would not have occurred during manufacturing or during correct, routing use of the item.

INSTRUCTIONS

For specific instructions on how to obtain warranty service for your product, please contact Global Customer Support using the contact information provided on page 01. In most circumstances, you will need to return your product either in its original packaging or in equally protective packaging to the address specified by Global Customer Support.

Before delivering your product for warranty service, it is your responsibility to remove all personal items and belongings you have stored with our product. Teamson is not responsible for the possible loss, destruction, or damage of any personal items or belongings that have been sent with the product.

DISCLAIMER

Any oral statements made about the product by the seller, the manufacturer, the representatives, or any other parties do not constitute warranties should not be relied upon by the user and are not part of the contract for sale. The seller's and manufacturer's only obligation, and buyers only remedy shall be for the manufacturer to either replace and/or repair at the manufacturer's sole discretion, the product as described above. Neither seller nor the manufacturer shall be liable for an injury, loss, or damages for lost profits, lost sales, injury to person or property, or any other incidental or consequential loss arising from any cause whatsoever, no matter whether based upon warranty, contract, negligence or other misuse, and the buyer and user agree that no other remedy shall be available to them. Before using the buyer and user shall determine the suitability of the product for intended use and assume all risk and liability whatsoever in connection therewith. The warranty and remedy described in this limited warranty is an exclusive warranty and remedy instead of any other warranty or remedy expressed or implied. All other warranties and remedies are hereby expressly excluded, including but not limited to any implied warranty of merchantability of fitness for any particular purpose.

OTHER LEGAL RIGHTS

The warranty gives the buyer and user specific legal rights, and the buyer and user may also have other rights which vary for state to state. Some states do not allow exclusions or limitations or incidental or consequential damages, so the above limitations or exclusions may not apply to you.

THANK YOU

We appreciate the trust and confidence you have placed in Teamson through the purchase of this product. We strive to continually create quality products designed to enhance your home and life. Visit us online to see our full line of products available for your home décor, toy, and pet needs. Thank you for choosing Teamson!

Global Customer Support

USA / CA — ✉ support@teamson.com
+1(770) 246-4898
Mon - Fri 9 AM - 4 PM EST



EU / UK — ✉ support@teamson.co.uk
+44(0)1952-916-050
Mon - Thur 9 AM - 5 PM GMT
Fri 9 AM - 4 PM GMT



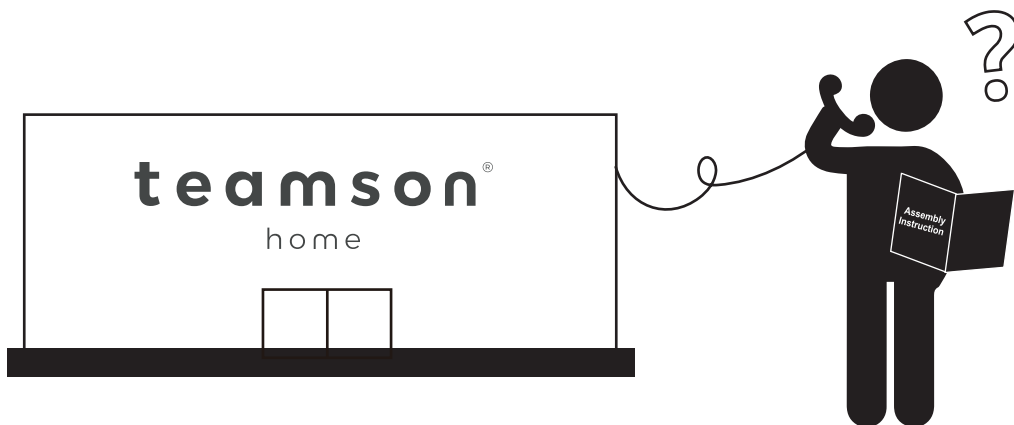
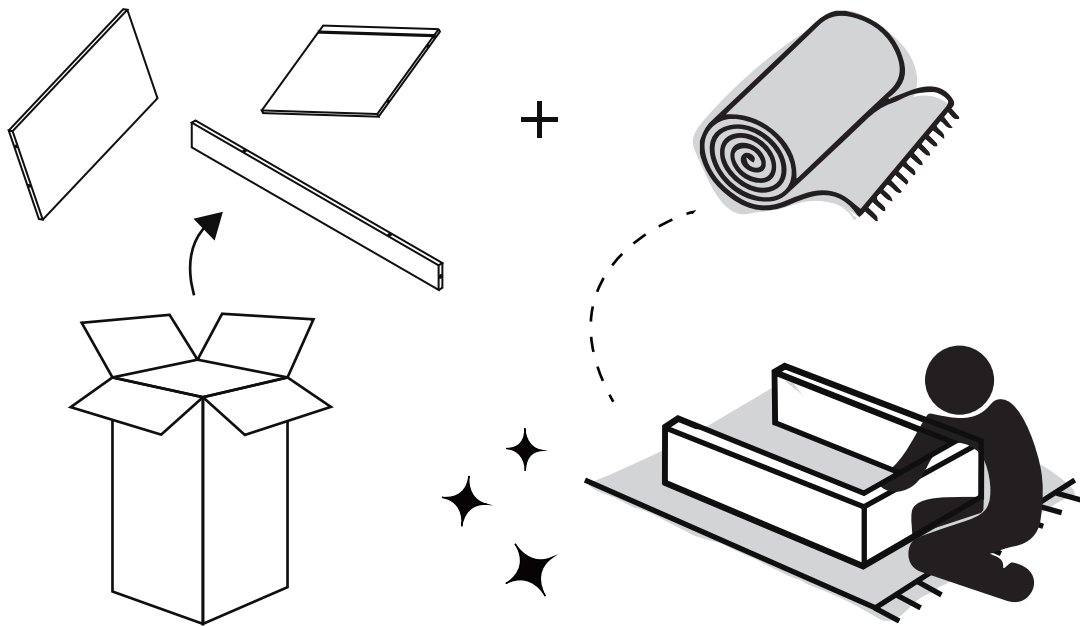
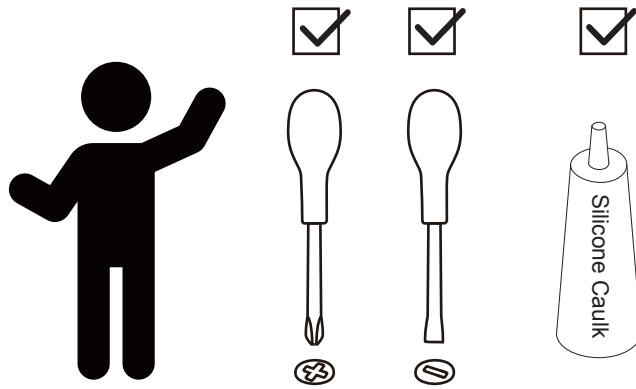
ASIA — 深圳办公室：
✉ sales_ec@teamson.com
+86(0755)8885-3558.分机号108
Mon - Sat 9 AM - 5 PM GMT+8

台北辦公室：

✉ support@teamson.com.tw
+886 2 2558 0755 ext. 318
Mon - Fri 9 AM - 5 PM GMT+8

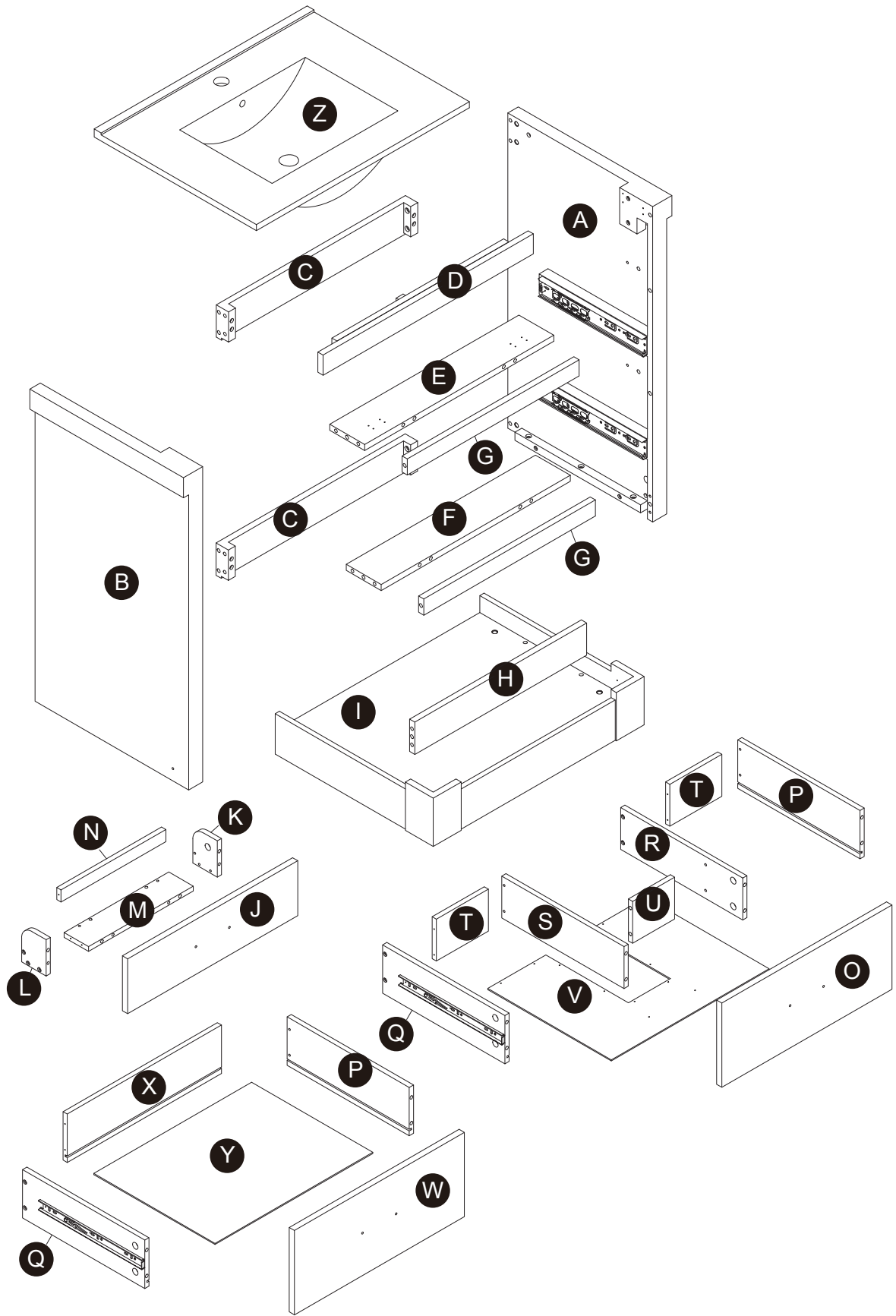


AU — ✉ support@teamson.com.au



Any questions? Please contact our customer support team by email or phone. We are always ready to assist you! Please have the product item number ready, (located on the first page of this instruction manual) and your order number available.

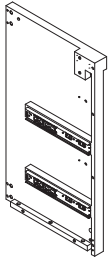
Exploded Drawing



Scan for assembly instructions.

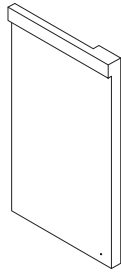
Product Parts

A



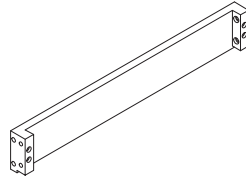
1PC

B



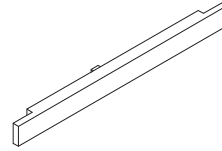
1PC

C



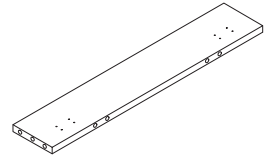
2PCS

D



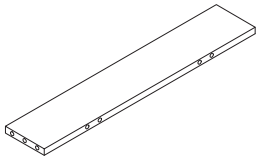
1PC

E



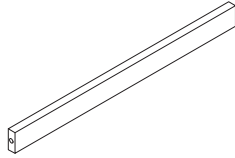
1PC

F



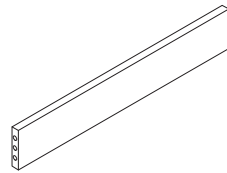
1PC

G



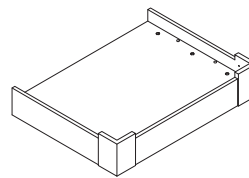
2PCS

H



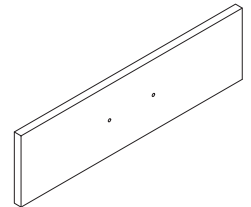
1PC

I



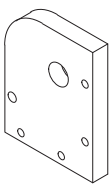
1PC

J



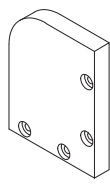
1PC

K



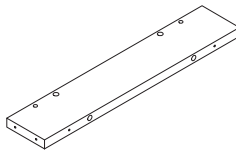
1PC

L



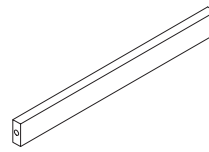
1PC

M



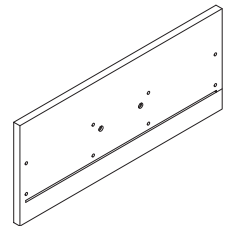
1PC

N



1PC

O



1PC



Scan for assembly instructions.

▲ Care Instructions

To clean the sink, use water and a chemical-free cleaner.

Dust the surface with a soft, dry cloth to clean the cabinet.

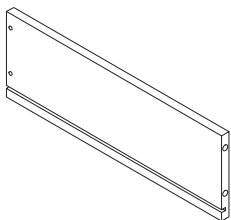
Do not use window cleaners or cleaning abrasives as they will scratch the surfaces and could damage the protective coating.

▲ WARNING

Small parts and sharp edges may be present prior to assembly.

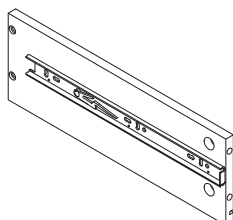
Product Parts

P



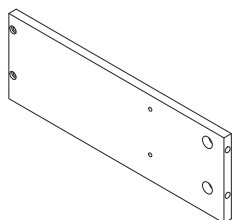
2PCS

Q



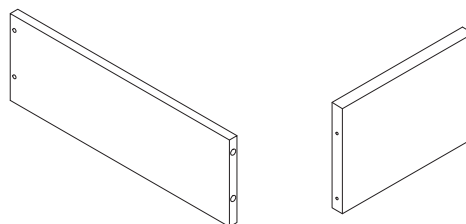
2PCS

R



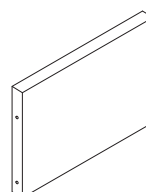
1PC

S



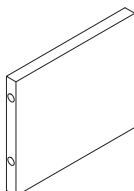
1PC

T



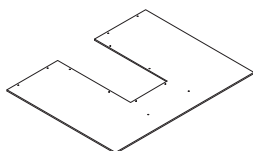
2PCS

U



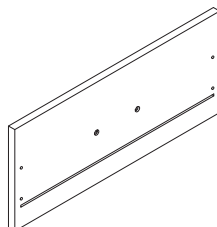
1PC

V



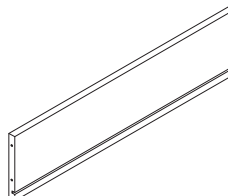
1PC

W



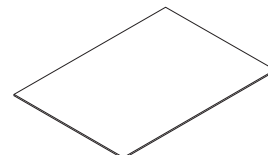
1PC

X



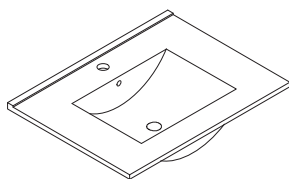
1PC

Y



1PC

Z



1PC

▲ Care Instructions

To clean the sink, use water and a chemical-free cleaner. Dust the surface with a soft, dry cloth to clean the cabinet. Do not use window cleaners or cleaning abrasives as they will scratch the surfaces and could damage the protective coating.

▲ WARNING

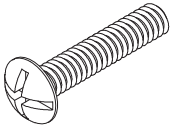
Small parts and sharp edges may be present prior to assembly.



Scan for assembly instructions.

Hardware

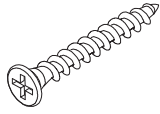
1



1/4"*25mm

14+1 pcs

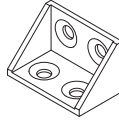
2



Ø4*25mm

22+2 pcs

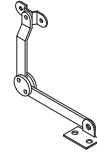
3



33*20*20mm

2 pcs

4



1 pc

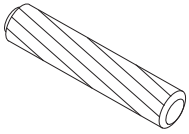
5



Ø3*12mm

4 pcs

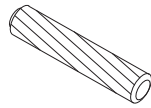
6



Ø8*30mm

28+2 pcs

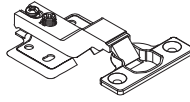
7



Ø6*30mm

6 pcs

8



2 pcs

9



Ø4*12mm

20+2 pcs

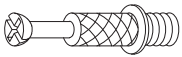
10



Ø3*15mm

12+1 pcs

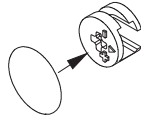
11



Ø6*33mm

36+2 pcs

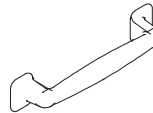
12



Ø15*9mm

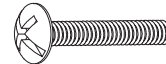
36+2 pcs

13



3 pcs

14




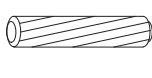
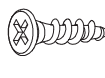
5/32"*15mm

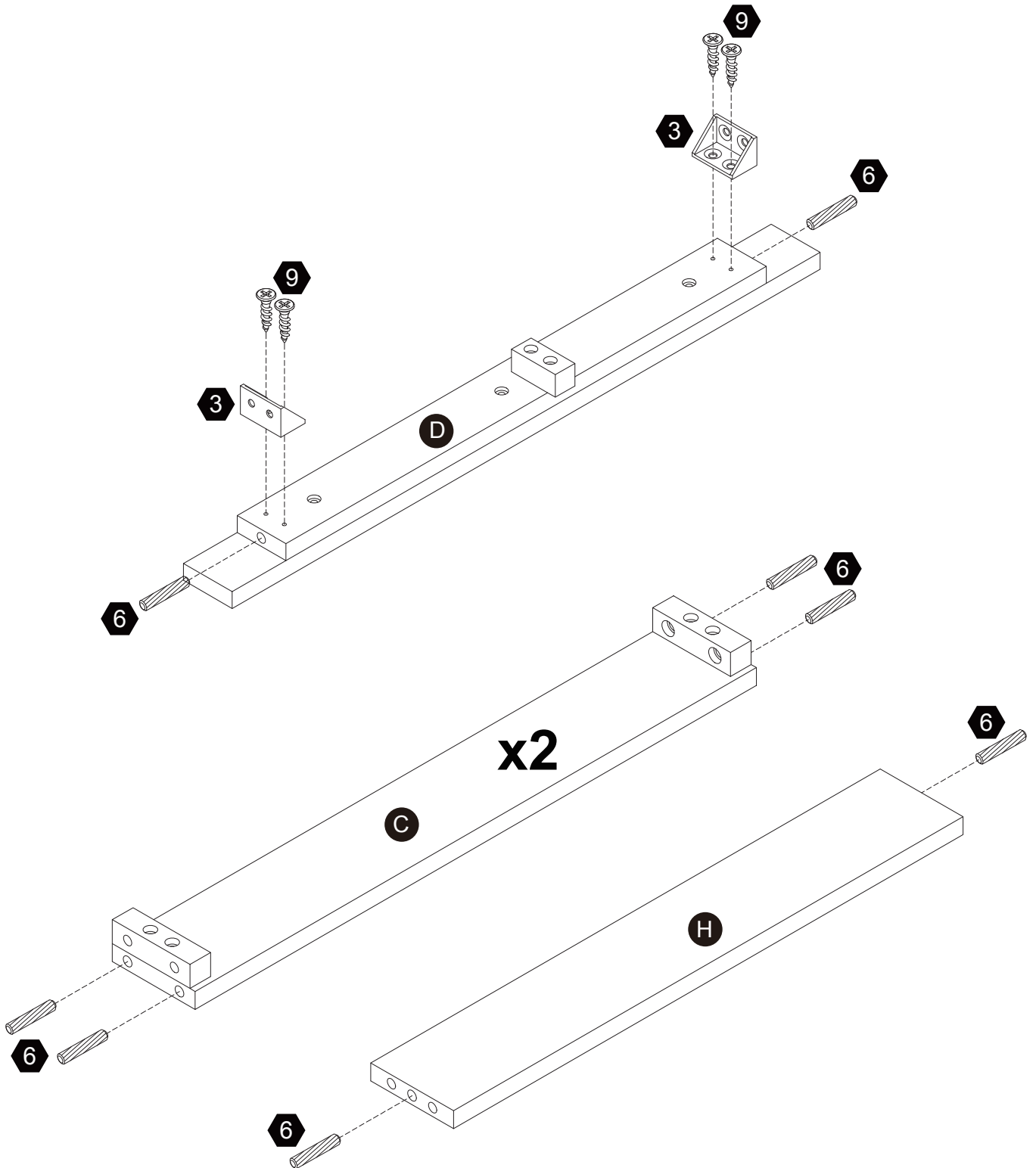
6 pcs



Scan for assembly instructions.

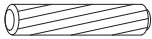


Step 1

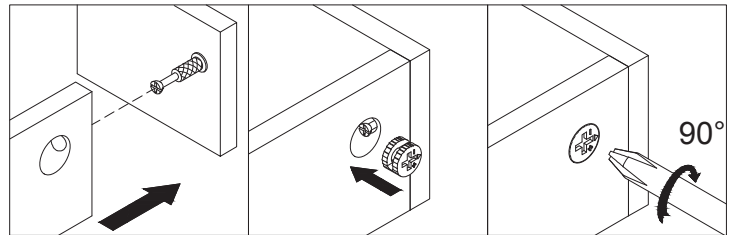
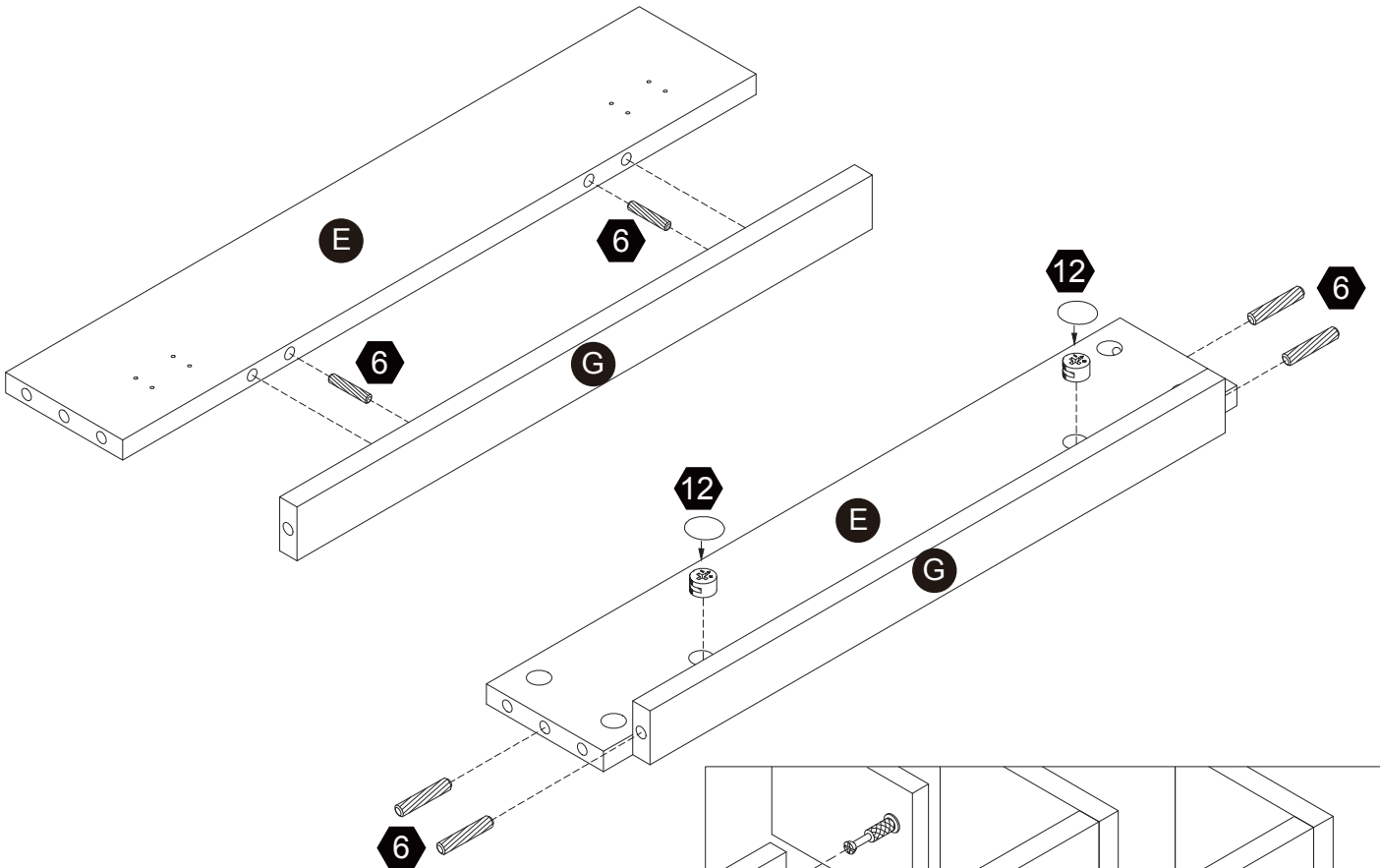
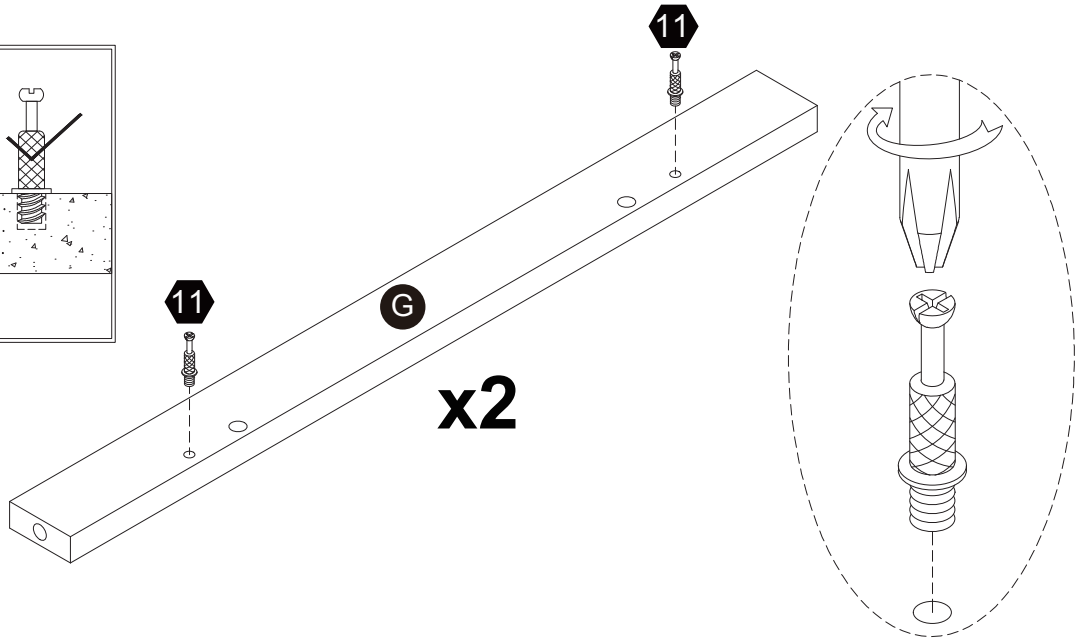
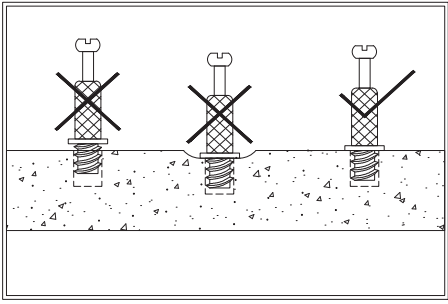
3  2 pcs **6**  12 pcs **9**  4 pcs



Scan for assembly instructions.




Step 2

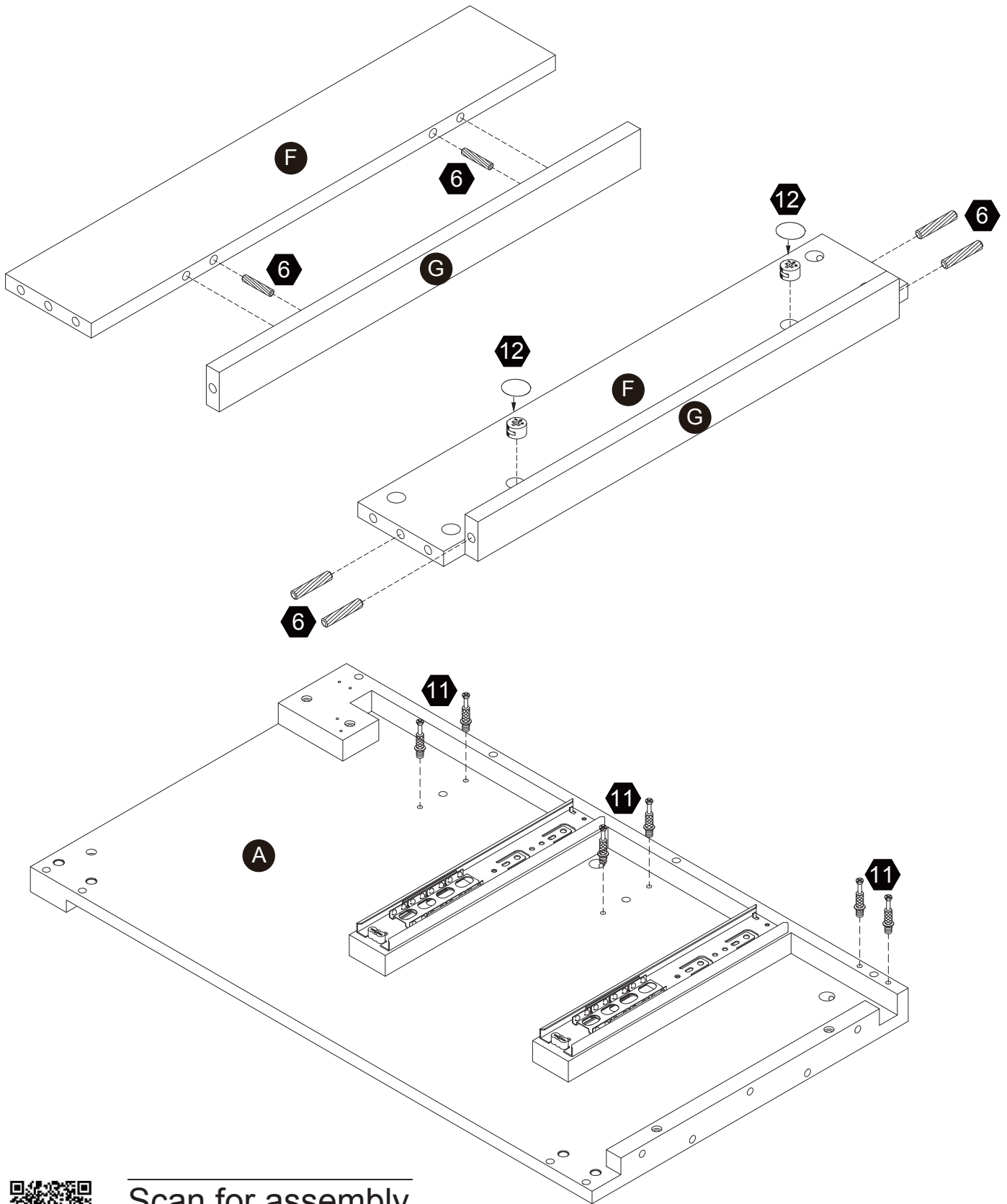
- 6**  6 pcs
- 11**  4 pcs
- 12**  2 pcs



Scan for assembly instructions.

Step 3

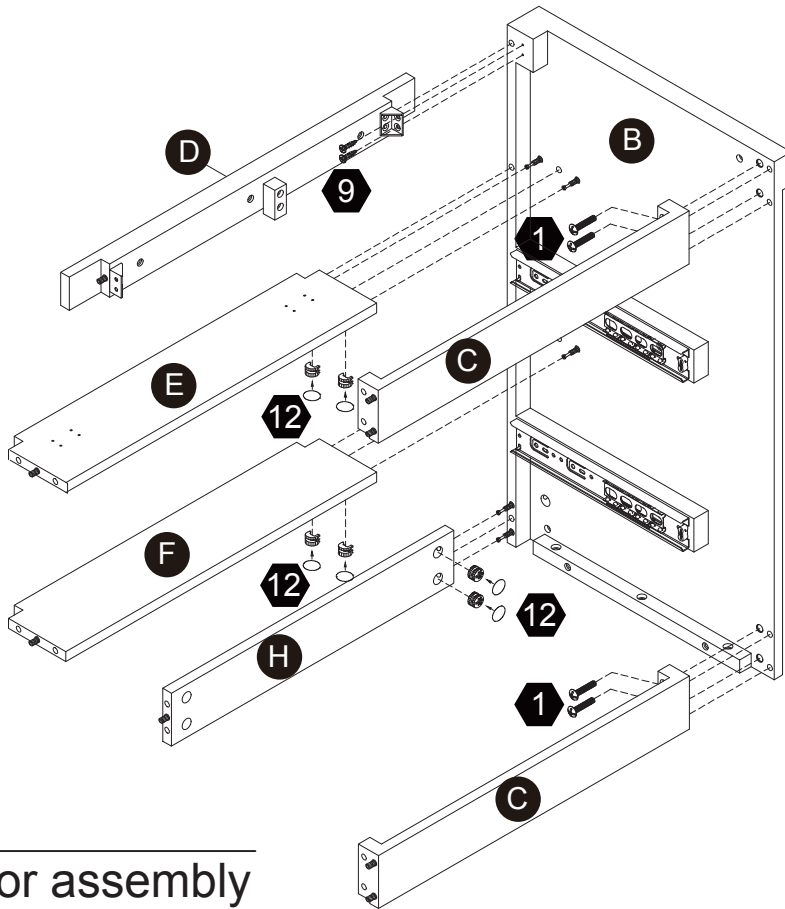
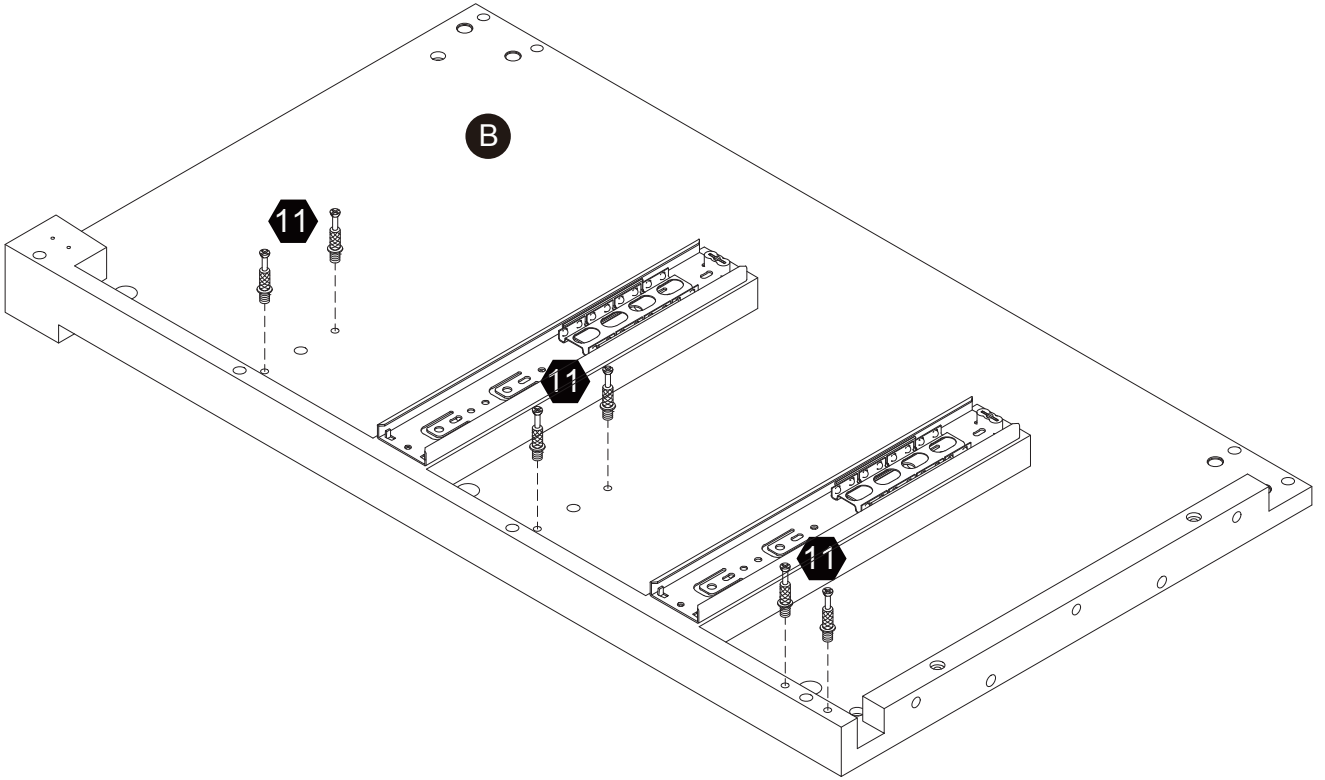
- 6**  6 pcs
- 11**  6 pcs
- 12**  2 pcs



Scan for assembly instructions.

Step 4

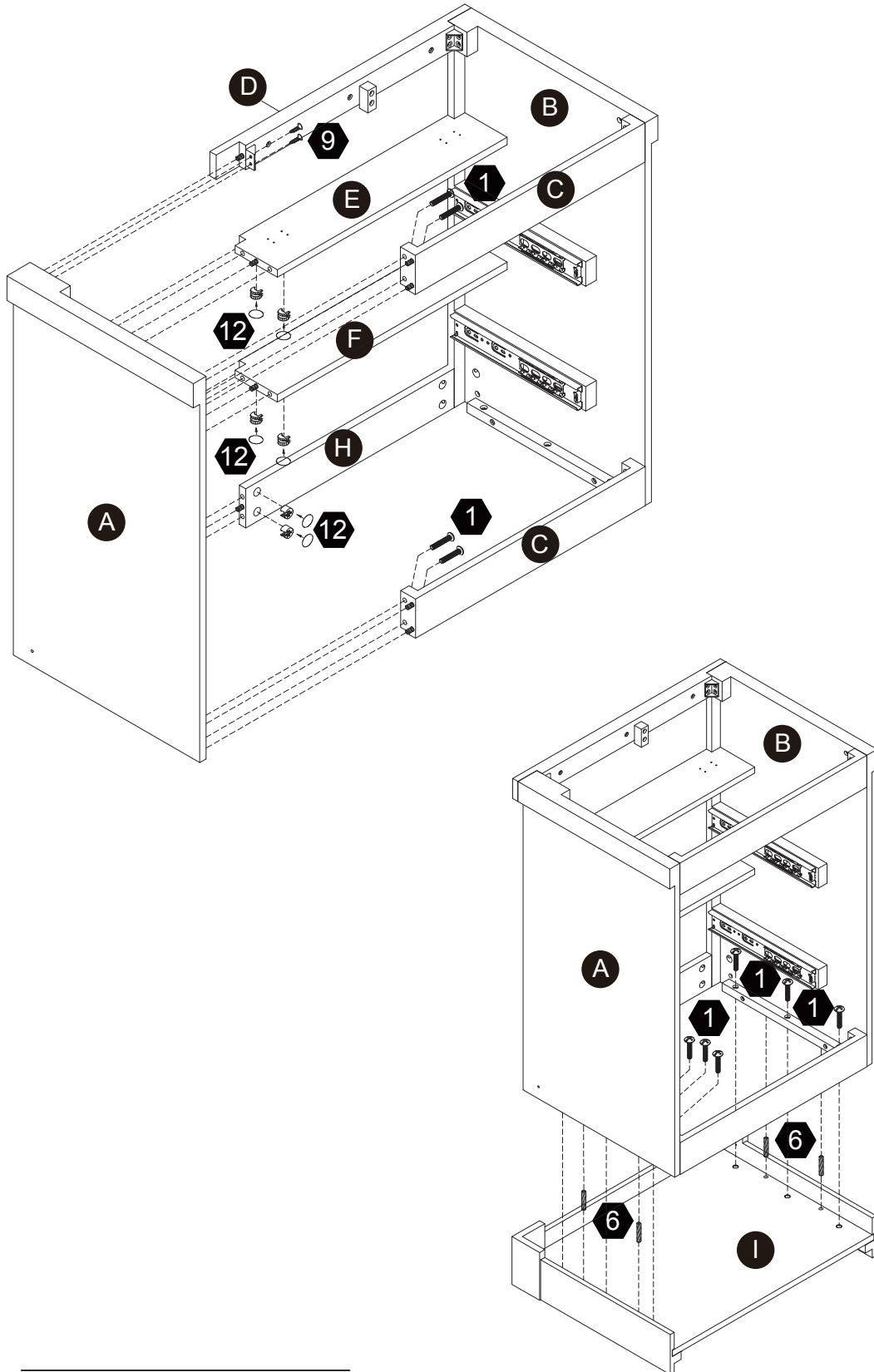
- 1**  4 pcs
- 9**  2 pcs
- 11**  6 pcs
- 12**  6 pcs



Scan for assembly instructions.

Step 5

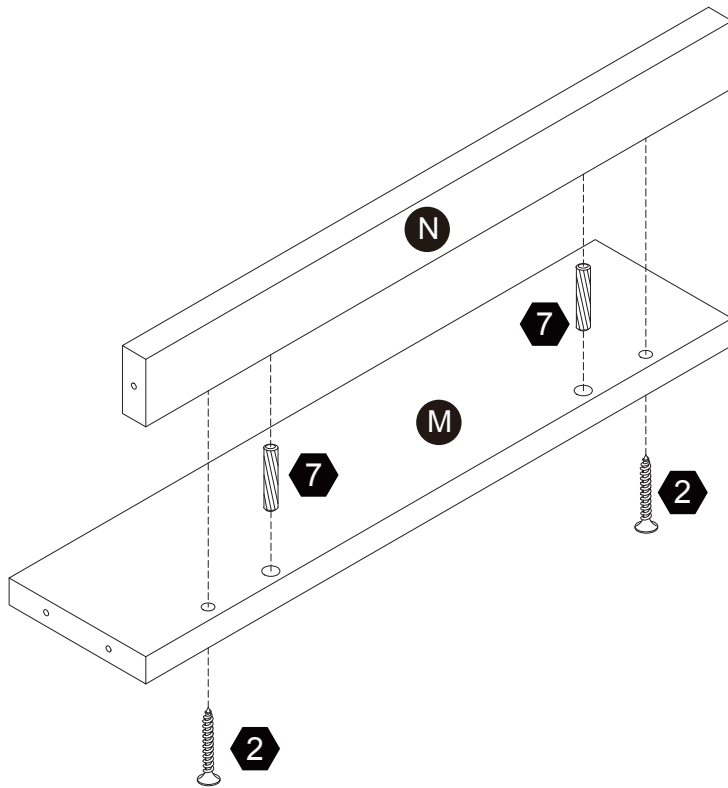
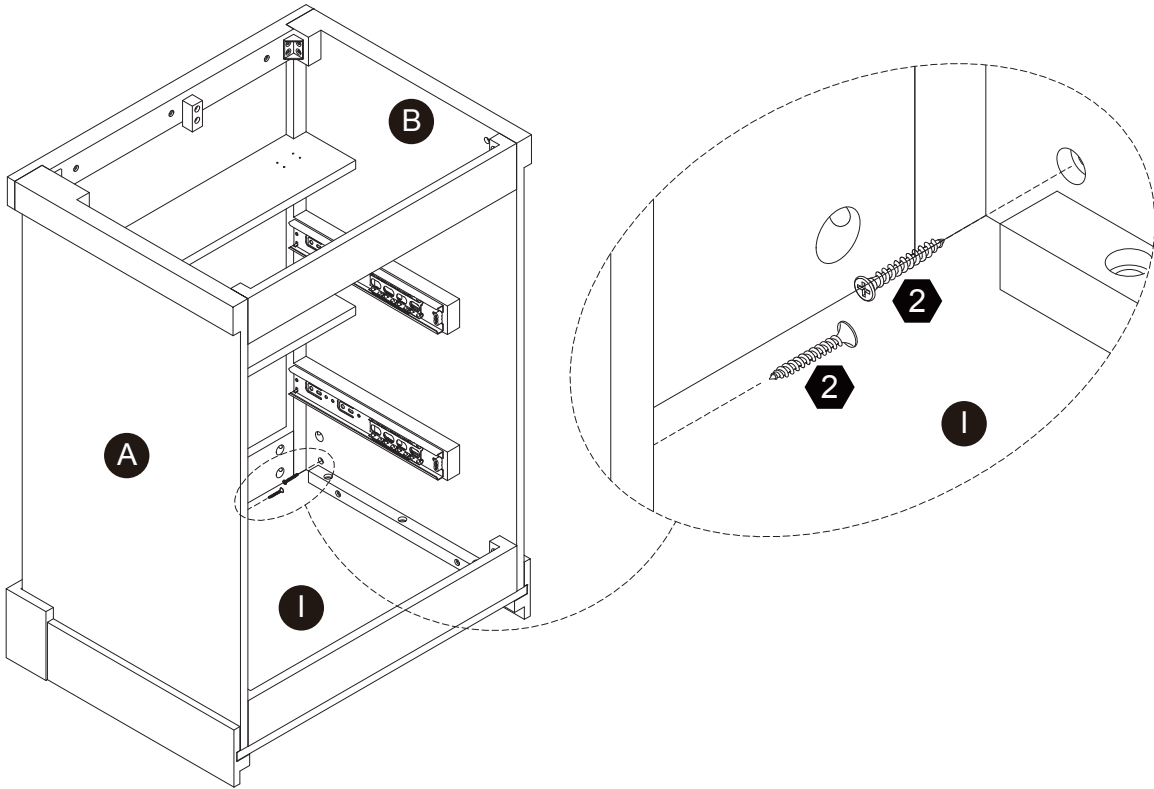
- 1**  10 pcs
- 6**  4 pcs
- 9**  2 pcs
- 12**  6 pcs



Scan for assembly instructions.

Step 6


2  4 pcs **7**  2 pcs



Scan for assembly instructions.


Step 7

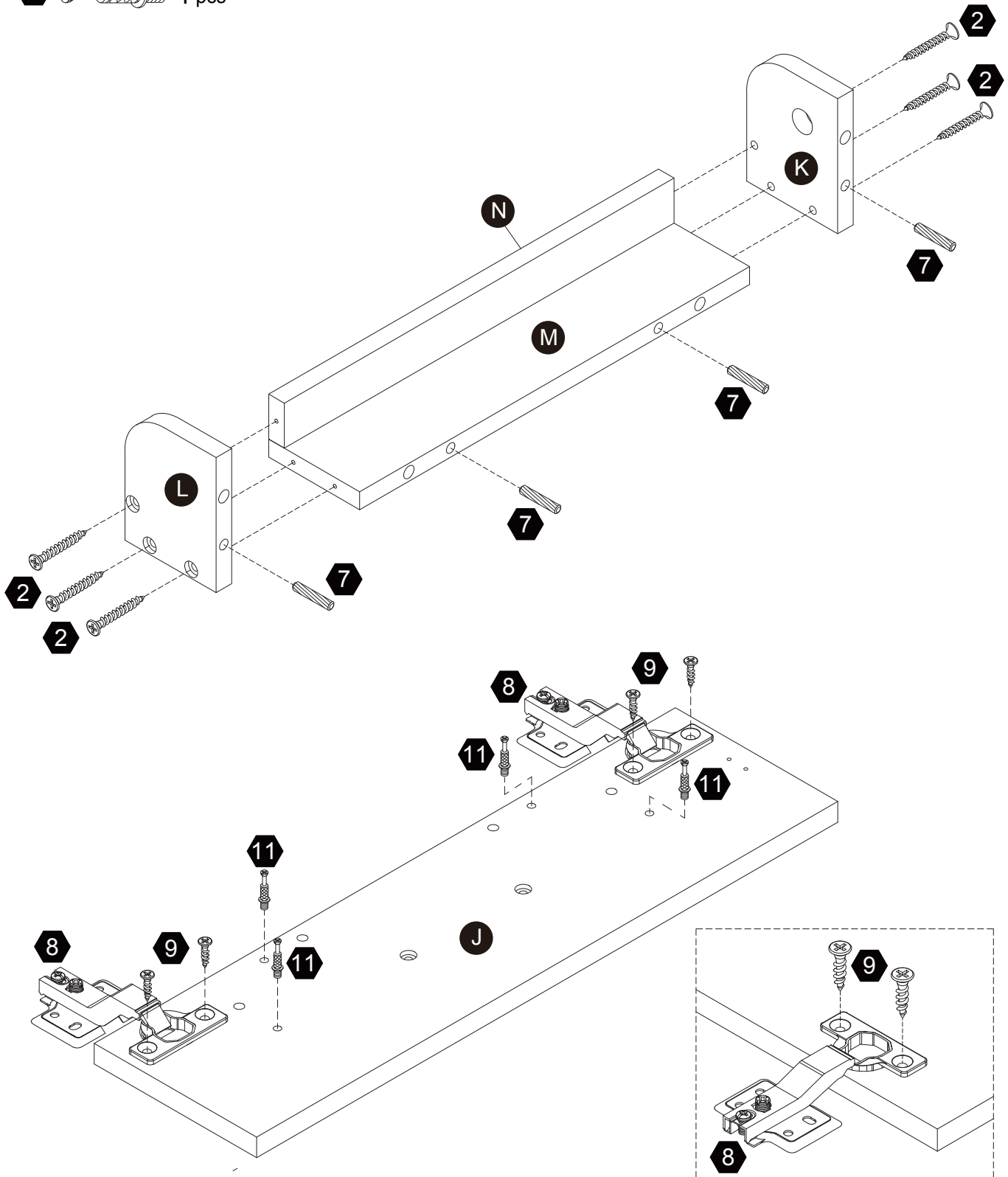
2  6 pcs

7  4 pcs

8  2 pcs

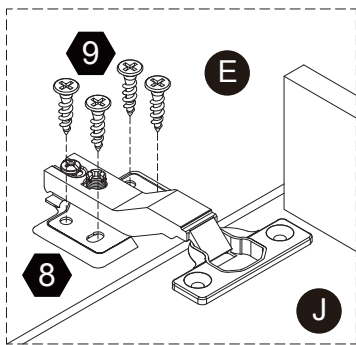
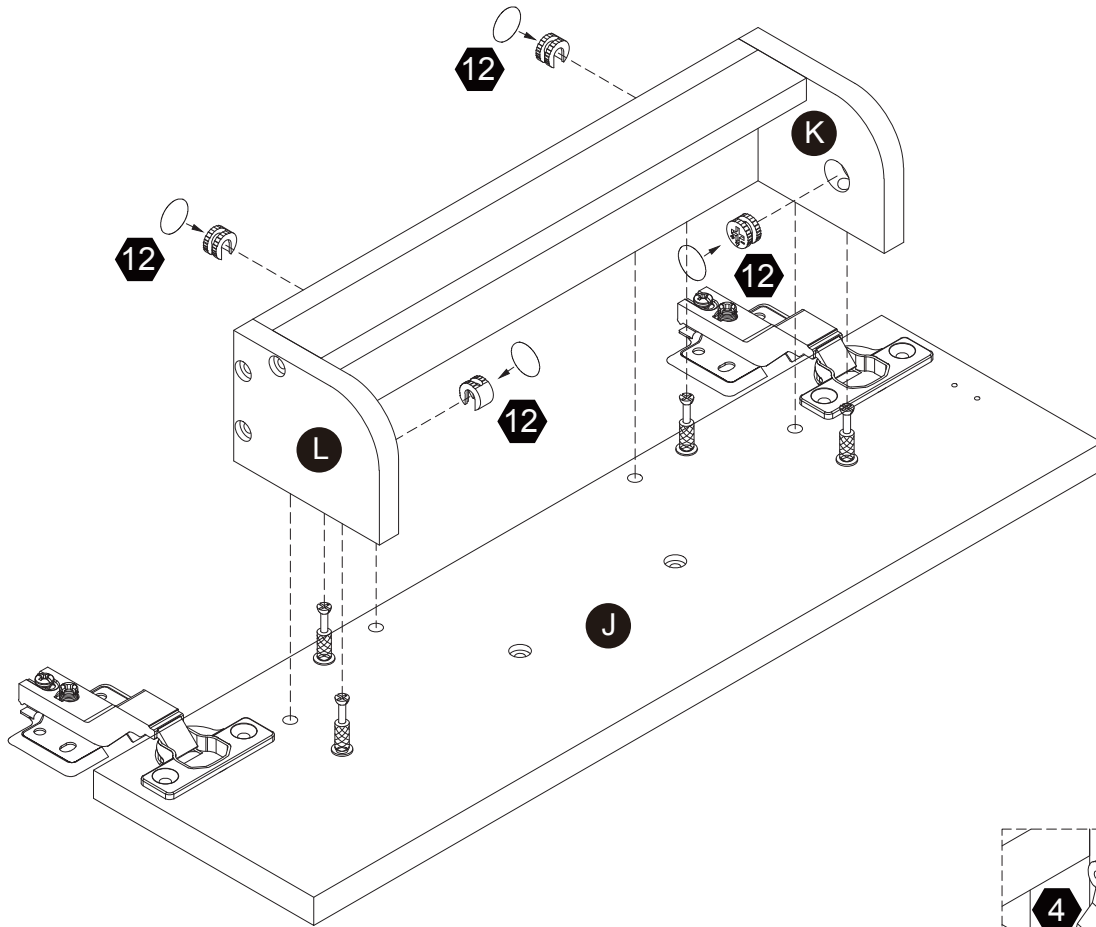
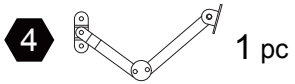
9  4 pcs

11  4 pcs

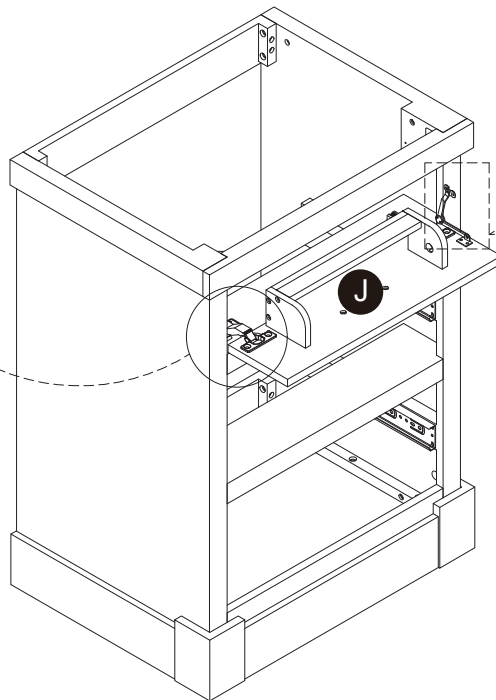
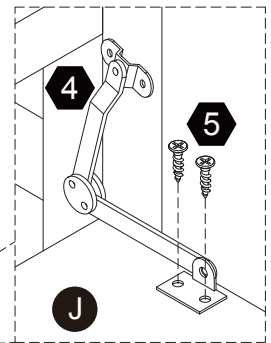


Scan for assembly instructions.

Step 8



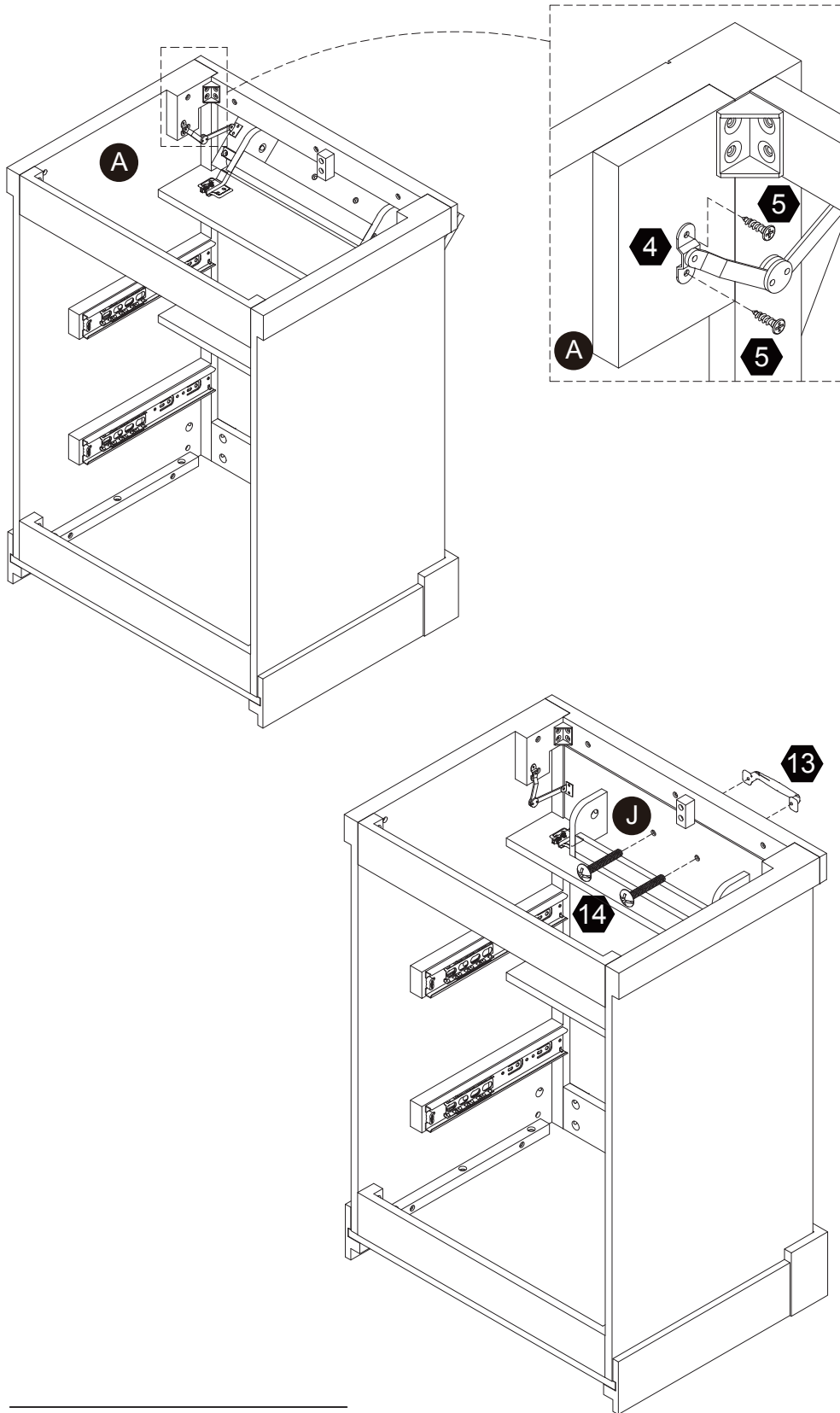
x2



Scan for assembly instructions.


Step 9

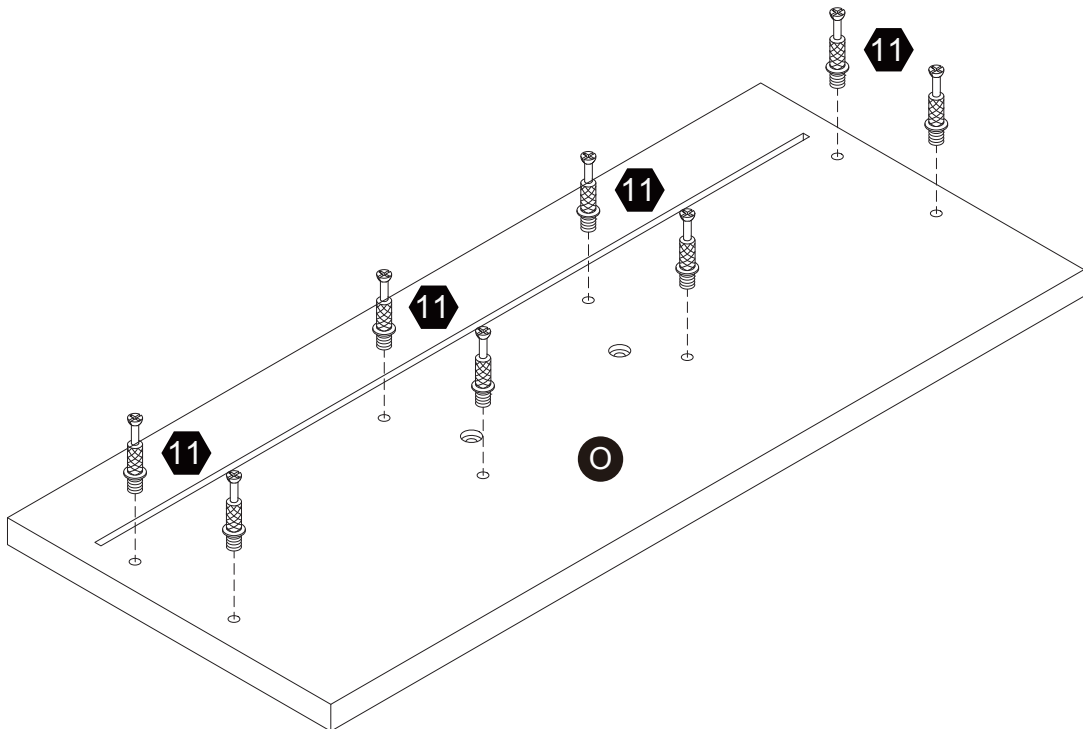
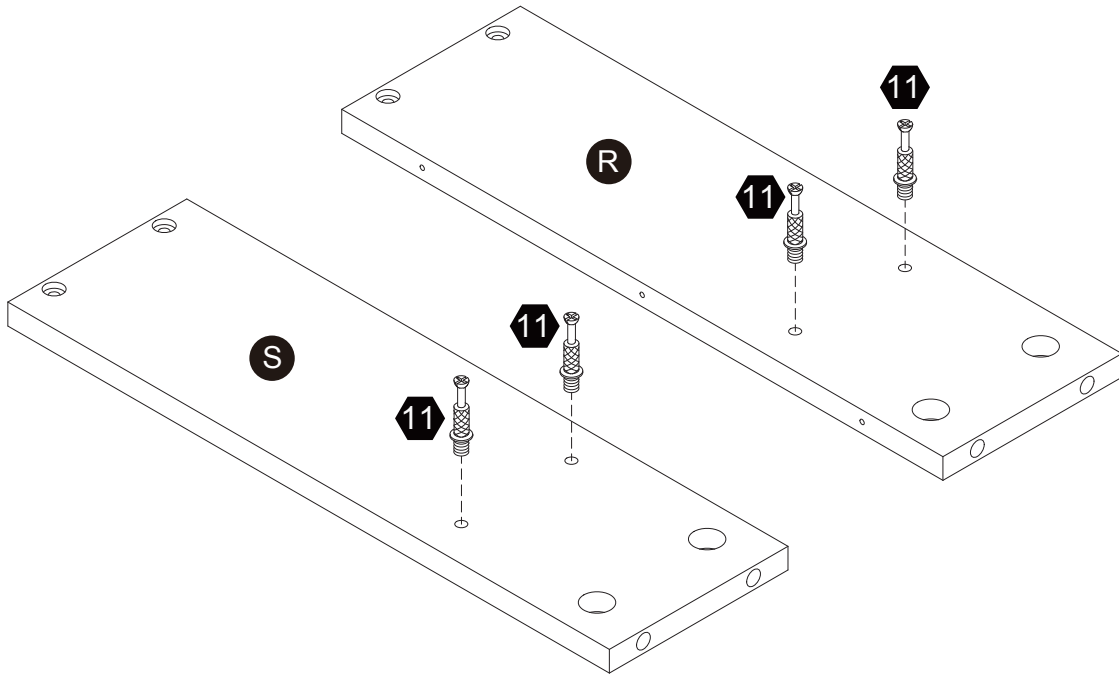
- 5  2 pcs
- 13  1 pc
- 14  2 pcs



Scan for assembly instructions.

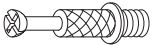
Step 10

11  12 pcs



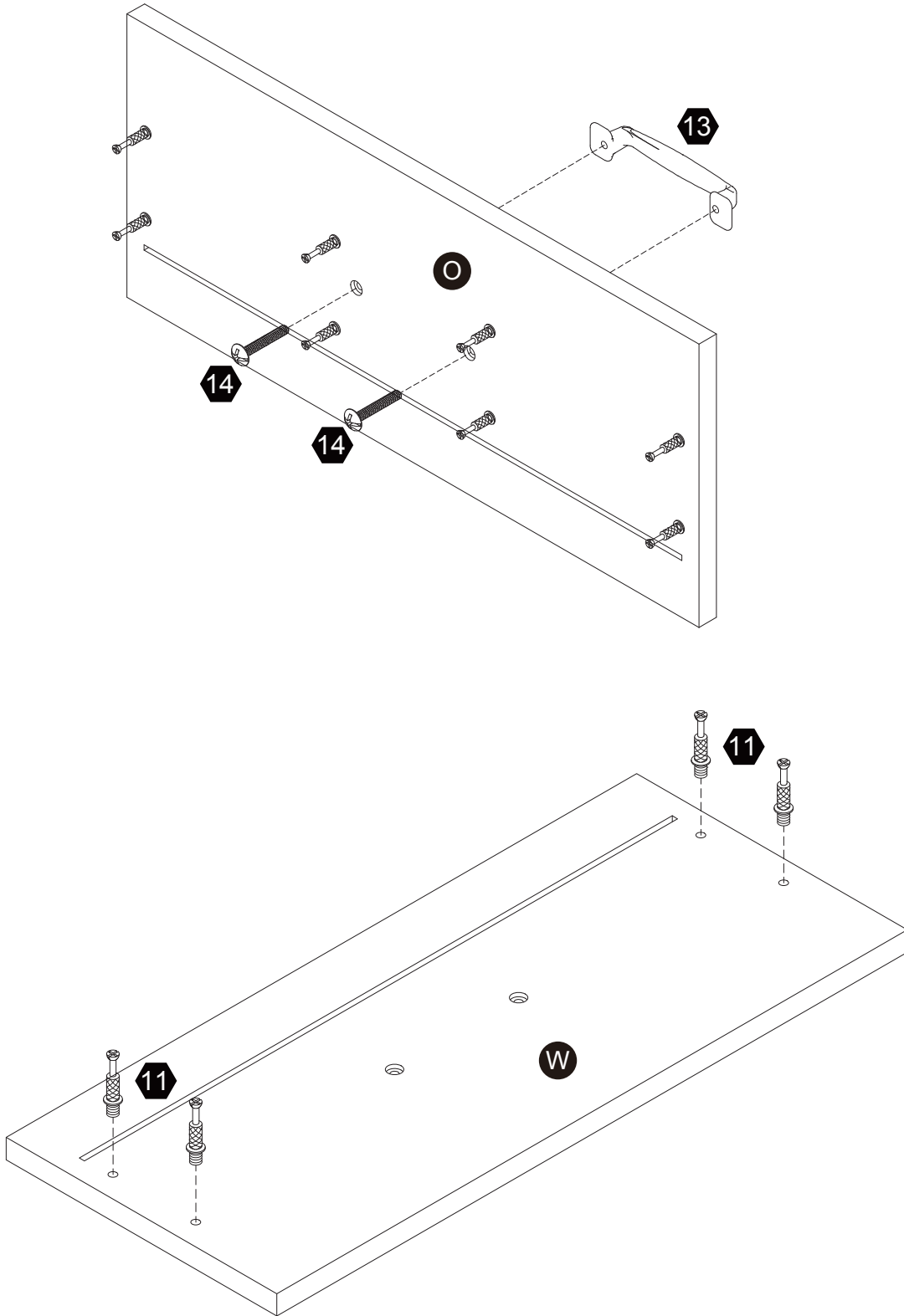
Scan for assembly instructions.

Step 11

11  4 pcs

13  1 pc

14  2 pcs



Scan for assembly instructions.

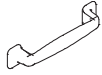
Step 12

12



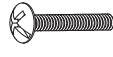
4 pcs

13

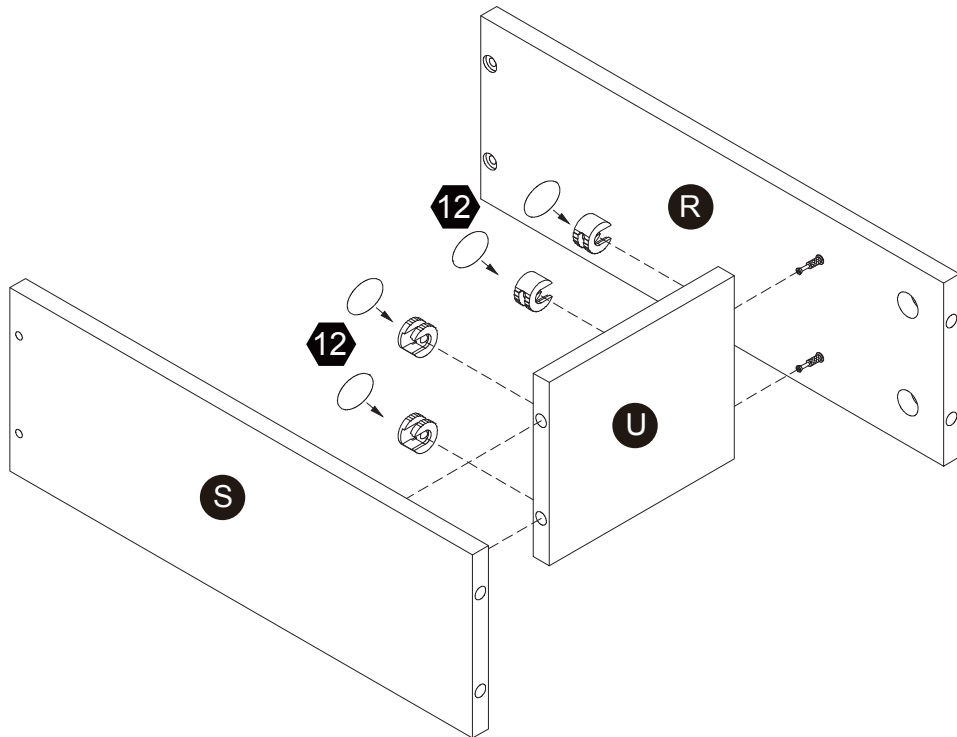
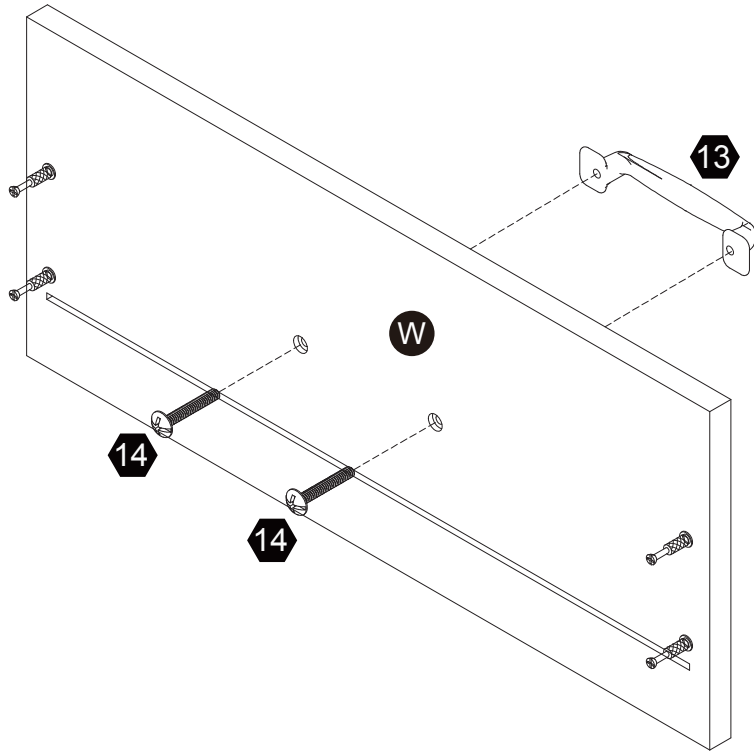


1 pc

14



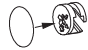
2 pcs

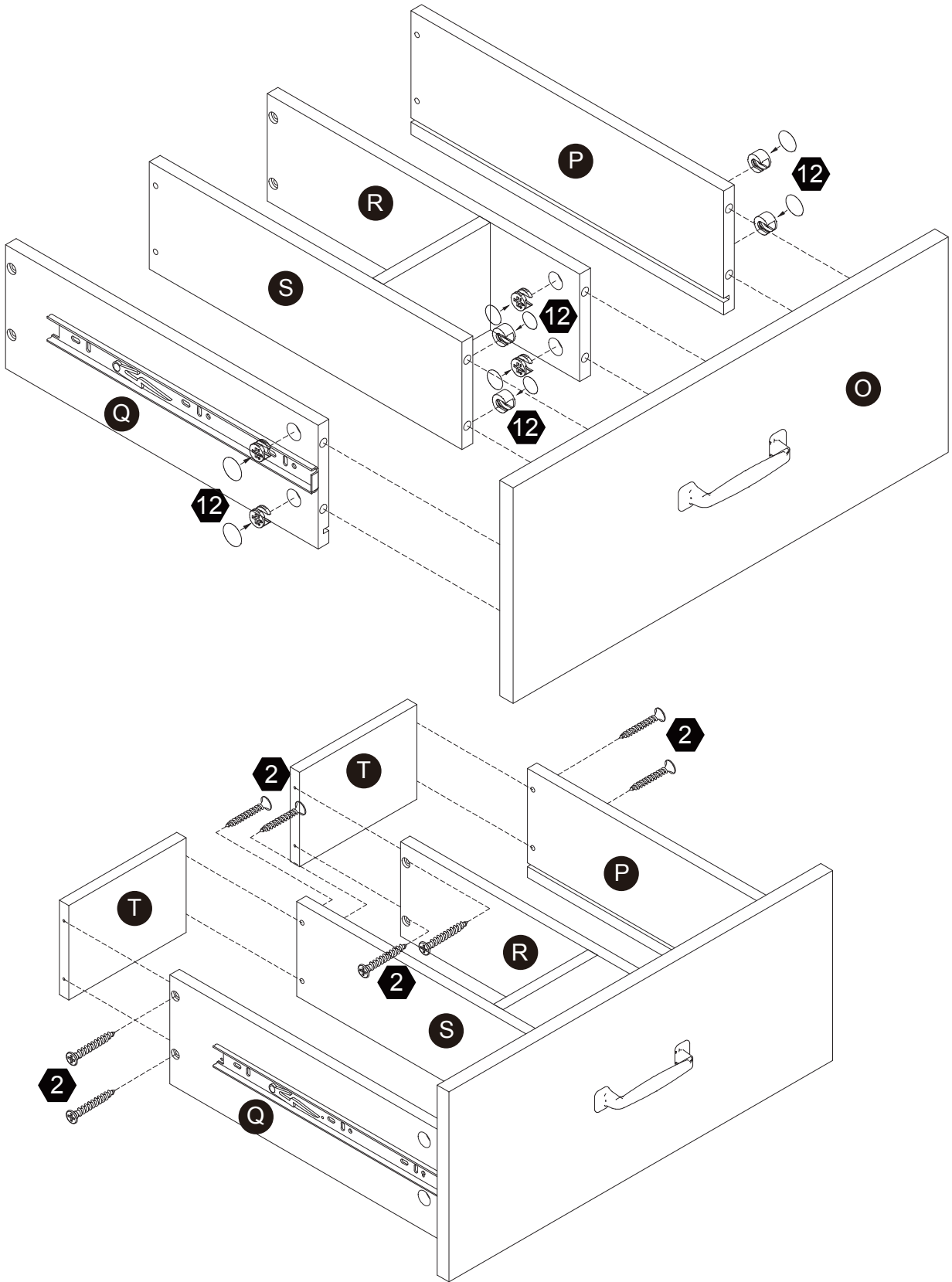


Scan for assembly instructions.

Step 13

2  8 pcs

12  8 pcs



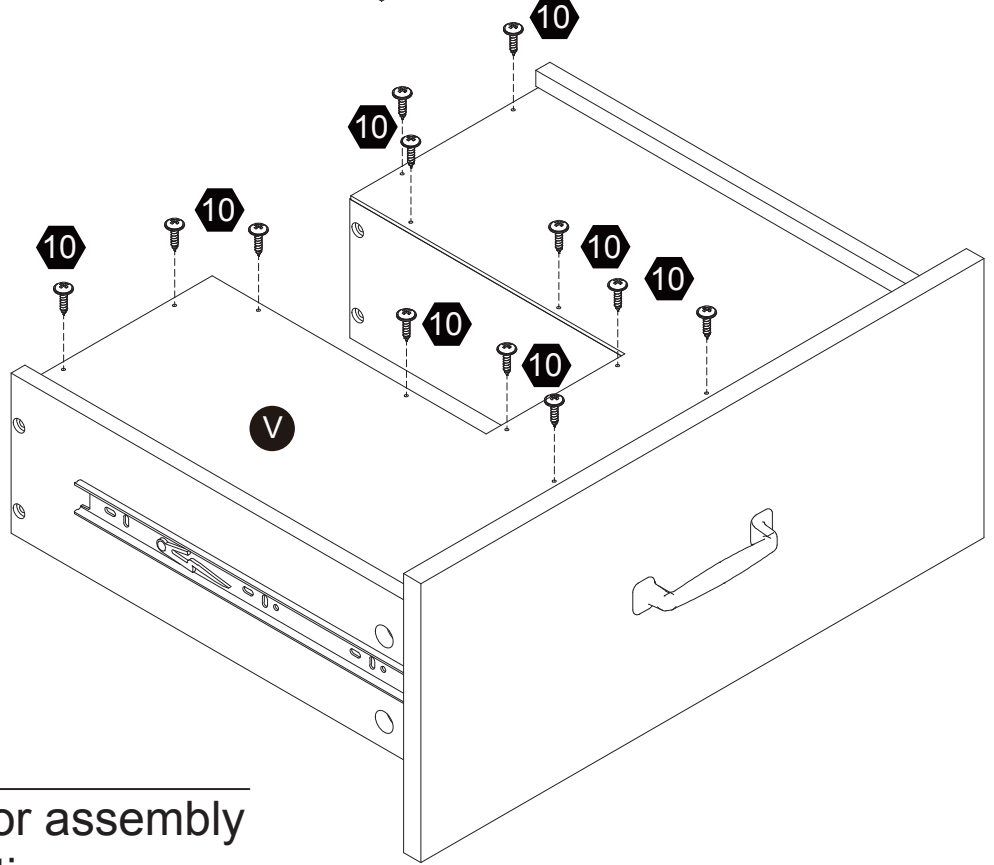
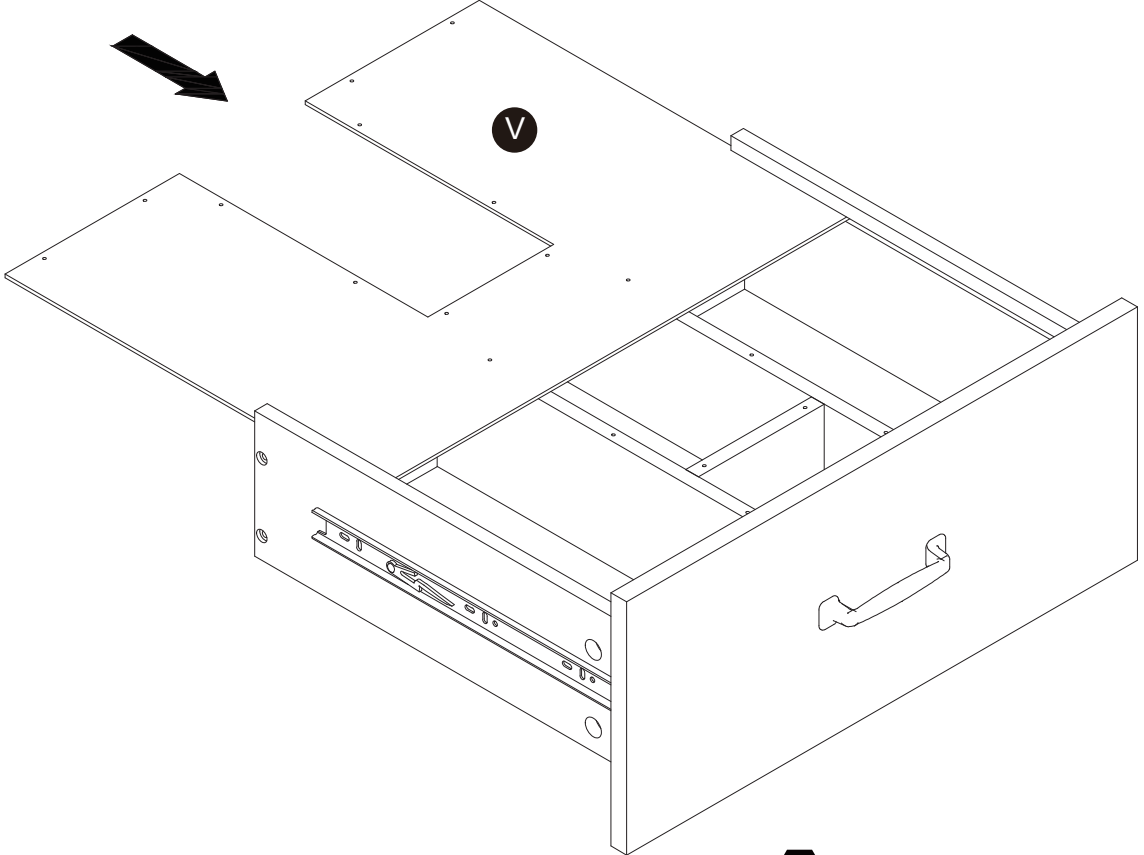
Scan for assembly instructions.

Step 14

10



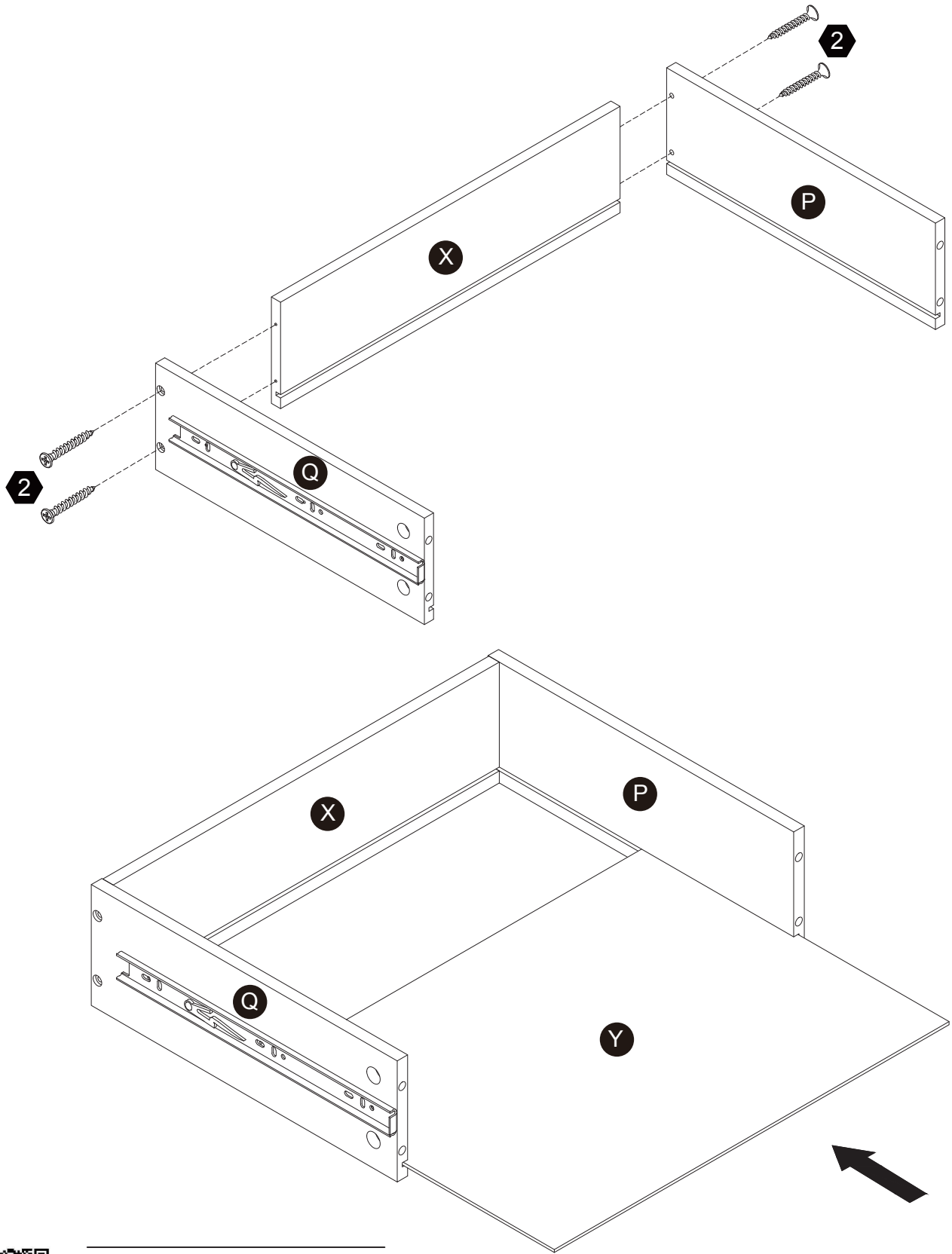
12 pcs



Scan for assembly instructions.

Step 15

2  4 pcs



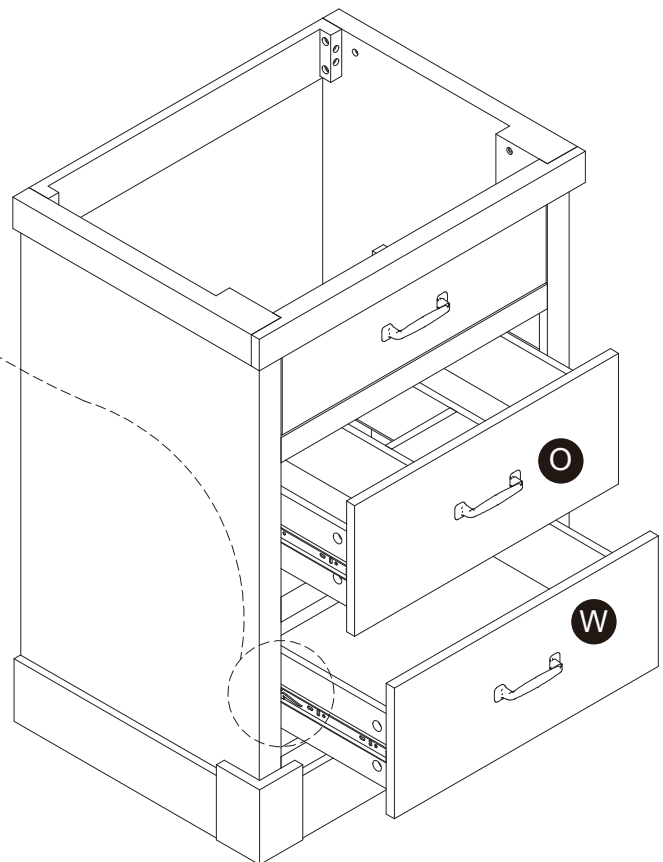
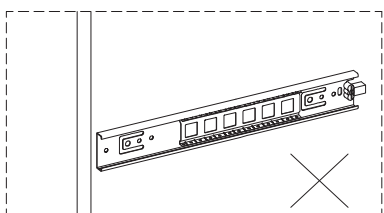
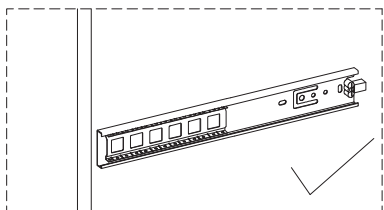
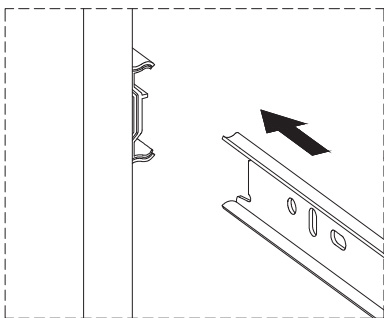
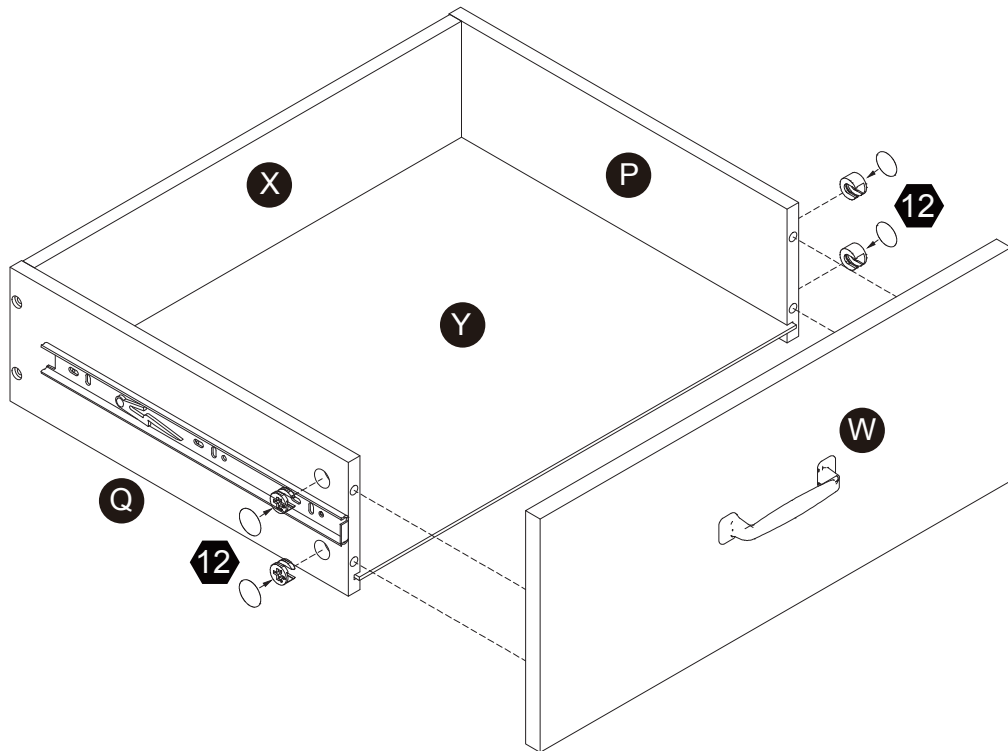
Scan for assembly instructions.

Step 16

12

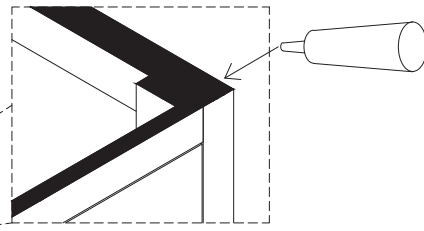
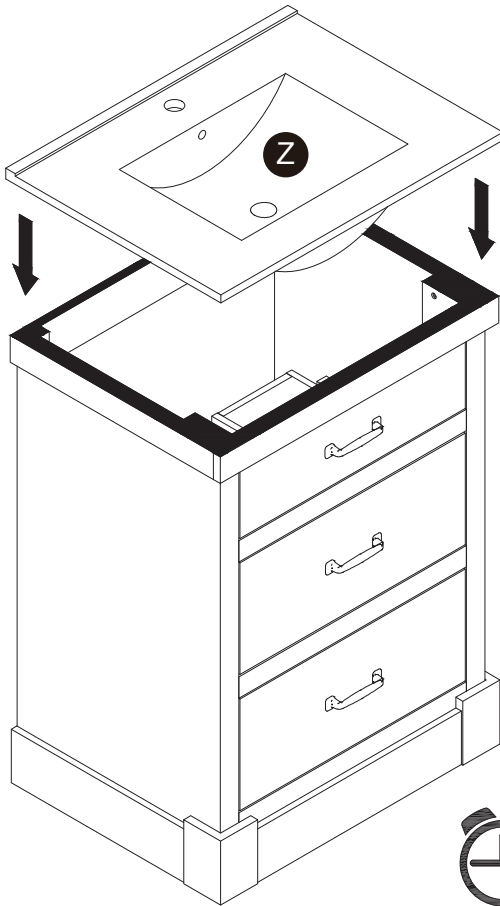


4 pcs



Scan for assembly instructions.

Step 17



Installing the Sink Top

1. Apply Silicone Caulk

Use a silicone caulk gun to apply a continuous bead of silicone caulk around the top edge of the vanity cabinet. Refer to the caulk package instructions for proper application.

2. Lower the Sink Top (2-Person Job)

Due to the weight and fragility of the sink top, it is recommended to have another adult assist you with this step.

Carefully lift the sink top and position it over the vanity cabinet.

With one person on each side, slowly lower the sink top onto the cabinet.

3. Positioning

While lowering the sink top, ensure that the faucet holes and drain opening align precisely with the pre-drilled holes in the cabinet.

Gently adjust the sink top until it sits flush against the back of the cabinet and is even on the right and left sides.

Let dry for 24 hours.



24H!



Scan for assembly instructions.