



Sheboygan, WI

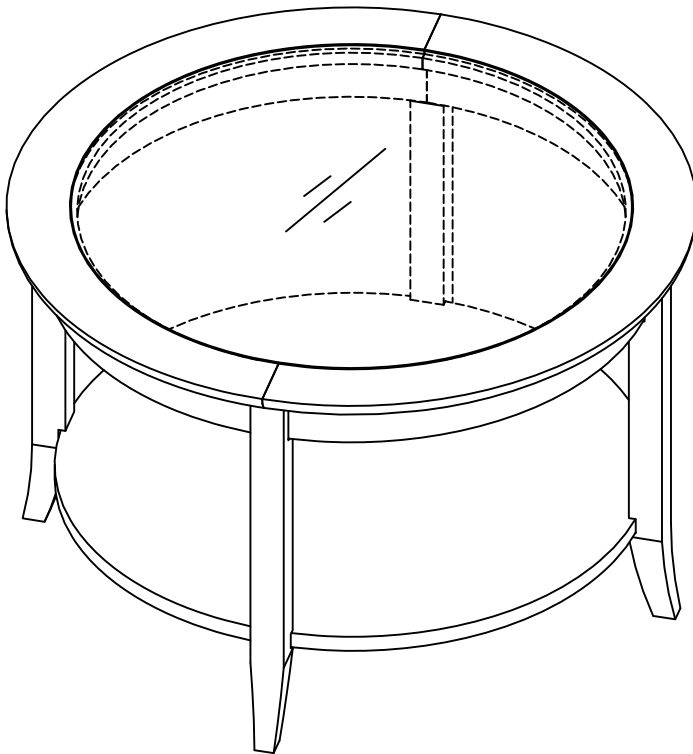
920-451-4060










Thank you for purchasing Leick Furniture products.
Contact customer service for comments or concerns.

info@leickhome.com

www.leickhome.com

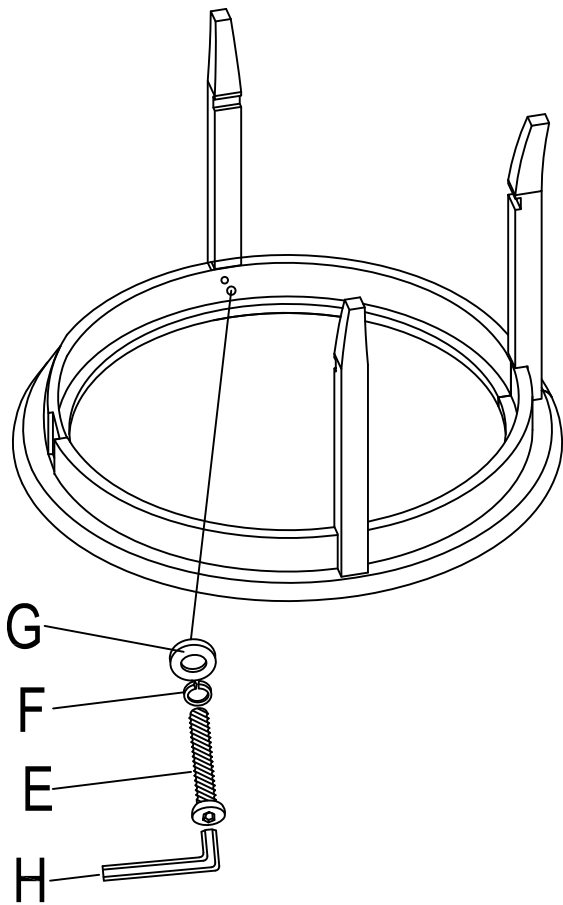
Assembly Instructions, #10037 Round Cocktail Table



A: Top Frame	
B: (4) Legs	
C: Shelf	
D: Glass Top	
E: (4) Bolts	
F: (4) Lock washers	
G: (4) Flat washers	
H: Allen Wrench	
I: (4) Screws	

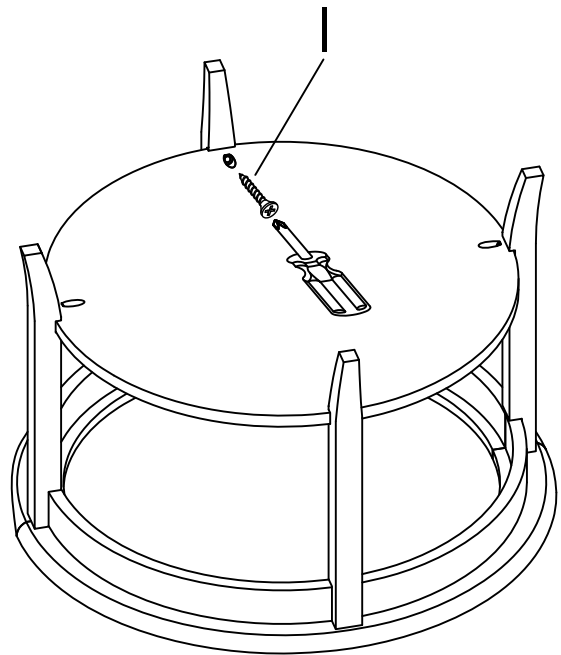
Step 1

Put the top assembly (A) upside down on a soft surface. Bolt three legs with parts (E & F & G). Do not tighten.



Step 2

Insert the shelf into leg notches, tighten the bolts in step one and fasten the shelf with screws. Do the same thing on the fourth leg.



Step 3

Put the table upright, place the glass top on.

