

Features

- Round basin
- Unique tall design creates a striking vessel installation on a low-profile vanity
- Can be combined with the K-20702 Veil pedestal to create the K-20701 Veil pedestal sink
- No faucet holes; requires wall- or counter-mount faucet
- Overflow drain
- Includes color-matched overflow cap and color-matched brass drain cover
- Drain extension included for ease of installation
- Coordinates with other products in the Veil collection

Material

- Fireclay

Installation

- Vessel or pedestal

Required Products/Accessories

K-20702 12-1/4" pedestal bathroom sink
K-25322 Clicker drain with overflow

Included Components

1311408 Faucet Cap Assembly
1331521 Drain Cover Kit



Codes/Standards




ASME A112.19.2/CSA B45.1

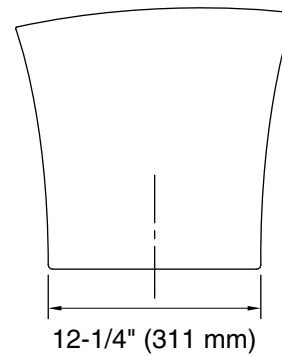
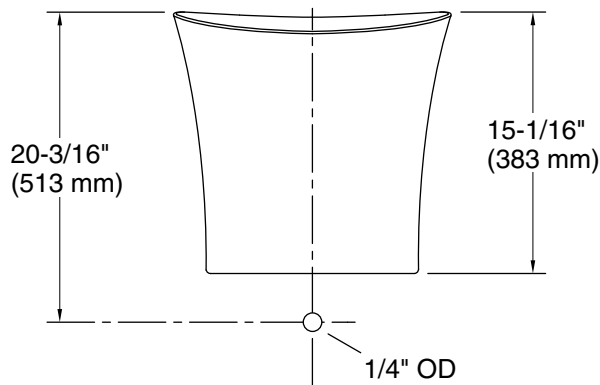
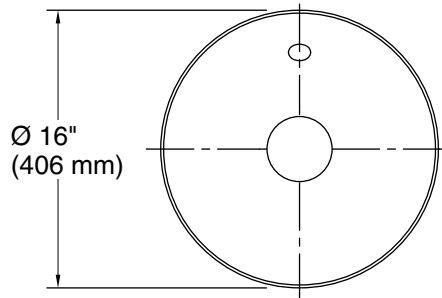
KOHLER® One-Year Limited Warranty

See website for detailed warranty information.

Available Colors/Finishes

Color tiles intended for reference only.

Color	Code	Description
	0	White
	96	Biscuit
	7	Black Black™



Technical Information

All product dimensions are nominal.

Basin configuration: Single Bowl

With overflow: Yes

Drain hole: 1-3/4" (44 mm)

Notes

Install this product according to the installation instructions.

IMPORTANT! This installation requires a wall-mounted faucet. In areas with subfreezing winter temperatures, plan to install this product to an interior wall to protect the water supply and drain lines from freezing.