



Thank you for purchasing Leick Furniture products.
Contact customer service for comments or concerns.

Sheboygan, WI



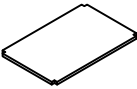
800-558-8700.

cs@todaysdesignhouse.com






todaysdesignhouse.com

Assembly Instructions, #9074 Drawer Nightstand/Side Table with Top AC/USB Charger

Parts List

Item	Parts	Description	Quantity
A		Top Assembly	1
B		Legs	4
C		Shelf	1

Hardware List

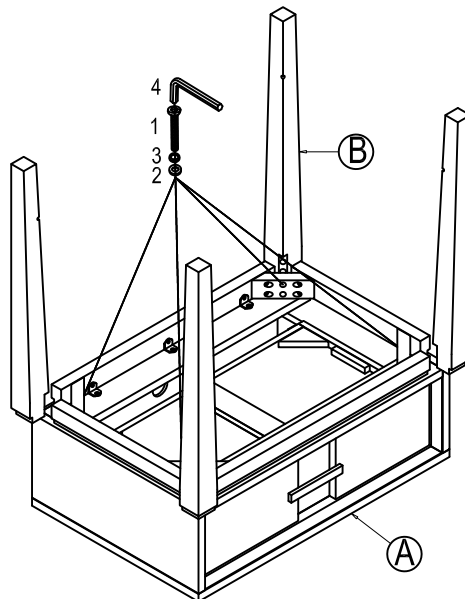
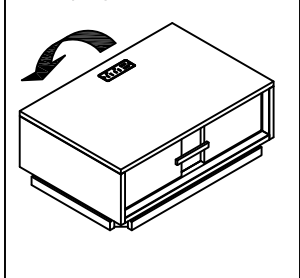
Item	Hardware	Description	Quantity
1		Allen Bolts	8
2		Flat Washers	8
3		Lock Washers	8
4		Allen Wrench	1
5		Shelf supports	4

Assembly Steps

Step 1

- 1.1 Lay the Top Assembly (A) upside-down on a soft surface by tilting it to the back.
- 1.2 Fasten the legs with (8) bolts, flat washers and lock washers using the Allen wrench. Do not tighten, leave enough clearance to allow for placing the shelf.

1.1 Tilt towards the back to flip upside-down.



Step 2

- 2.1 Put the shelf upside down between legs, push it past the shelf support holes.
- 2.2 Insert the shelf supports into the holes. Then tighten all bolts.
- 2.3 Return the assembled piece upright.

