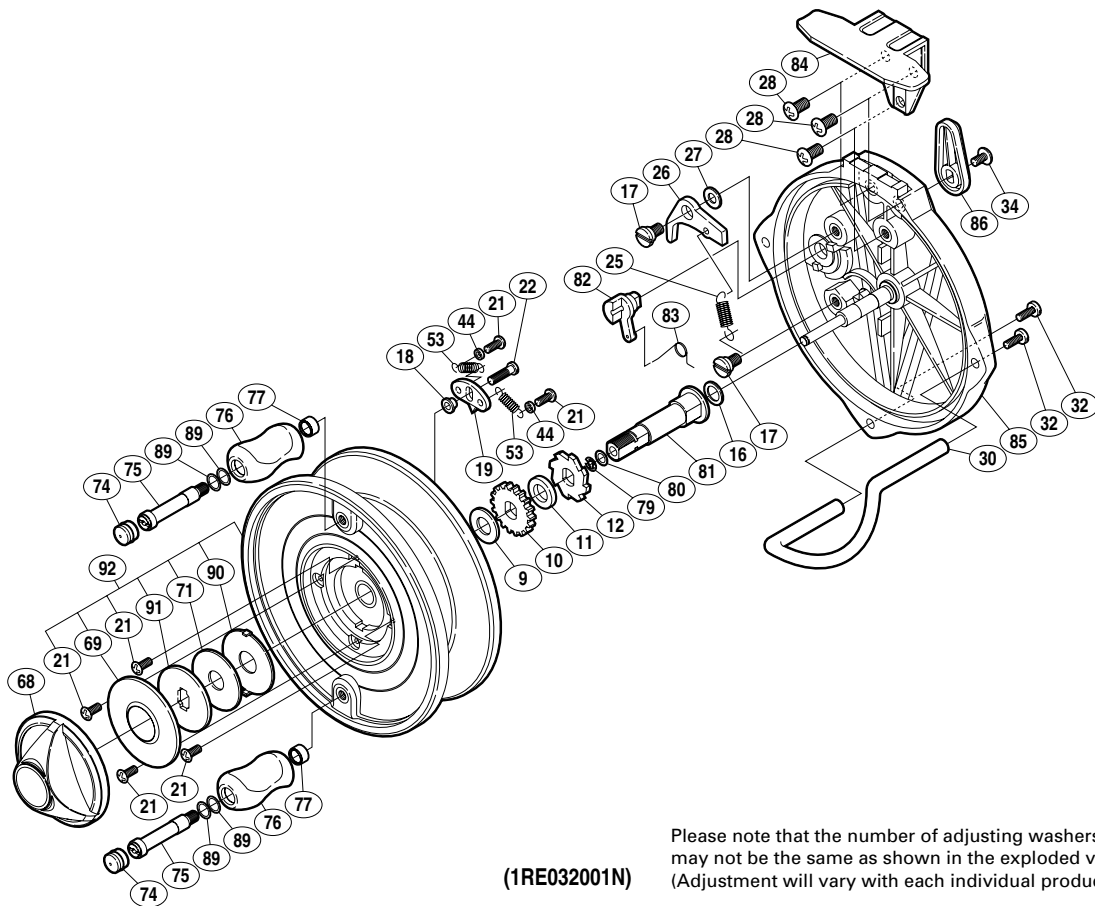


SHIMANO

MOOCHER PLUS

MCR-2000GTPA



(1RE032001N)

Please note that the number of adjusting washers may not be the same as shown in the exploded views. (Adjustment will vary with each individual product.)

Part No.	Description	Part No.	Description
MCR0009	Spool Washer	MCR0068	Drag Knob
MCR0010	Click Gear	MCR0069	Seal Plate
MCR0011	Spacer	MCR0071	Drag Washer
MCR0012	Anti-Reverse Ratchet	MCR0074	Handle Knob Seal
MCR0016	Washer	MCR0075	Handle Knob Shaft
MCR0017	Screw	MCR0076	Handle Knob
MCR0018	Click Pawl Bushing	MCR0077	Handle Knob Bushing
MCR0019	Click Pawl	MCR0079	E Lock
MCR0021	Screw	MCR0080	Spacer
MCR0022	Screw	MCR0081	Main Shaft
MCR0025	Anti-Reverse Pawl Spring	MCR0082	Anti-Reverse Cam
MCR0026	Anti-Reverse Pawl	MCR0083	Anti-Reverse Cam Spring
MCR0027	Spacer	MCR0084	Stand
MCR0028	Screw	MCR0085	Back Plate
MCR0030	Line Guard	MCR0086	Anti-Reverse Switch
MCR0032	Screw	MCR0089	Washer
MCR0034	Screw	MCR0090	Eared Washer
MCR0044	Screw Collar	MCR0091	Key Washer
MCR0053	Click Spring	MCR0092	Spool Assembly