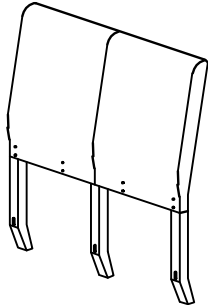


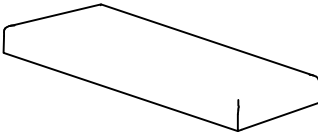
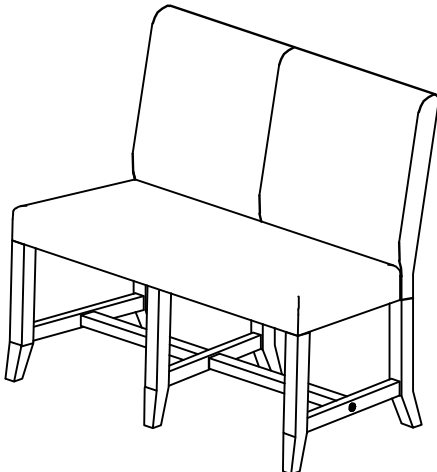
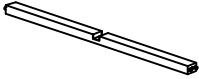


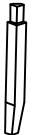










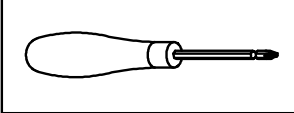



YOSEMITE BENCH ASSEMBLY INSTRUCTIONS



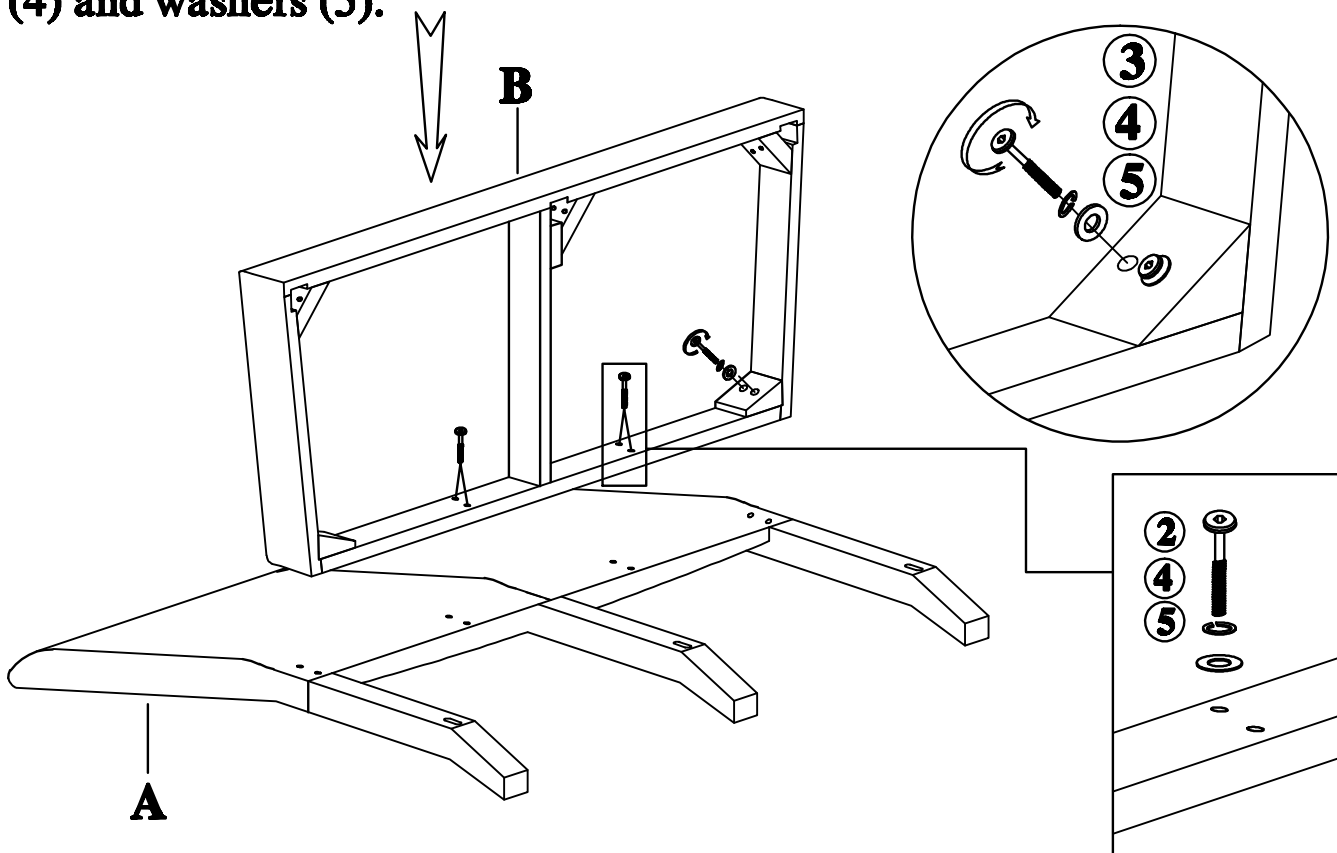
A. BACK FRAME 1 PC 	G. LEFT STRETCHER 1 PC 	H. RIGHT STRETCHER 1 PC 	
B. CHAIR FRAME 1 PC 	YOSEMITE BENCH ASSEMBLED 		
C. LONG STRETCHER 1 PC 			D. MIDDLE LEG 1 PC 
E. LEFT LEG 1 PC 			F. RIGHT LEG 1 PC 

HARDWARE ARE PACKED IN BOX

1 THREAD BOLT M8 x 50 MM 02 PCS	2 ALLEN BOLT M6 x 50 MM 10 PCS	3 ALLEN BOLT M6 x 70 MM 04 PCS	4 SPRING WASHER M9 14 PCS	5 WASHER M6 14 PCS
				
6 ALLEN KEY (4MM) 01 PC	7 SCREW M4 x 40 MM 04 PCS	8 HEXAGON NUTS M8 02 PCS	9 WASHER M8 02 PCS	10 HEXAGON NUTS M8 01 PC
				
11 SCREW M4 x 25 MM 01 PC	<p align="center">TOOL REQUIRED</p> <p align="center">PHILLS HEAD SCREW DRIVER NOT PROVIDED</p> 			
				

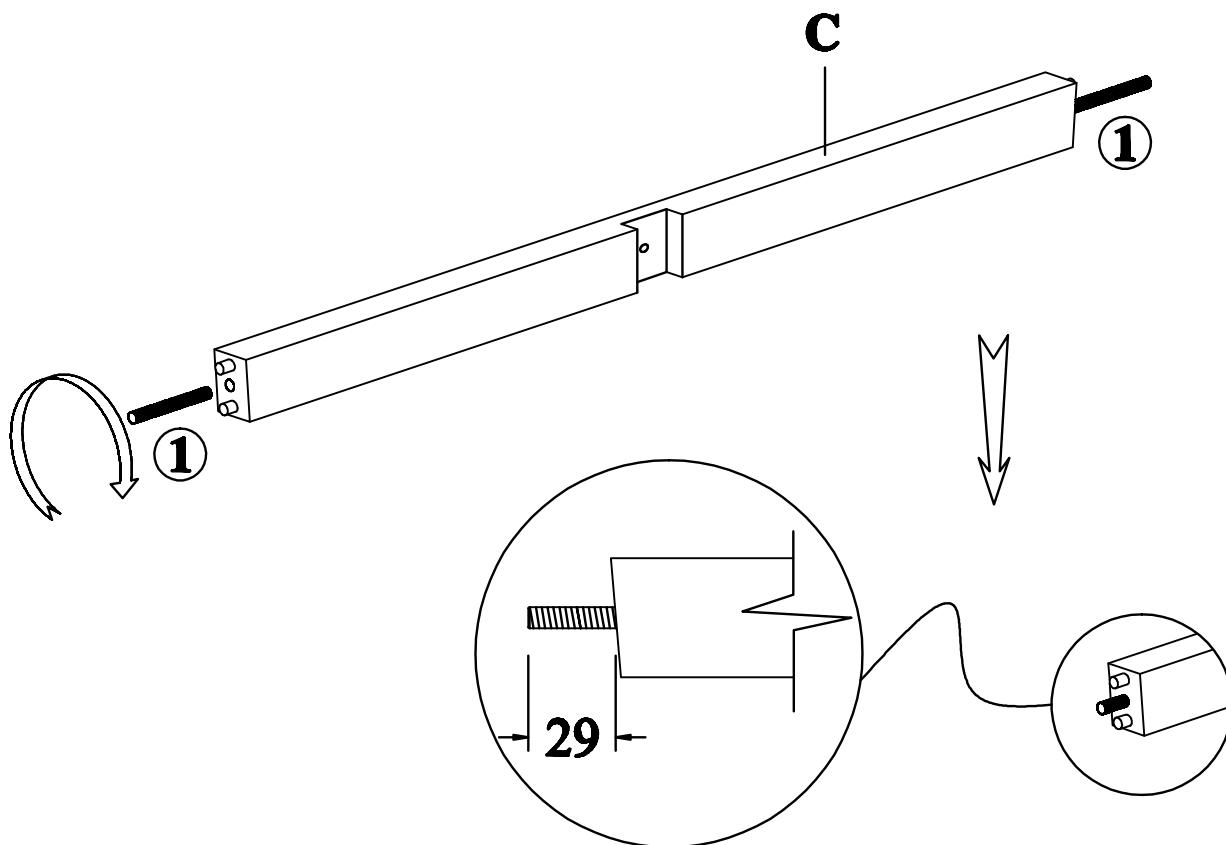
STEP 1:

Attach frame (B) to back frame (A) by bolts (2), (3), spring washers (4) and washers (5).



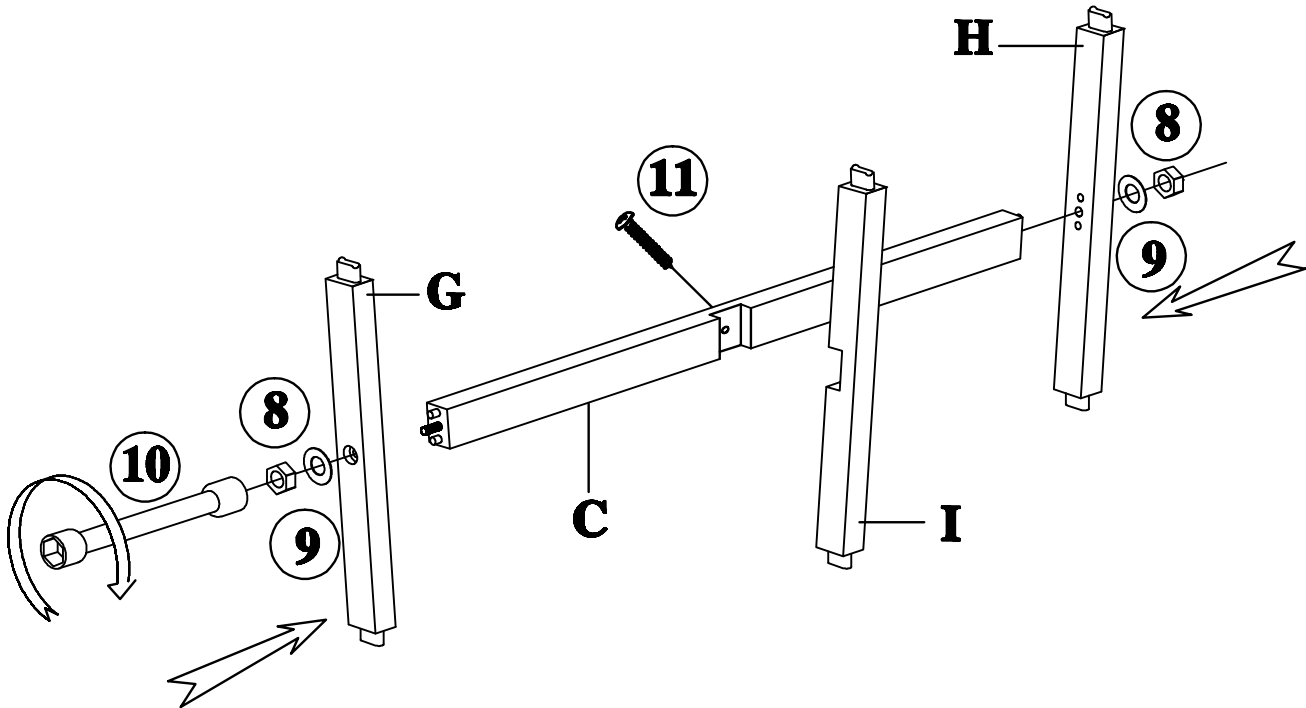
STEP 2:

Insert thread bolt (1) to long stretcher (C)



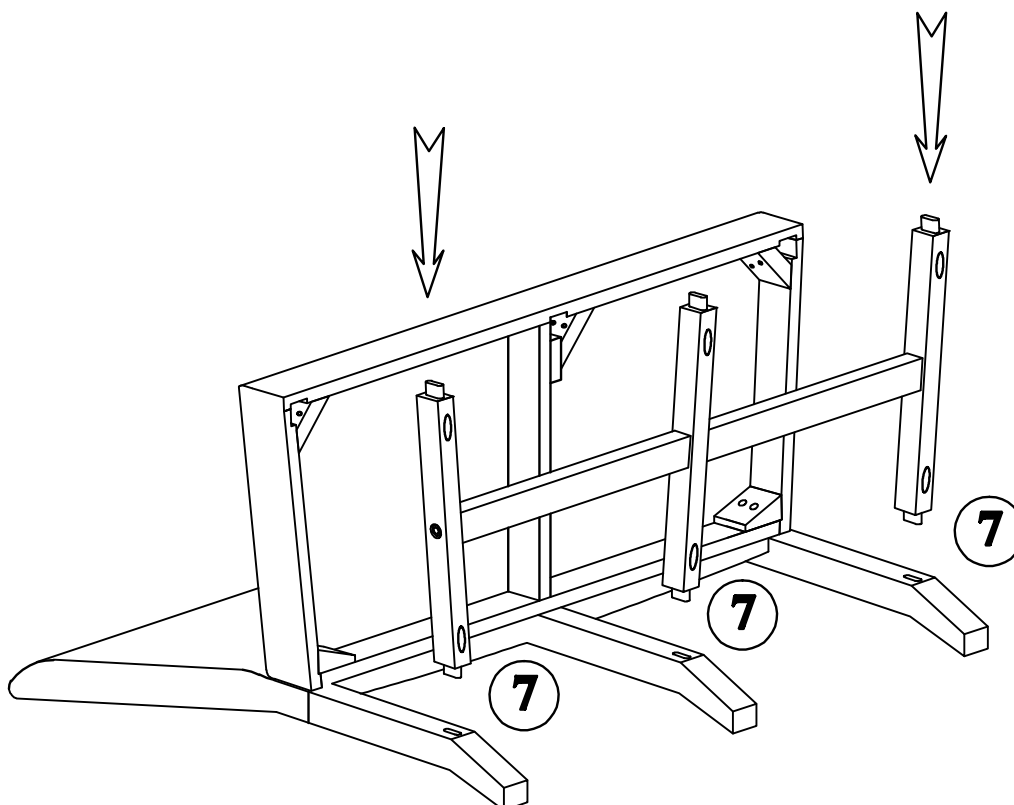
STEP 3:

Attach stretcher (G), (H), (I) to long stretcher (C) by hexagon nuts (8), washer (9) and screw (11).



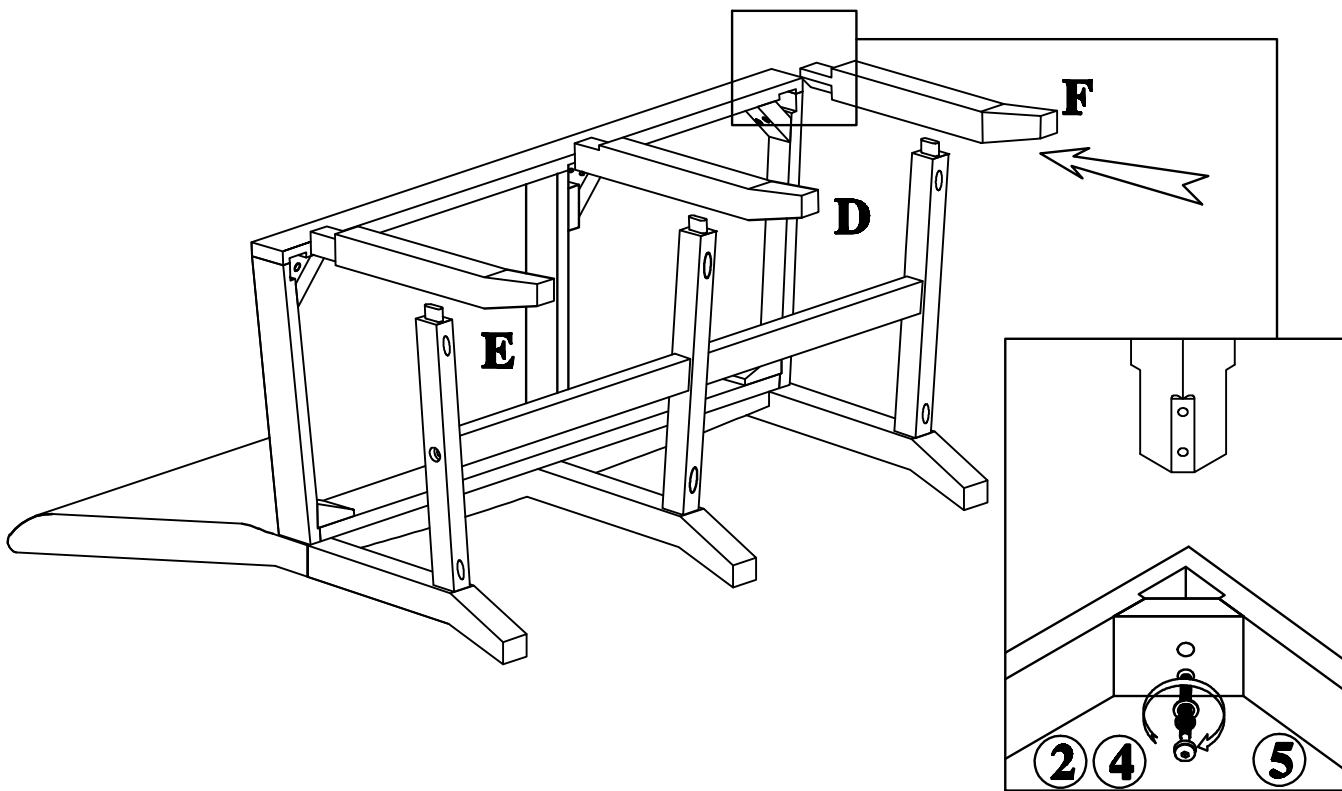
STEP 4:

Connect stretchers unit to back frame.



STEP 5:

Insert 3 legs (D,E,F) to the unit. They are fixed by bolt (2) washer (4) and spring washer (5)



STEP 6:

**Fix stretcher (G,H,I) again by screw (7).
Assembly complete**

