

Assembly Guide



Bush
FURNITURE

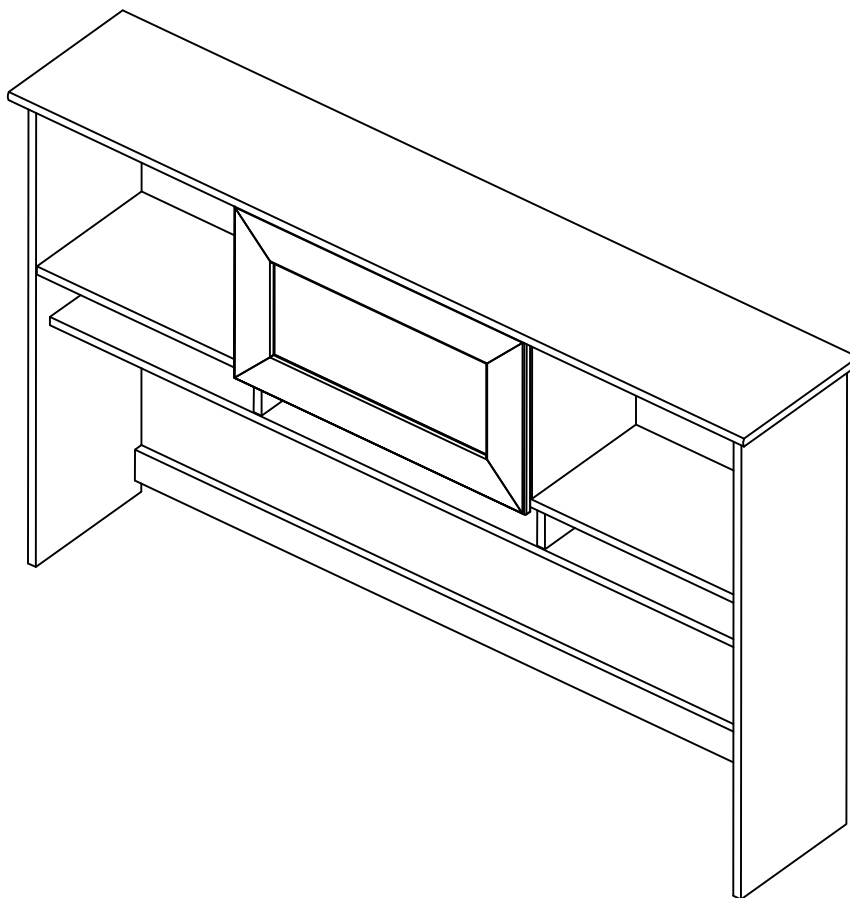


If you're having any difficulty during assembly of this product, don't hesitate to call us at **1-800-950-4782.**

Our customer service experts are trained to provide step-by-step instruction and can easily replace any missing or damaged parts.

Representatives are available Monday-Friday from 8:30 a.m. to 7:30 p.m. (ET)

60" Hutch



Lot Code #

Instruction Sheet Number A213424B

Keep manual for future reference.

For best results, keep these tips in mind:

- ① We know you want to finish this assembly as quickly as possible, but trust us: you'll have a better experience if you take it one step at a time.
- ② Give yourself some room to work near where you want the fully assembled product.
- ③ If your floor isn't carpeted, assemble this product on the empty carton to avoid scratching.
- ④ Do you have a friend who owes you a favor? Some steps may go a little easier with a second set of hands.

DOs

- ✔ Use a #2 Phillips head screwdriver (or other handheld tools as indicated)
- ✔ Wear safety glasses at all times during assembly
- ✔ Carefully follow the instructions in this guide and complete all steps in order
- ✔ Give us a call if you're having trouble with a particularly tricky step

DON'Ts

- ✘ We know power tools are quick and easy, but you shouldn't use them when assembling this product (unless otherwise specified)
- ✘ Never move your furniture with items inside or resting on the surface
- ✘ Do not attempt to use this product before all steps have been completed

Watch assembly videos right on your phone or computer!



Some steps include QR codes that link to helpful videos. Watch out for the icon on the left! Simply open up your smartphone camera to scan the code.

(Users of older smartphones may need to install a QR Reader.)

SCAN HERE



FOR VIDEOS

Or visit <https://www.bushfurniture.com/CustomerService/HowtoAssemble.aspx>



IMPORTANT SAFETY INFORMATION



PLEASE READ WARNINGS

Improper use can cause safety hazards, or damage to your furniture and household items.

Warning	Do	Don't	Why it's important
Serious injury may occur.	<ul style="list-style-type: none">Assemble following all instructions using all indicated parts and hardware provided.Attach hutch only as described in the instructions.Verify furniture is stable on it's own.Only place against a permanent wall structure at least as tall as the hutch or place back-to-back with hutch of same size.	<ul style="list-style-type: none">Do not move unit when loaded.Do not load with a television or other heavy equipment.Do not exceed the maximum load limits stated in the instructions.Do not allow children to climb, or hang on furniture.	Improper assembly, use or loading can lead to product instability, tipover, or collapse.

Advertencia	Hacer	No	Por qué es importante
Pueden producirse lesiones graves.	<ul style="list-style-type: none">Realice el montaje siguiendo todas las instrucciones y utilizando todas las piezas indicadas y los herrajes suministrados.Fije la conejera como se describe en las instrucciones.Compruebe que el mueble sea estable por sí mismo.Colóque el producto únicamente contra una estructura de pared permanente y fíjelo directamente a los montantes de la pared siguiendo las instrucciones.	<ul style="list-style-type: none">No mueva la unidad cuando esté cargada.No cargue el mueble con un televisor u otro equipo pesado.No supere los límites máximos de carga indicados en las instrucciones.No permita que los niños trepen o se cuelguen de los muebles.	El montaje, uso o carga inadecuados pueden provocar inestabilidad, vuelco o colapso del producto.

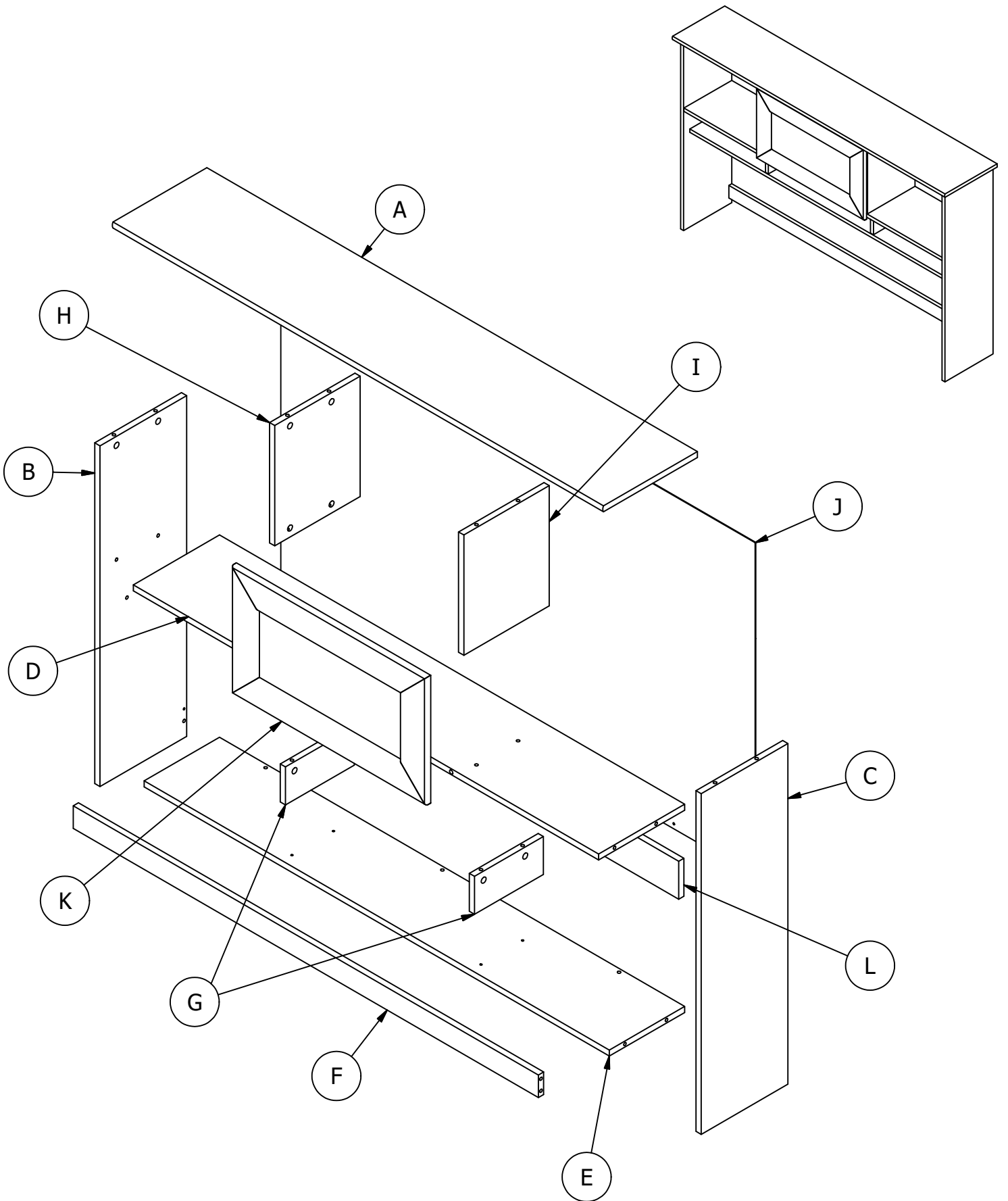
IMPORTANT SAFETY INFORMATION



PLEASE READ WARNINGS

Improper use can cause safety hazards, or damage to your furniture and household items.

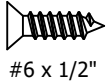
Avertissement	À faire	À ne pas faire	Pourquoi c'est important
Peut entraîner des blessures graves.	<ul style="list-style-type: none">• Assembler en suivant toutes les instructions et en utilisant toutes les pièces et la quincaillerie incluses.• Fixez la huche conformément aux instructions.• Assurez-vous que le meuble soit stable par lui-même.• Placer uniquement contre une structure murale permanente et fixer directement aux montants du mur selon les instructions.	<ul style="list-style-type: none">• Ne pas déplacer le meuble lorsqu'il est chargé.• Ne pas charger le meuble avec un téléviseur ou tout autre équipement lourd.• Ne pas dépasser les limites de poids maximales indiquées dans les instructions.• Ne pas laisser les enfants grimper ou s'accrocher aux meubles.	Un assemblage, une utilisation ou un chargement incorrects peuvent entraîner l'instabilité, le basculement ou l'effondrement du produit.



Have an assembly question or need a replacement part? Just call
1-800-950-4782, we are here to help.

Fasteners are shown actual size.

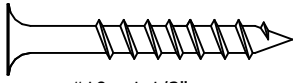
H28917 [4]
(Silver) #6 x 1/2"



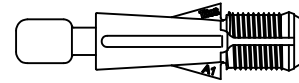
H72988 [2]
KD Bolt



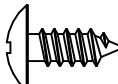
H23198 [4]
(Black) #10 x 1-1/2"



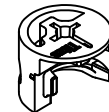
H171556 [28]
Quickfit TL4



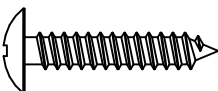
H35251 [9]
(Black) #10 x 1/2"



H181468US [30]
KD Cam3000



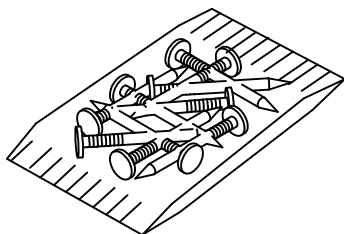
H23682 [8]
#10 x 1"



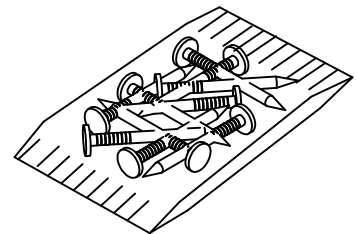
H38169 [4]
Wood Dowel 8 x 30



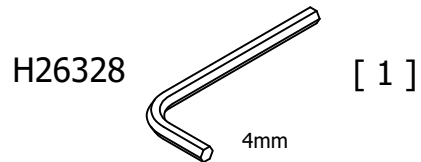
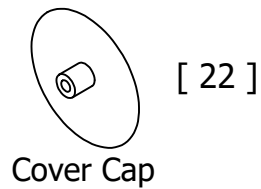
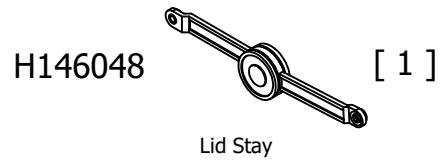
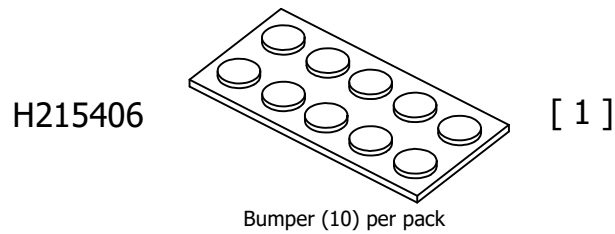
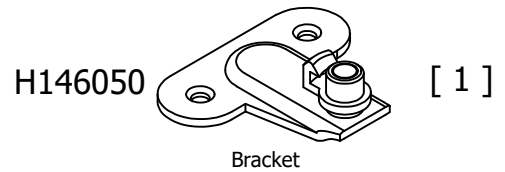
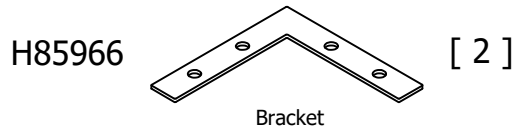
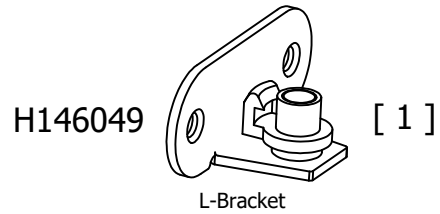
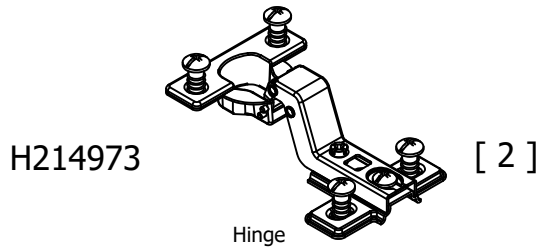
Q85389 [2]
Nail Bag (20)



Q75494 [1]
Nail Bag (10)

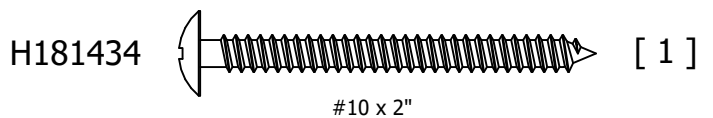
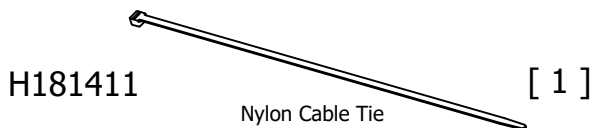
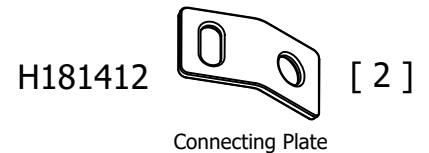
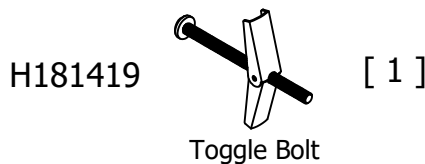
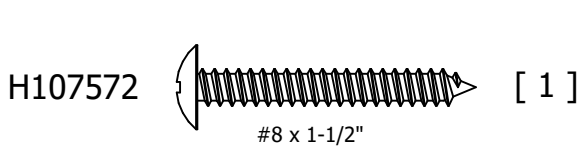


Hardware not to scale.



TIPOVER RESTRAINT HARDWARE

SUGERENCIA SOBRE HARDWARE DE RETENCIÓN
MATÉRIEL DE RETENUE SUR LE SUPPORT

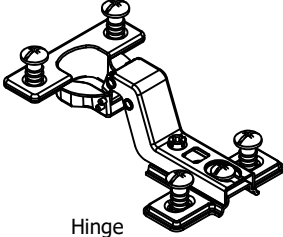
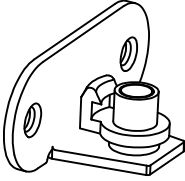
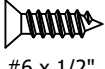



Have an assembly question or need a replacement part? Just call
1-800-950-4782, we are here to help.

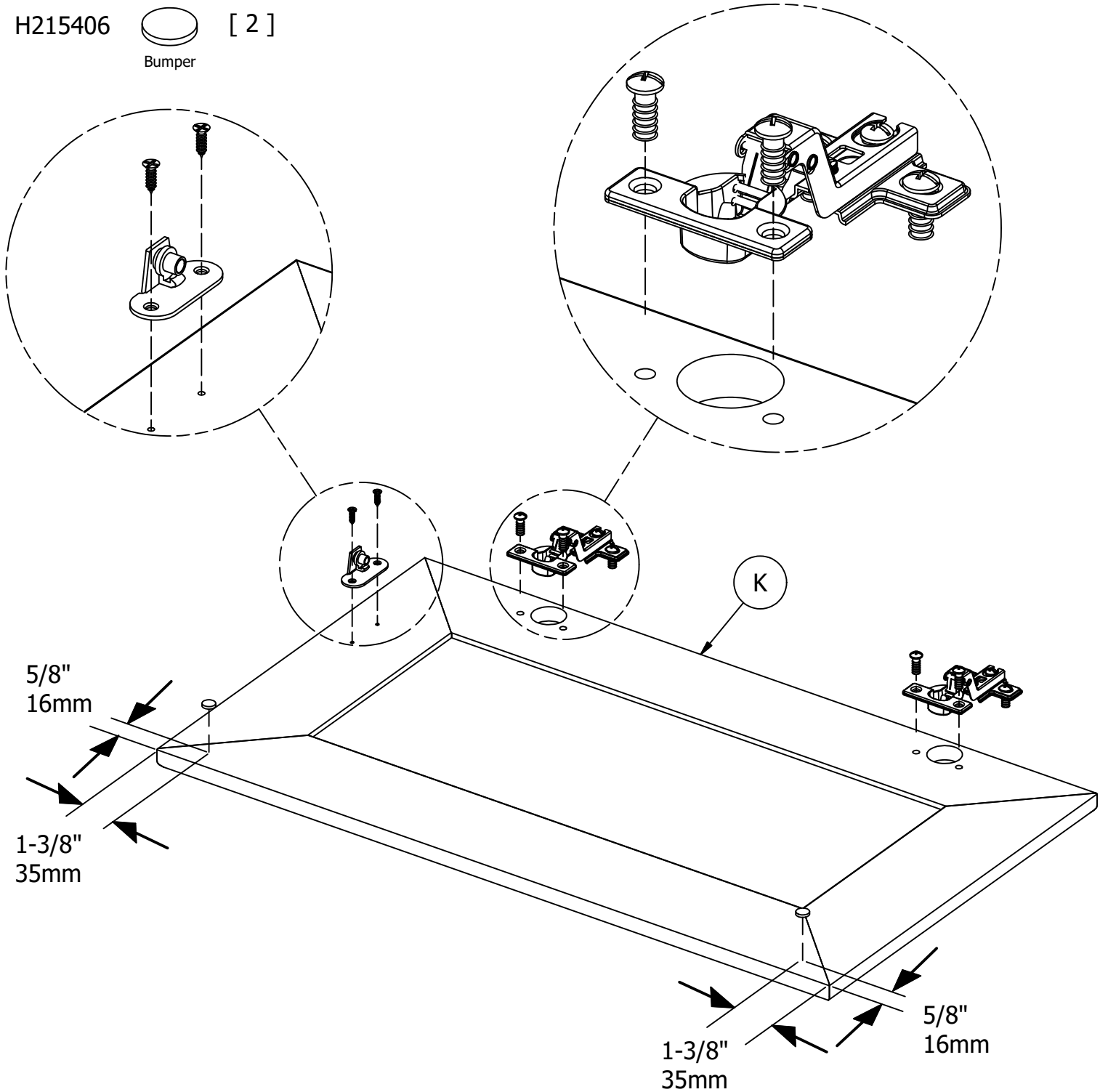
STEP 1

Prepare Component

A213424B

- H214973 [2]  Hinge
- H146049 [1]  L-Bracket
- H28917 [2]  (Silver) #6 x 1/2"

- H215406 [2]  Bumper



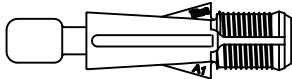
Have an assembly question or need a replacement part? Just call **1-800-950-4782**, we are here to help.

STEP 2

Prepare Panel

A213424B

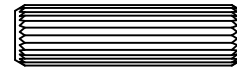
H171556



Quickfit TL4

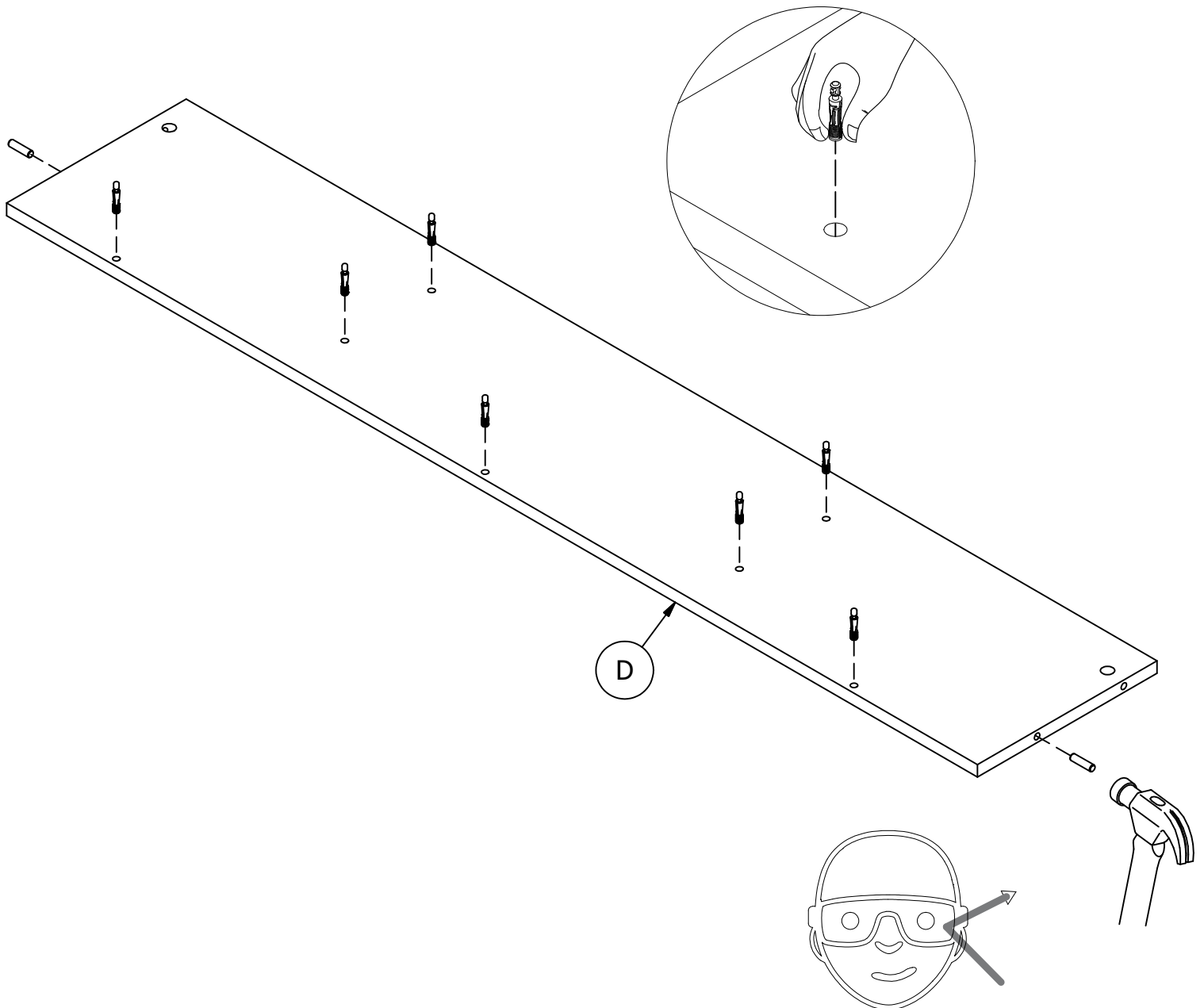
[7]

H38169



Wood Dowel 8 x 30

[2]



Safety glasses
Gafas de seguridad
Lunettes de protection

Have an assembly question or need a replacement part? Just call
1-800-950-4782, we are here to help.

STEP 3

Assemble Panels

A213424B

Scan QR Code to Watch Video on:



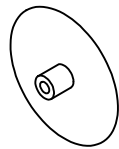
How to Tighten KD Cams

H181468US



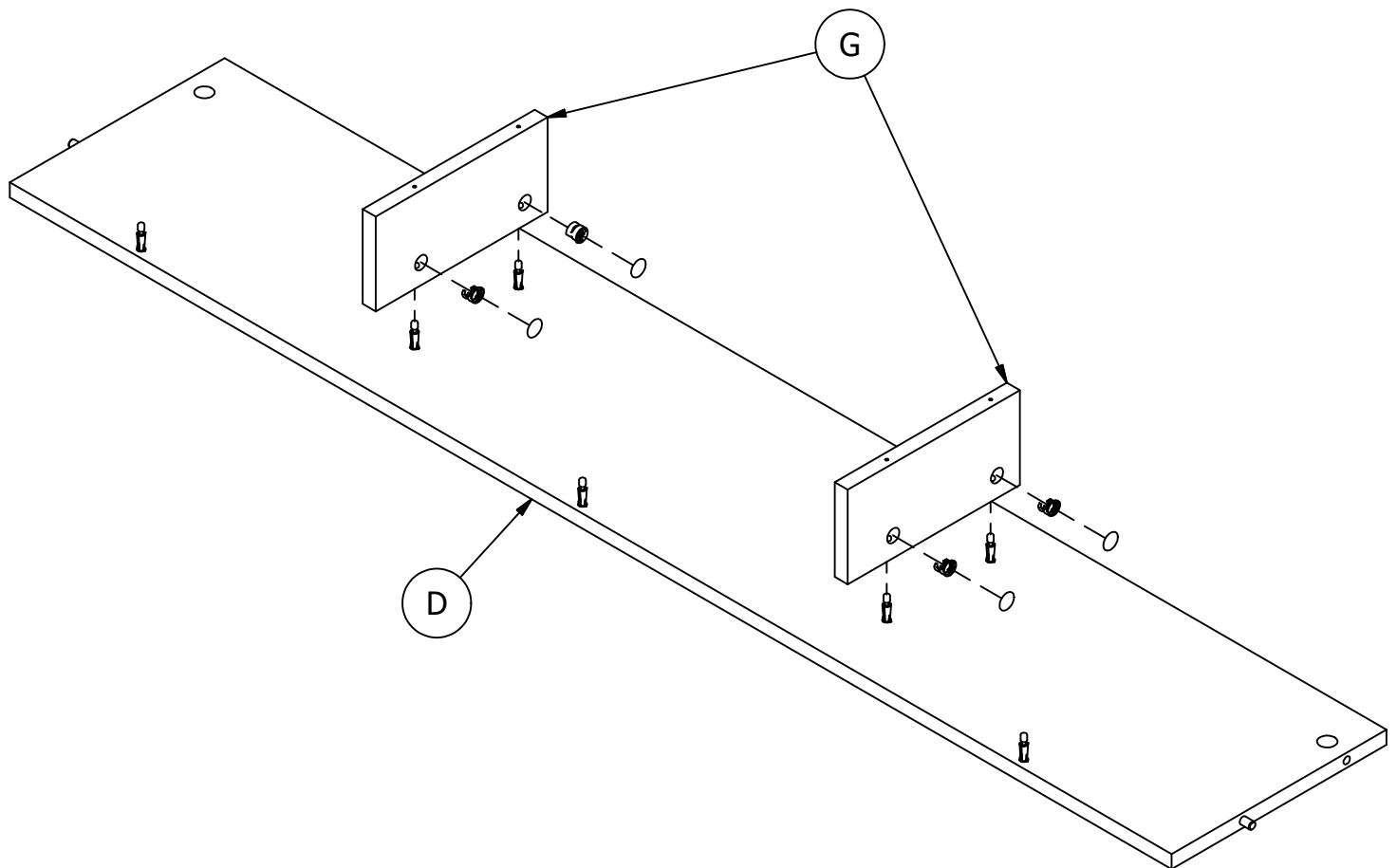
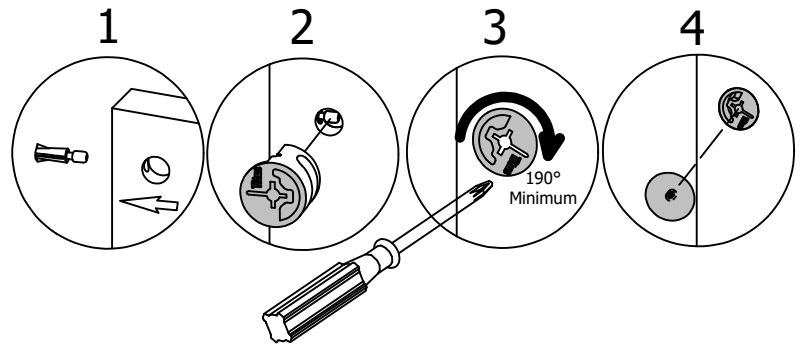
KD Cam3000

[4]



Cover Cap

[4]



Have an assembly question or need a replacement part? Just call **1-800-950-4782**, we are here to help.

STEP 4

Assemble Panels

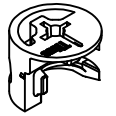
A213424B

Scan QR Code to Watch Video on:



How to Tighten KD Cams

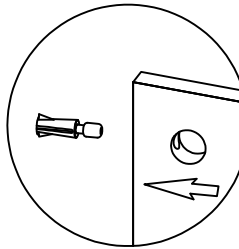
H181468US



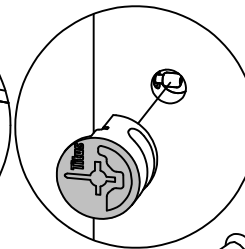
KD Cam3000

[3]

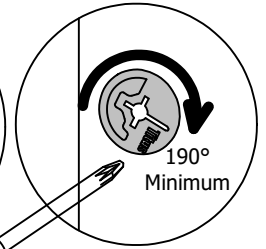
1



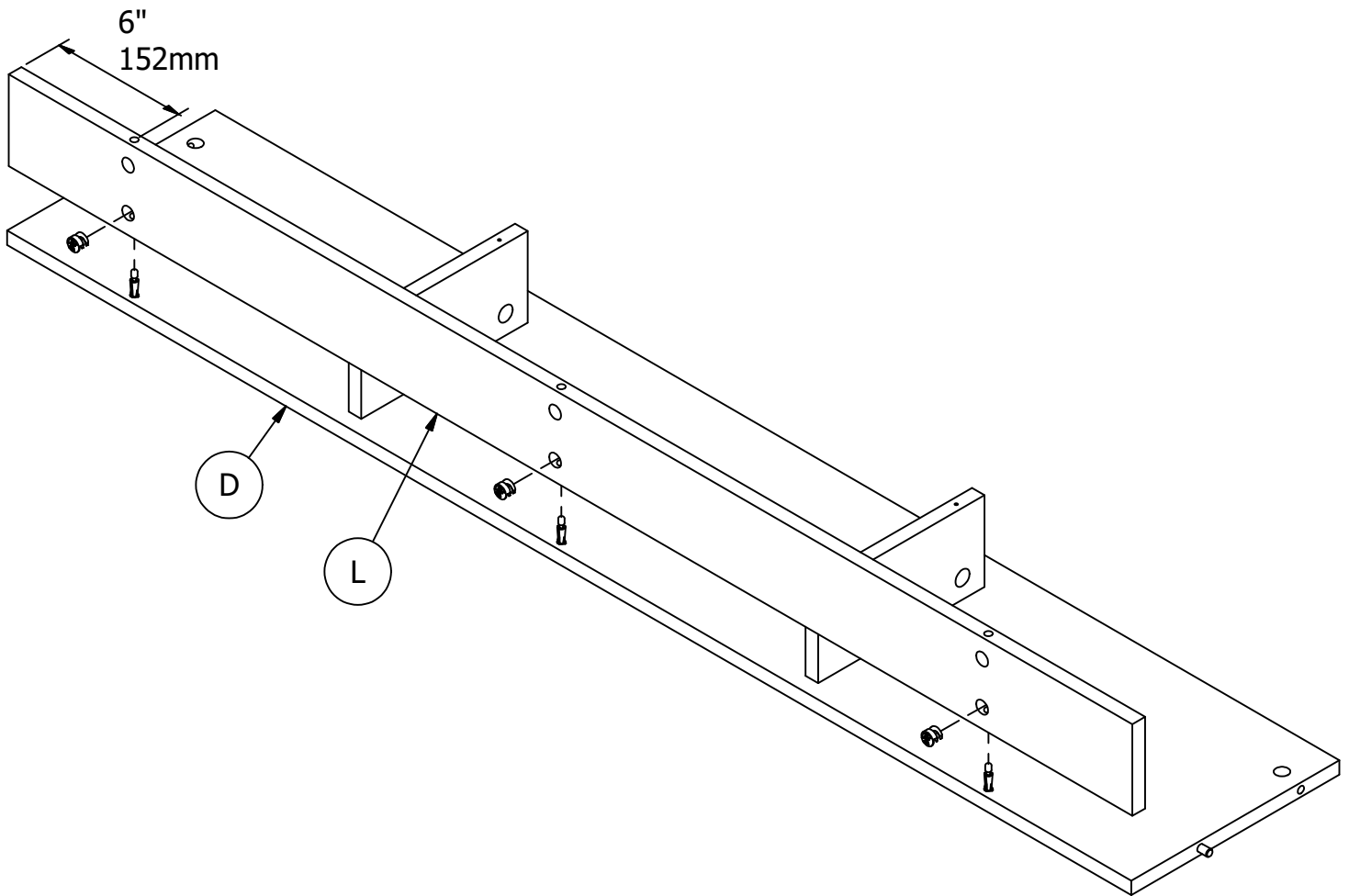
2



3



190°
Minimum



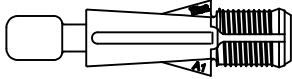
Have an assembly question or need a replacement part? Just call **1-800-950-4782**, we are here to help.

STEP 5

Prepare Panel

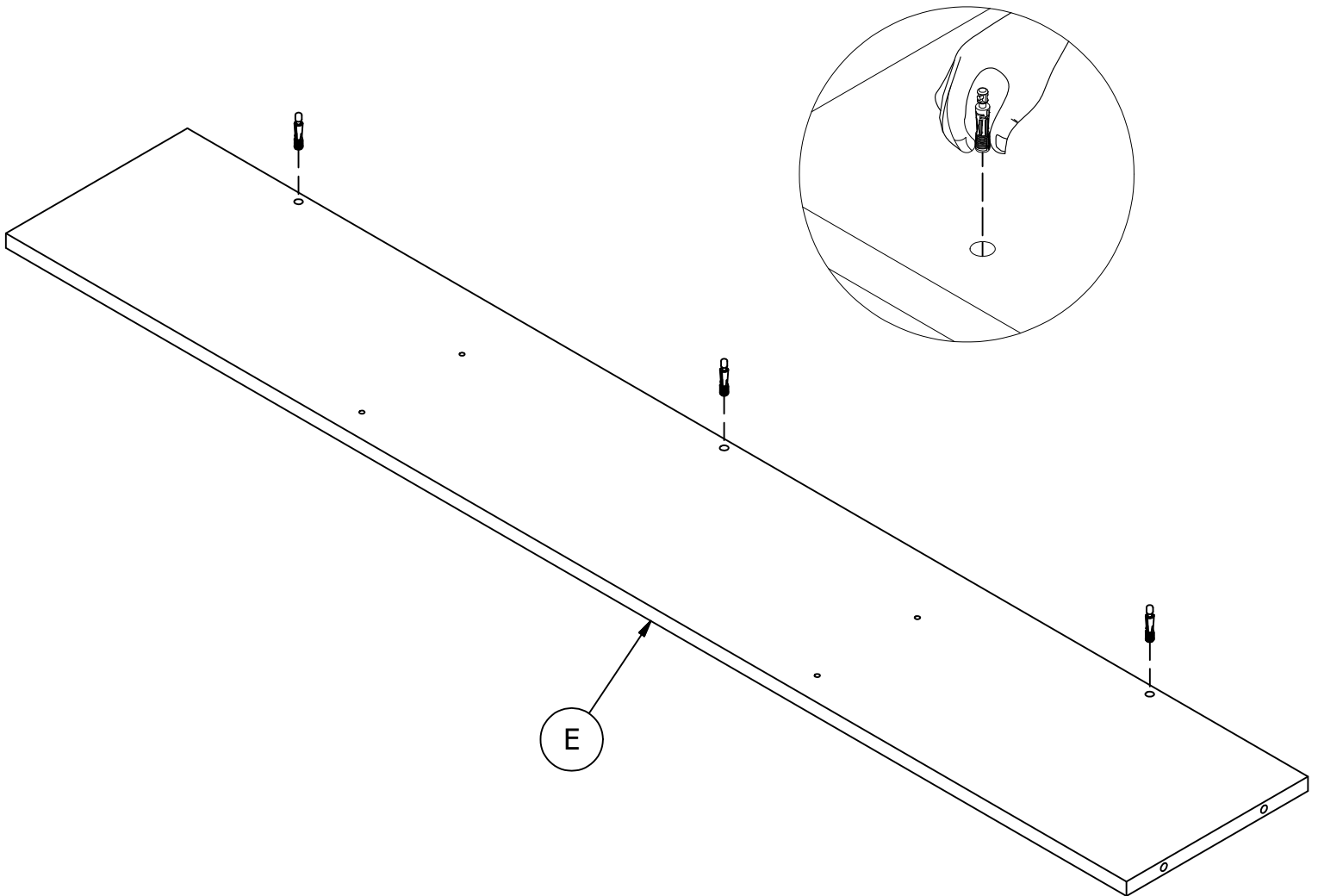
A213424B

H171556



Quickfit TL4

[3]

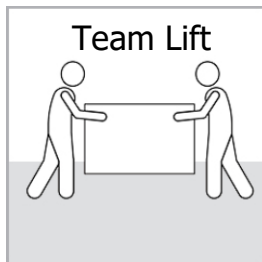


Have an assembly question or need a replacement part? Just call
1-800-950-4782, we are here to help.

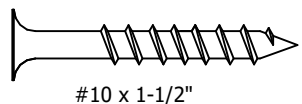
STEP 6

Assemble Panels

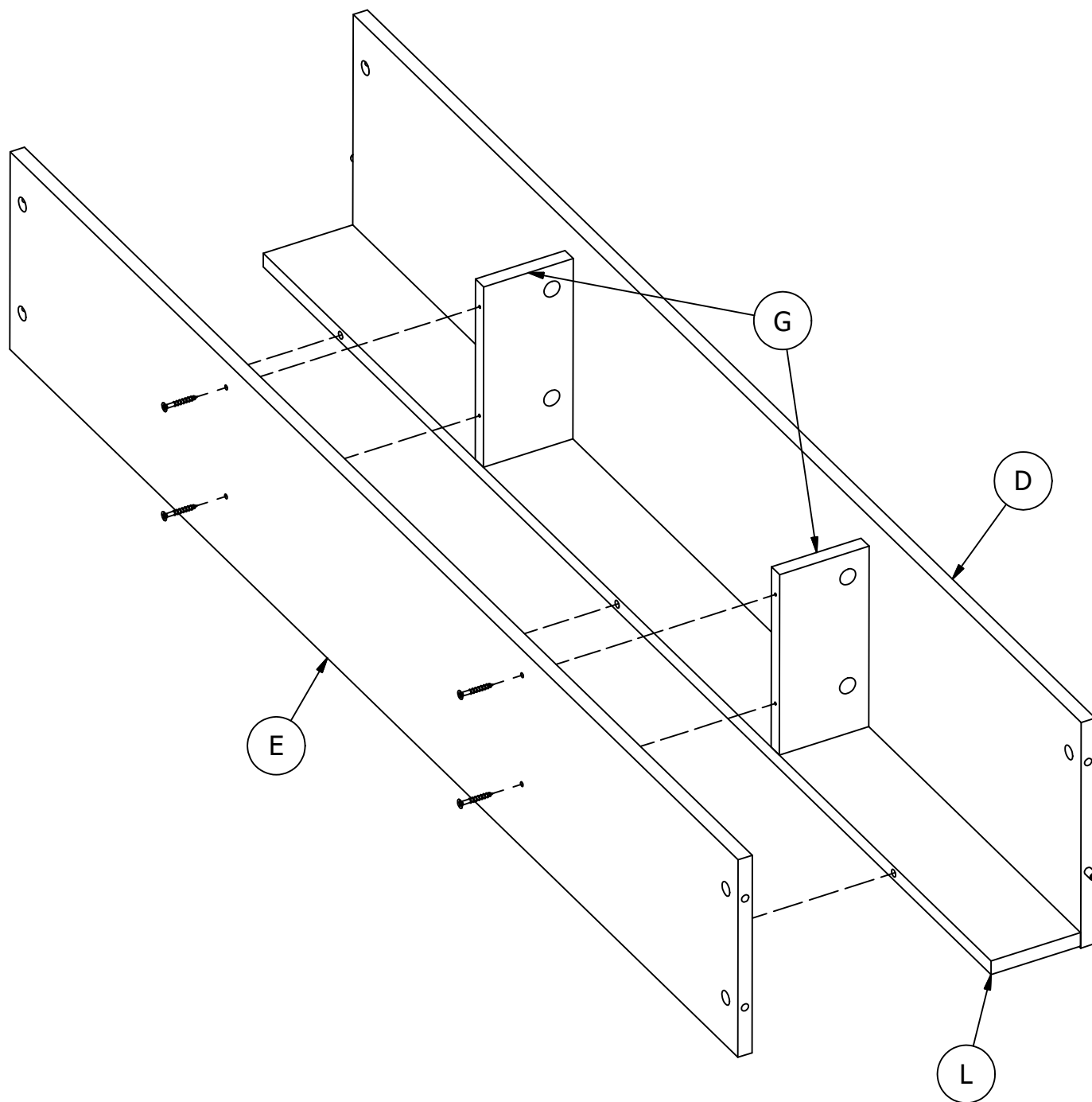
A213424B



H23198
(Black)



[4]



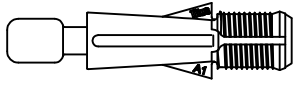
Have an assembly question or need a replacement part? Just call
1-800-950-4782, we are here to help.

STEP 7

Prepare Panel

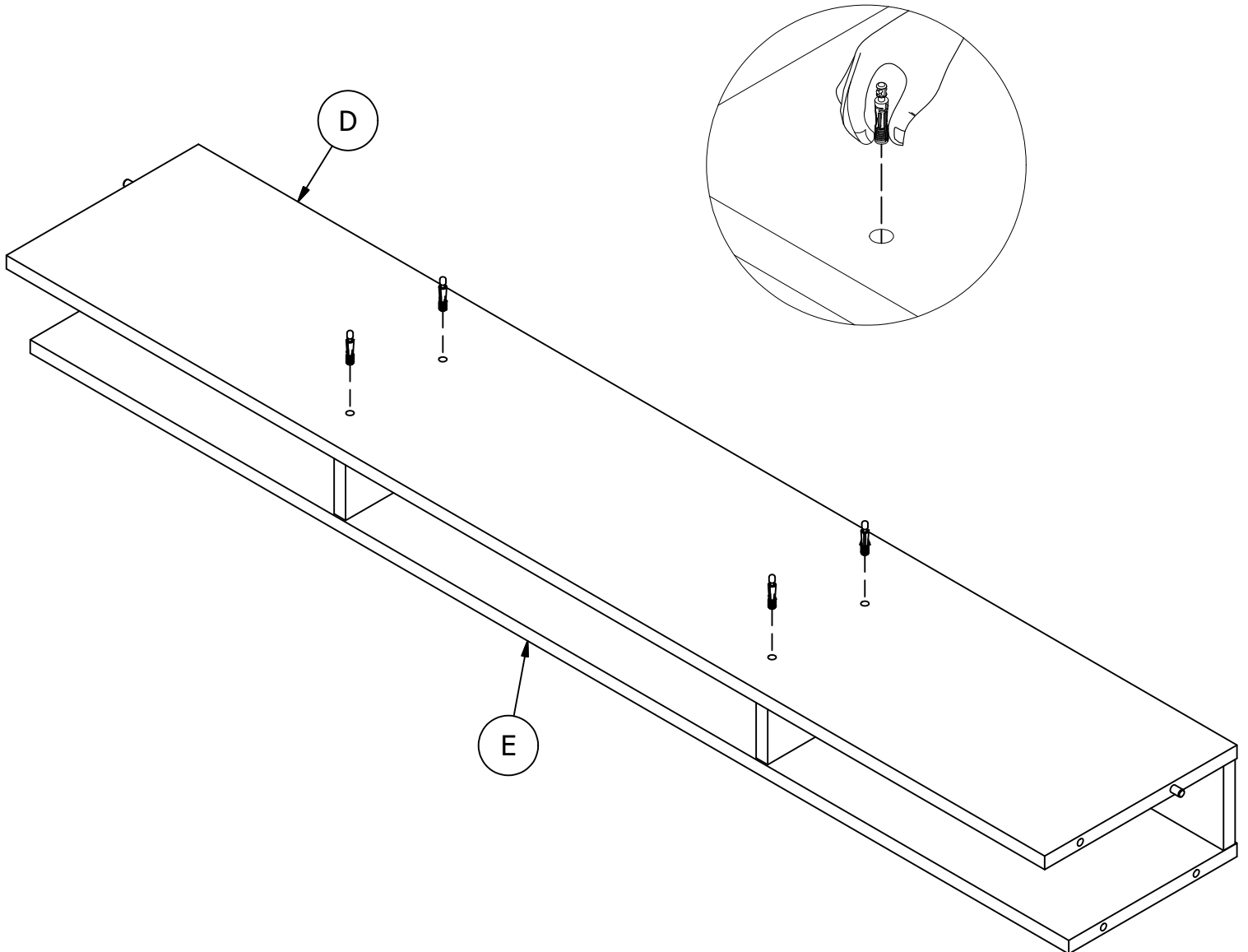
A213424B

H171556



[4]

Quickfit TL4

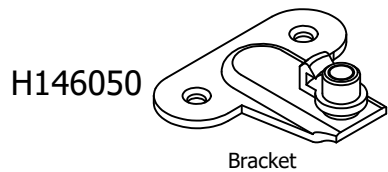


Have an assembly question or need a replacement part? Just call
1-800-950-4782, we are here to help.

STEP 8

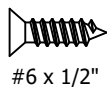
Prepare Panel

A213424B

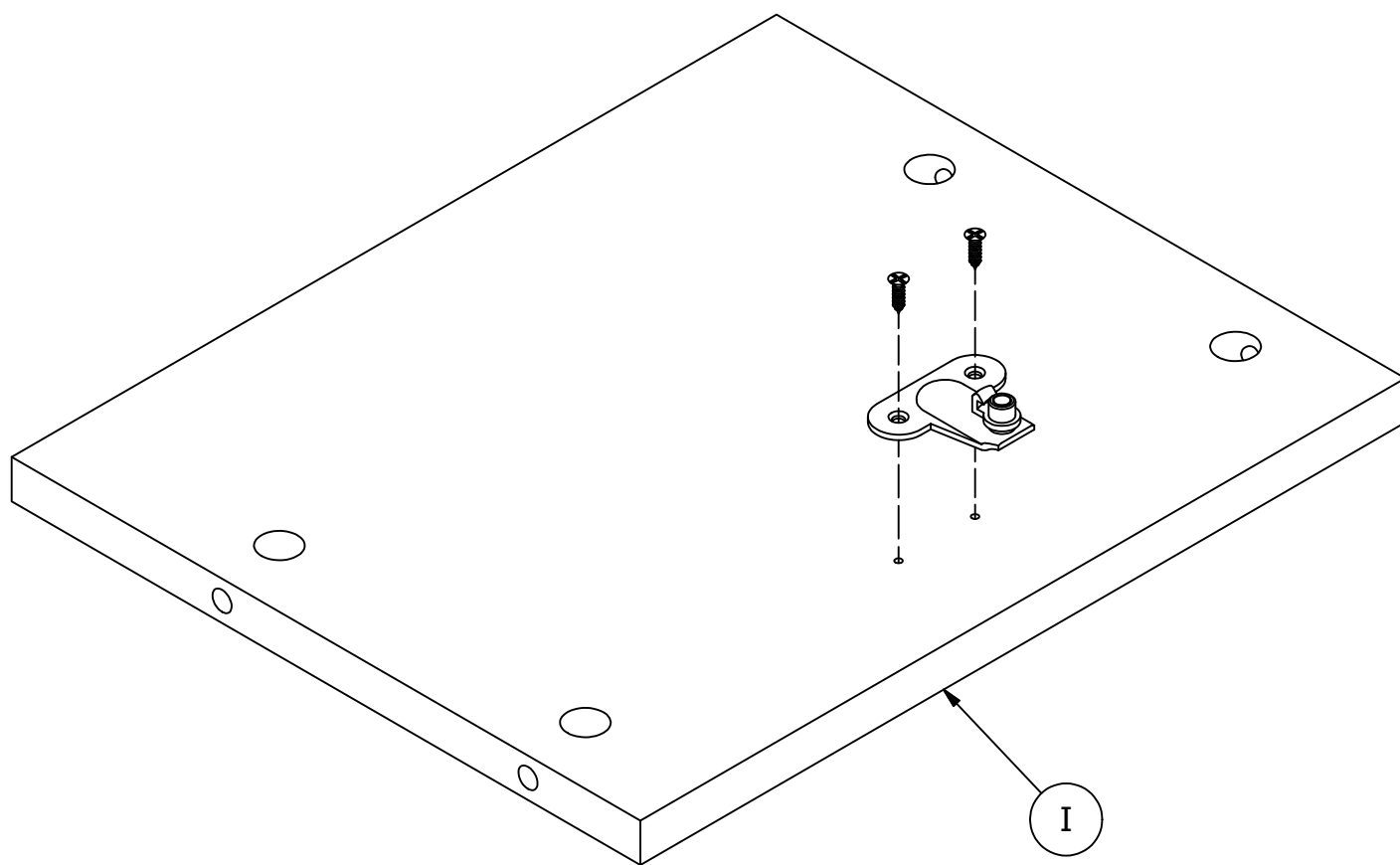


[1]

H28917
(Silver)



[2]



Have an assembly question or need a replacement part? Just call
1-800-950-4782, we are here to help.

STEP 9

Assemble Panels

A213424B

Scan QR Code to Watch Video on:



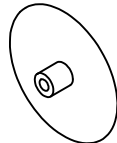
How to Tighten KD Cams

H181468US



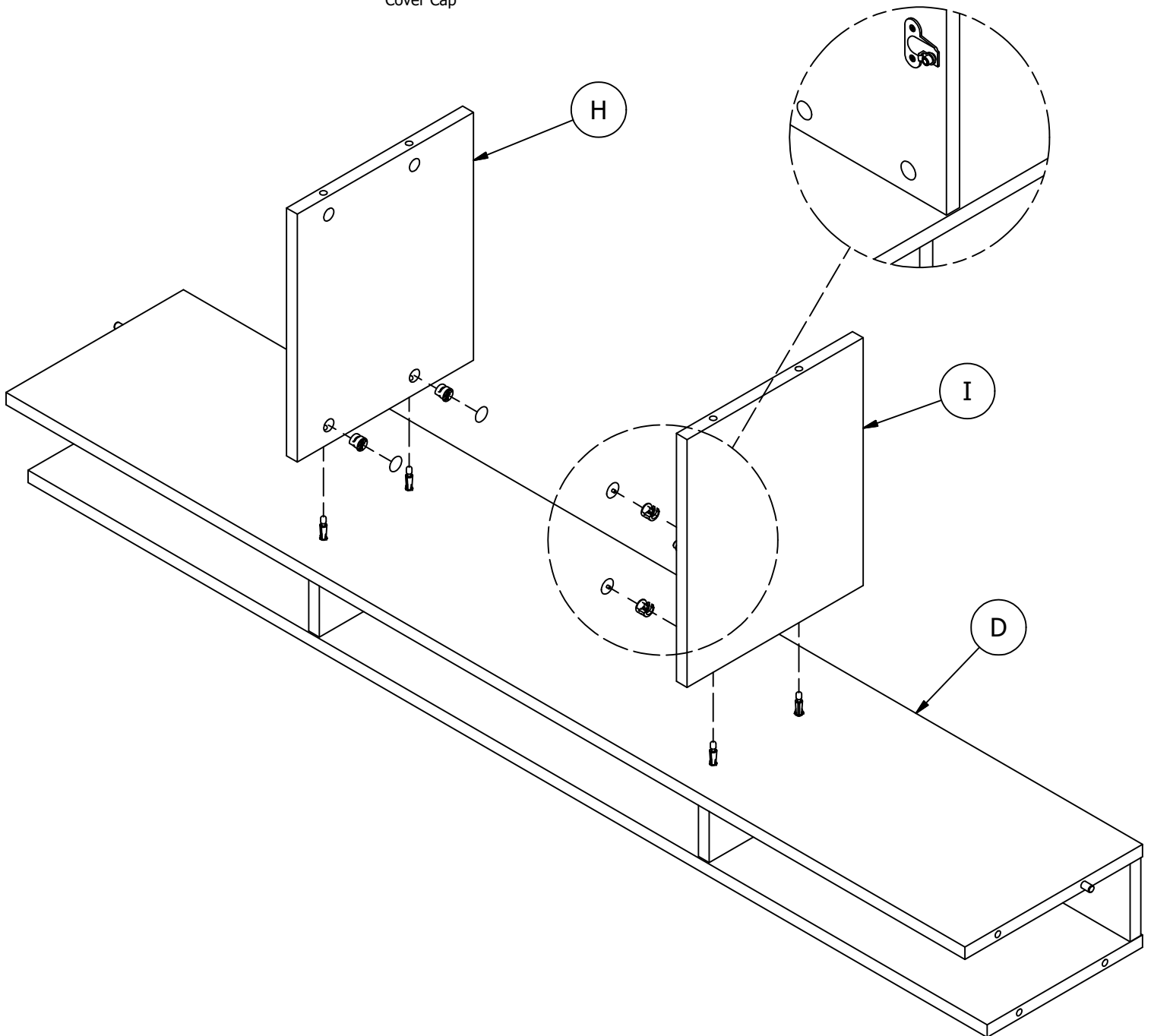
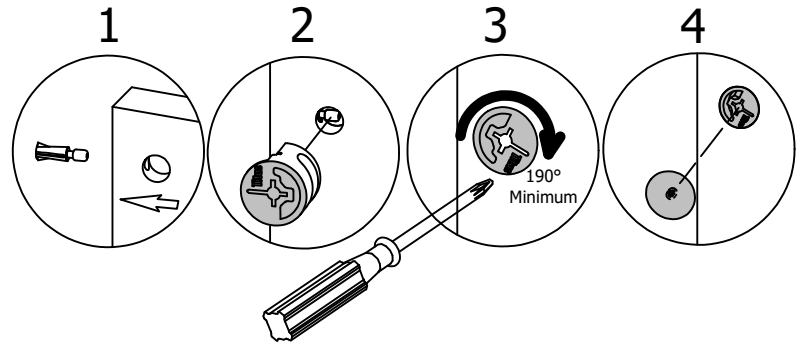
KD Cam3000

[4]



Cover Cap

[4]



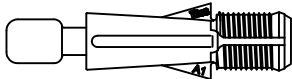
Have an assembly question or need a replacement part? Just call **1-800-950-4782**, we are here to help.

STEP 10

Prepare Panels

A213424B

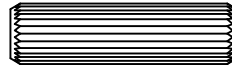
H171556



[6]

Quickfit TL4

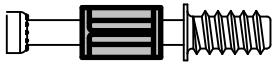
H38169



[2]

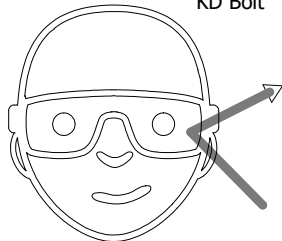
Wood Dowel 8 x 30

H72988

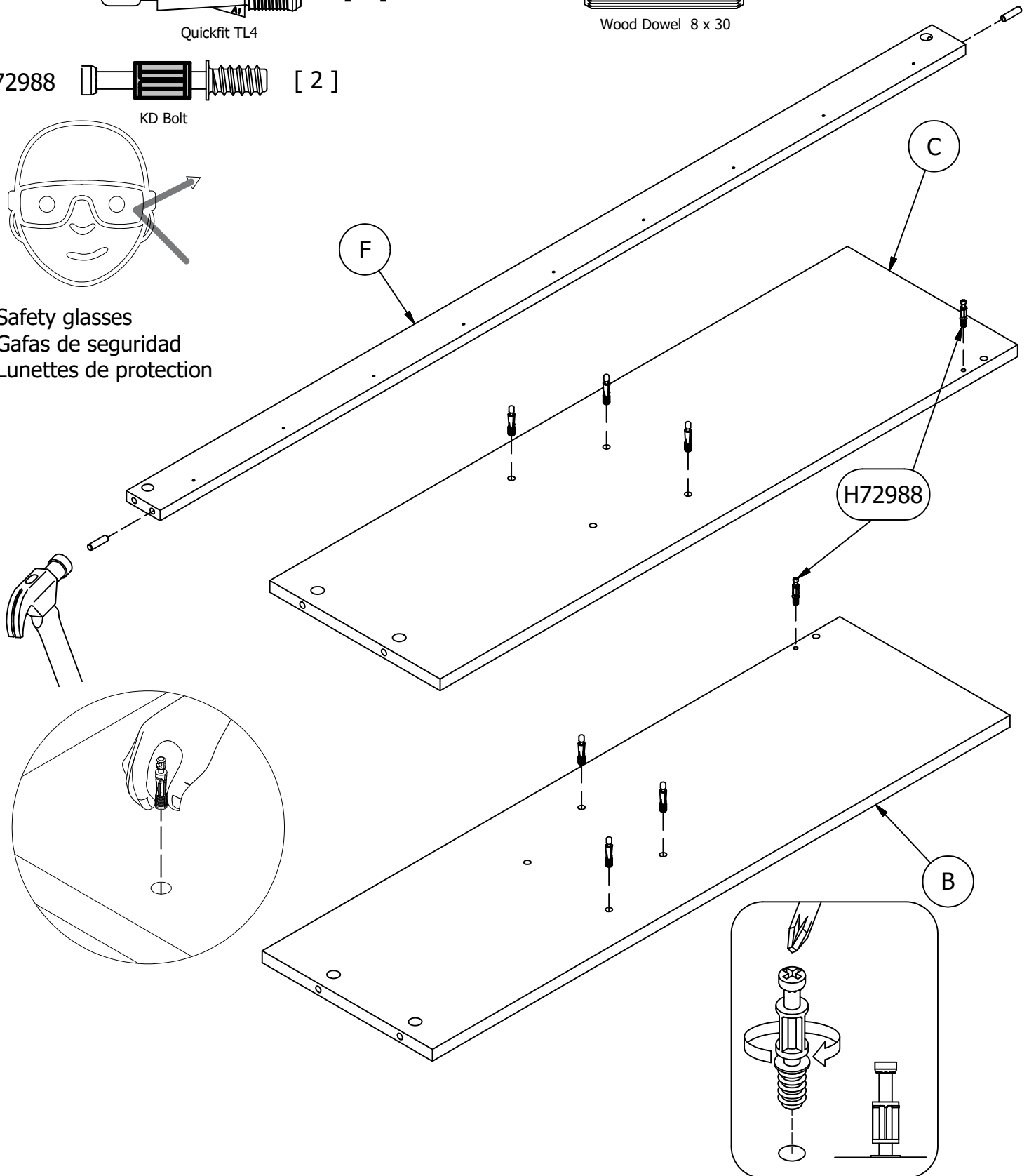


[2]

KD Bolt



Safety glasses
Gafas de seguridad
Lunettes de protection



Have an assembly question or need a replacement part? Just call
1-800-950-4782, we are here to help.

STEP 11

Assemble Panels

A213424B

Scan QR Code to Watch Video on:



How to Tighten KD Cams

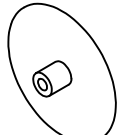


H181468US



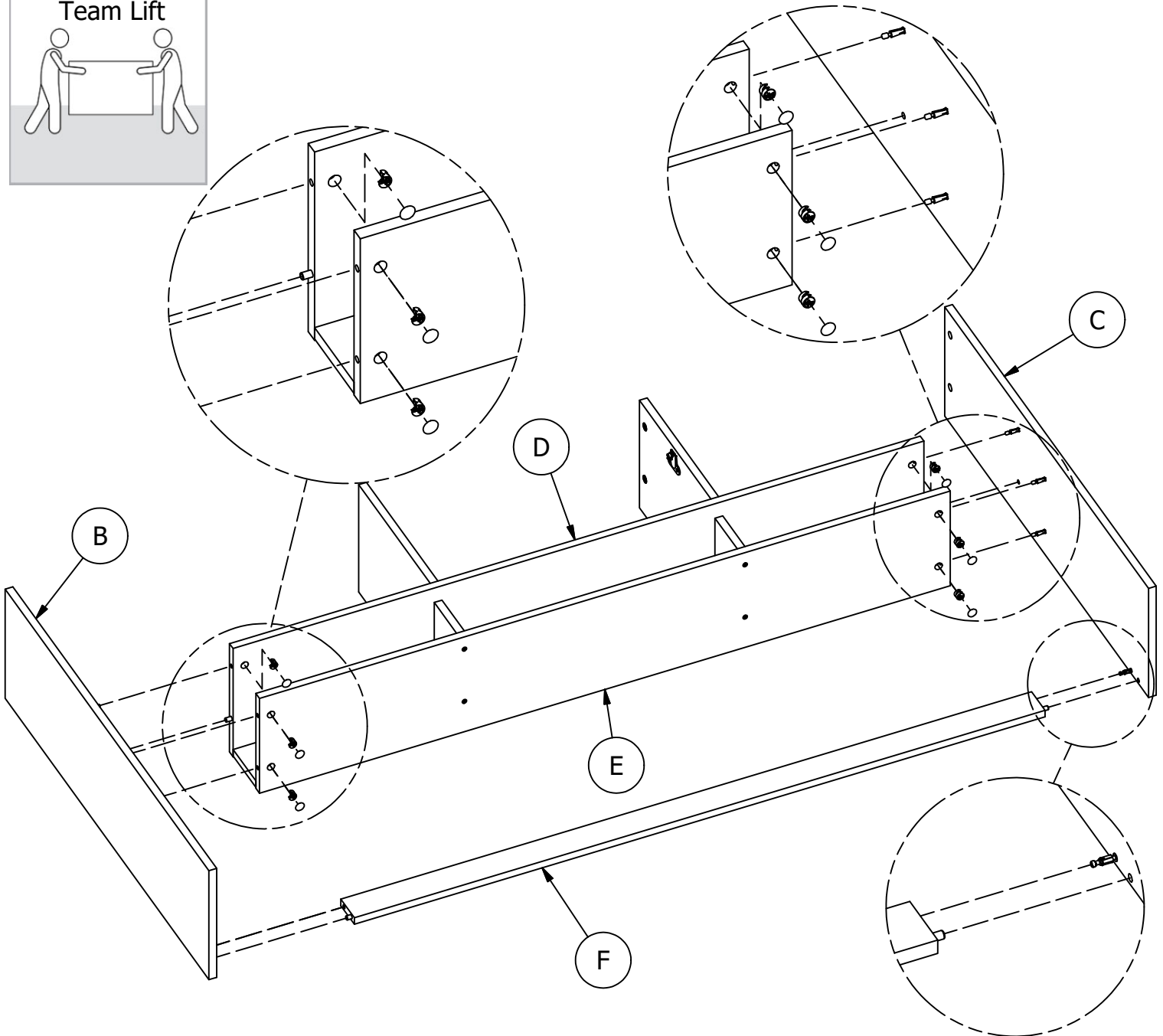
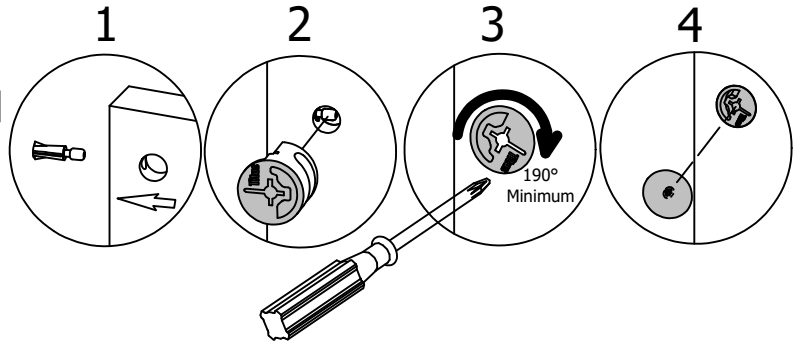
KD Cam3000

[6]



Cover Cap

[6]



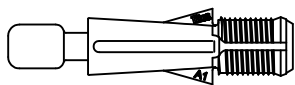
Have an assembly question or need a replacement part? Just call **1-800-950-4782**, we are here to help.

STEP 12

Prepare Panel

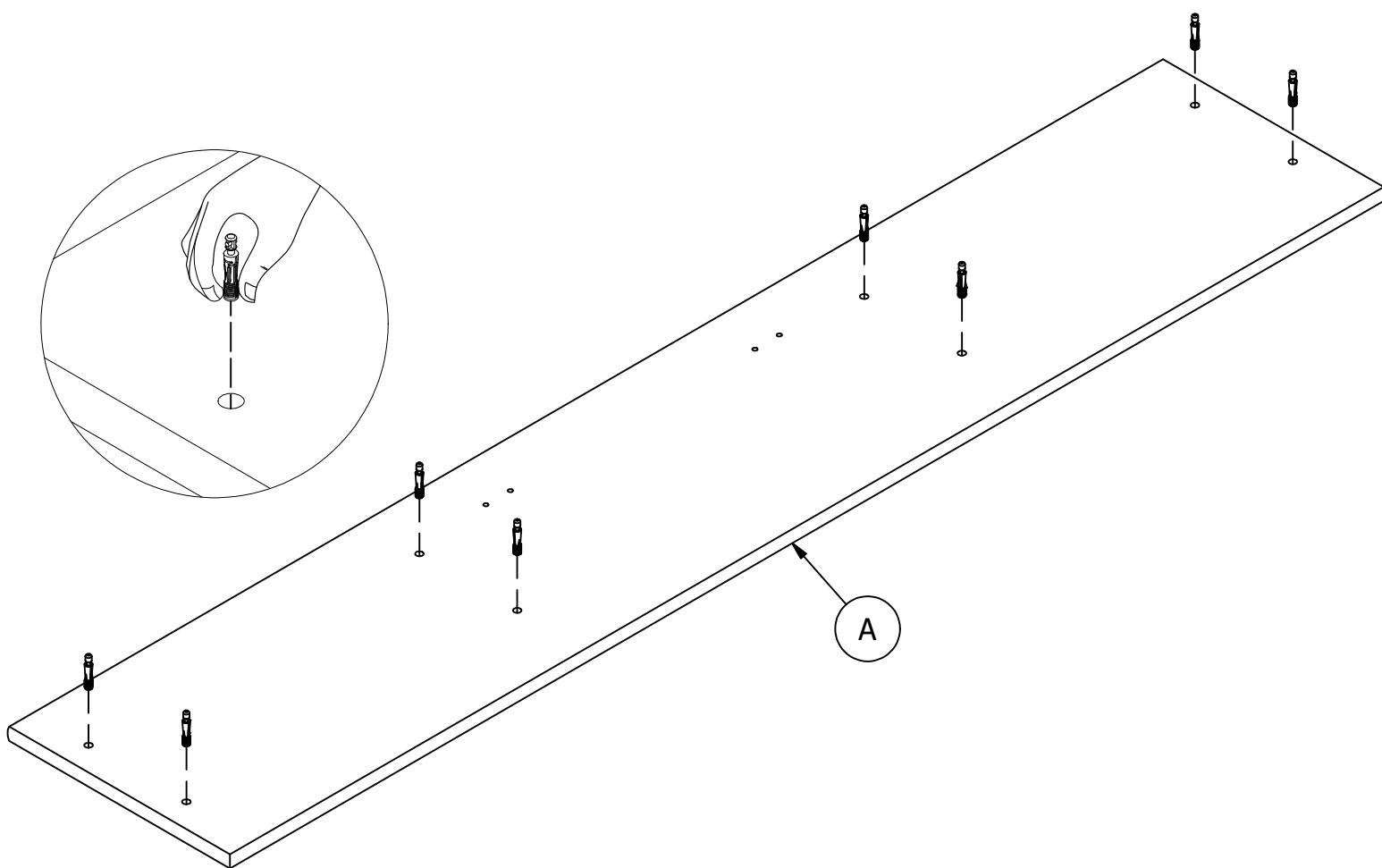
A213424B

H171556



[8]

Quickfit TL4



Have an assembly question or need a replacement part? Just call
1-800-950-4782, we are here to help.

STEP 13

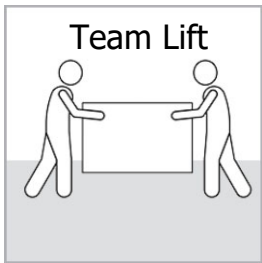
Assemble Panels

A213424B

Scan QR Code to Watch Video on:



How to Tighten KD Cams

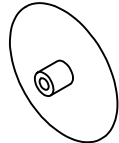


H181468US



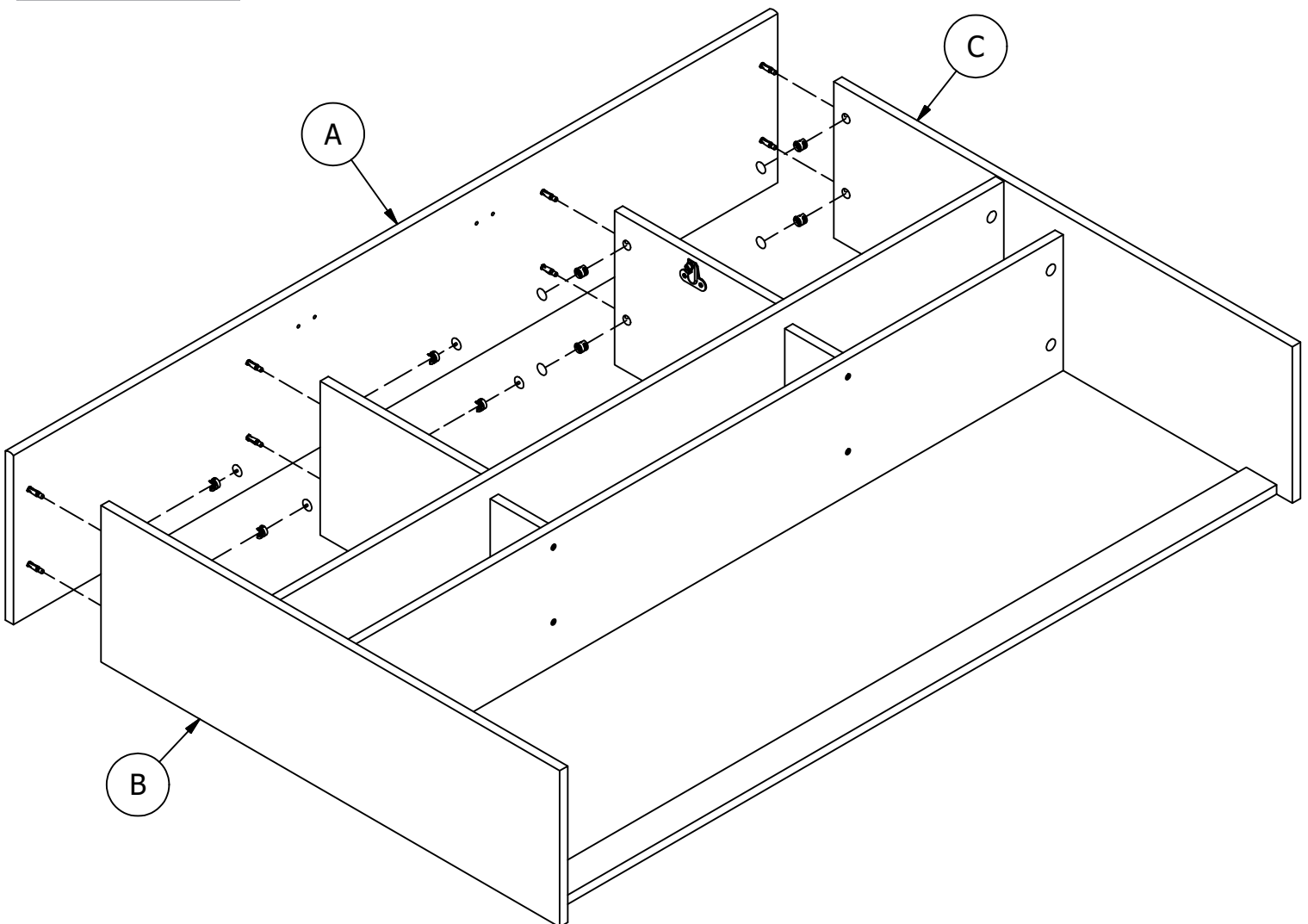
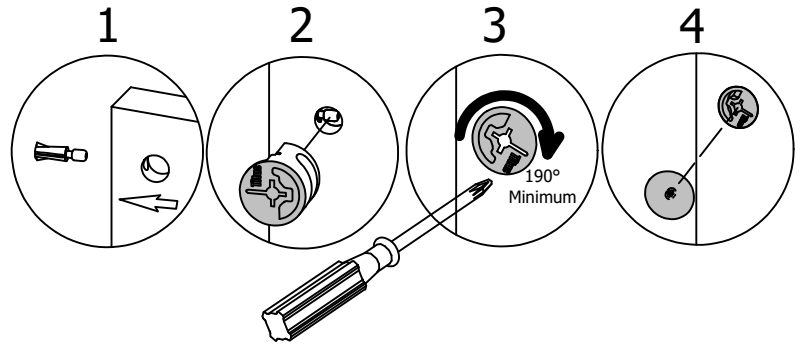
KD Cam3000

[8]



Cover Cap

[8]



Have an assembly question or need a replacement part? Just call **1-800-950-4782**, we are here to help.

STEP 14

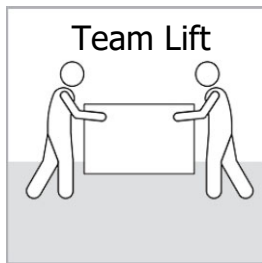
Attach Hardware

A213424B

Scan QR Code to Watch Video on:



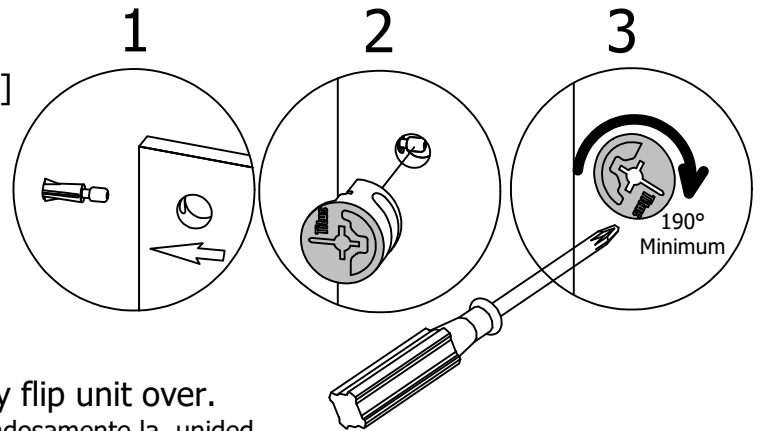
How to Tighten KD Cams



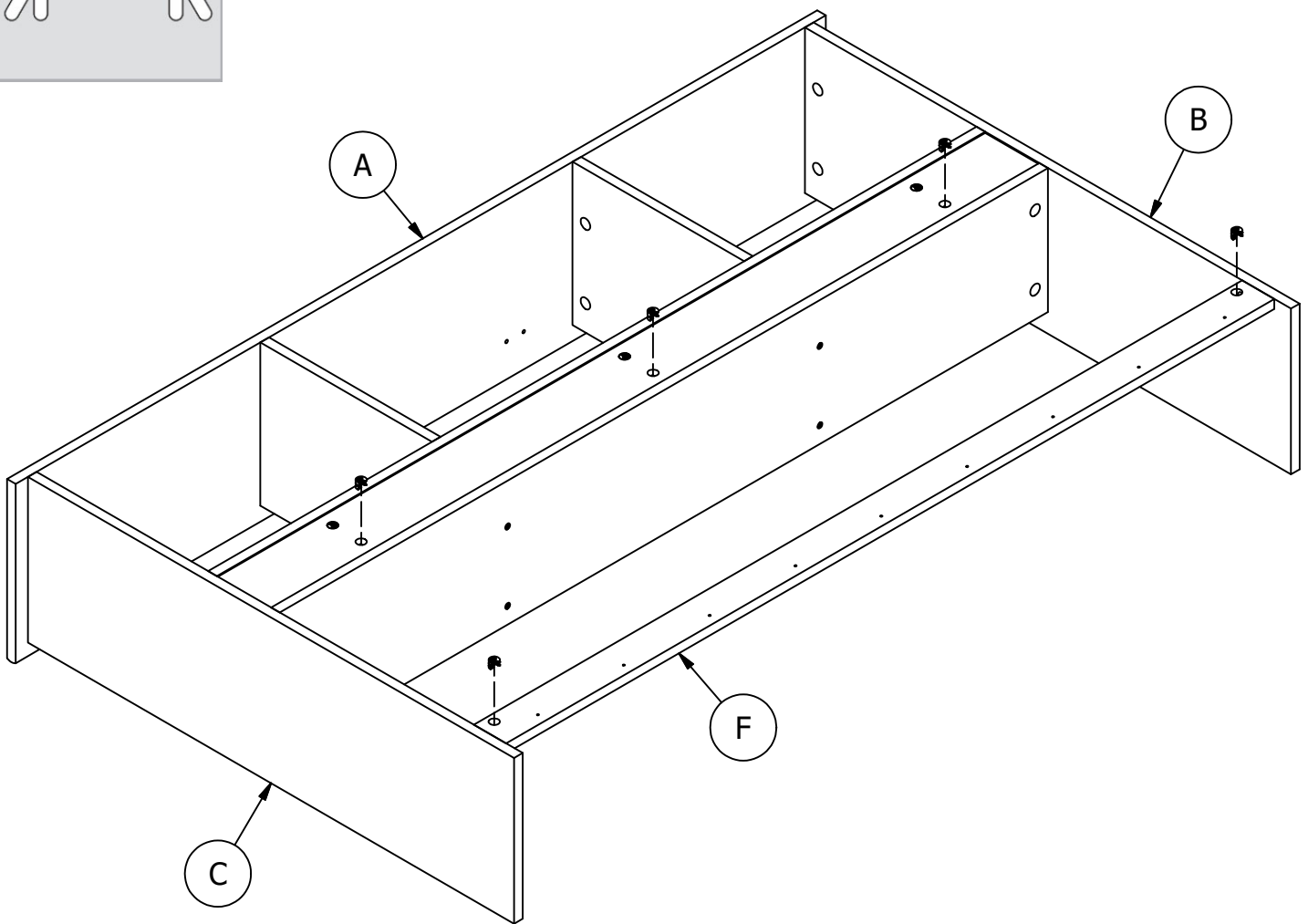
H181468US



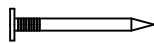
[5]

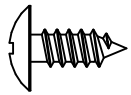


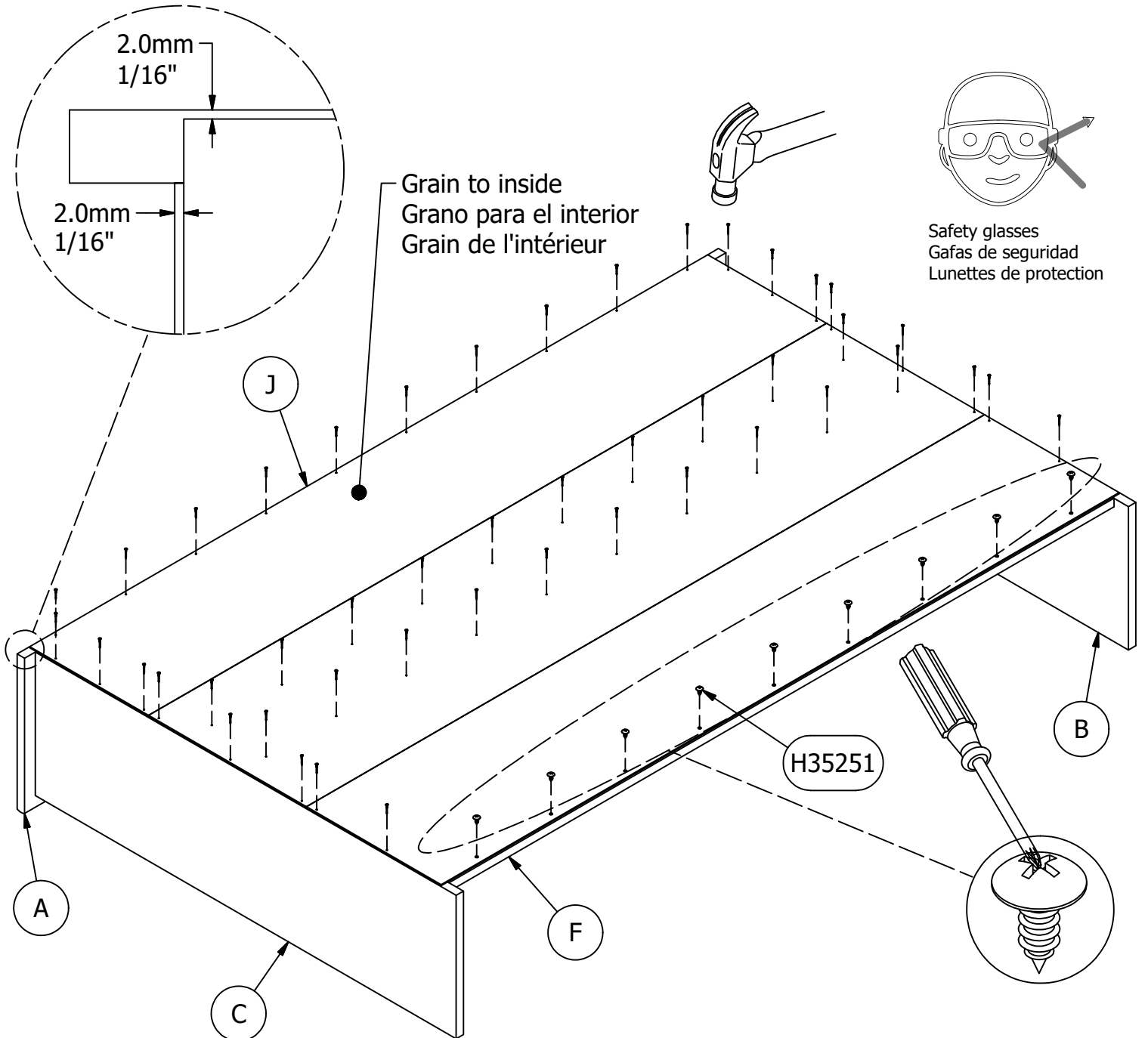
With assistant, carefully flip unit over.
Con el asistente, voltee cuidadosamente la unidad.
Avec l'assistant, retourner soigneusement l'unité.



Have an assembly question or need a replacement part? Just call **1-800-950-4782**, we are here to help.

 [46]
Nail 19mm

H35251 [9]
(Black)  #10 x 1/2"



Have an assembly question or need a replacement part? Just call
1-800-950-4782, we are here to help.

STEP 16

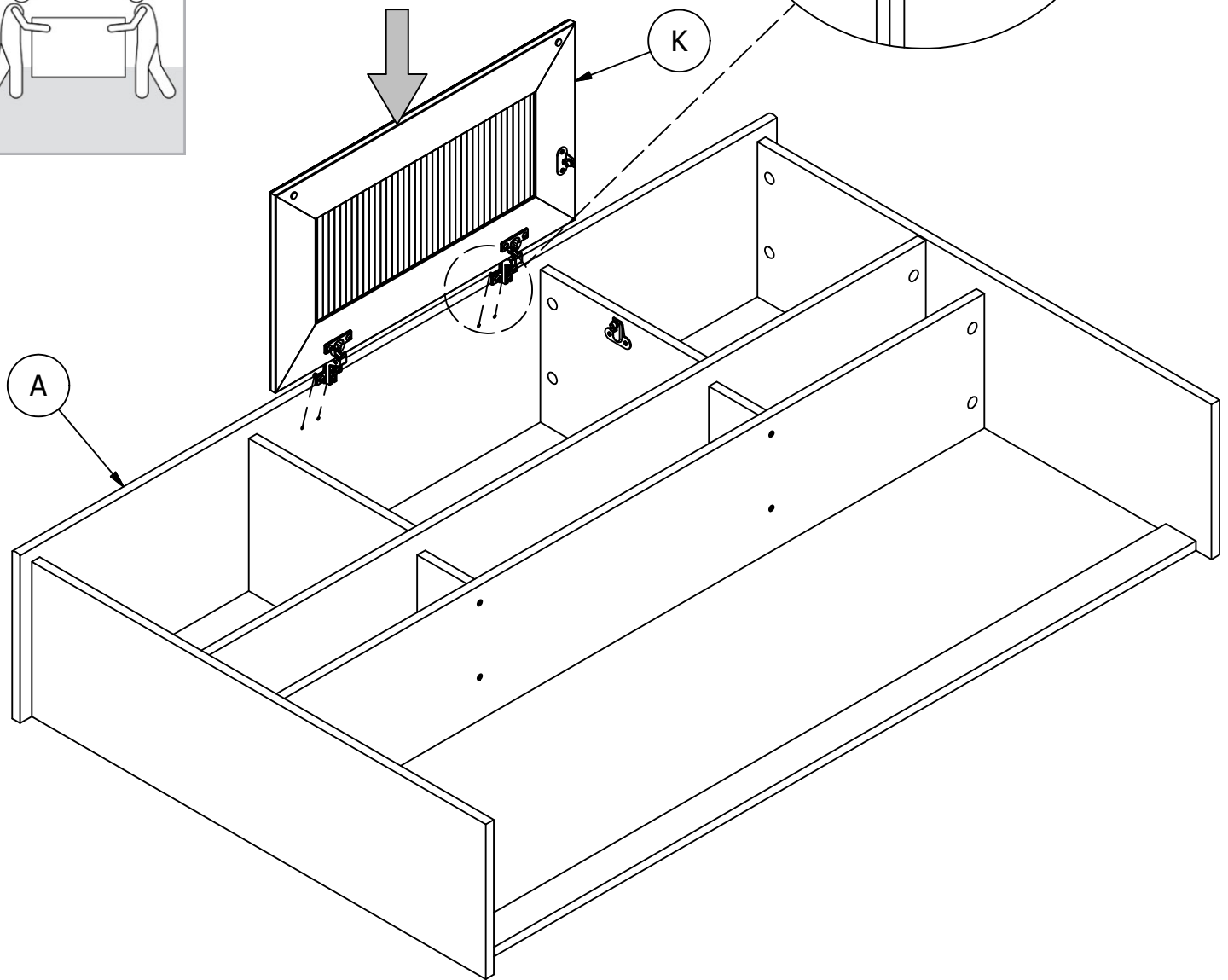
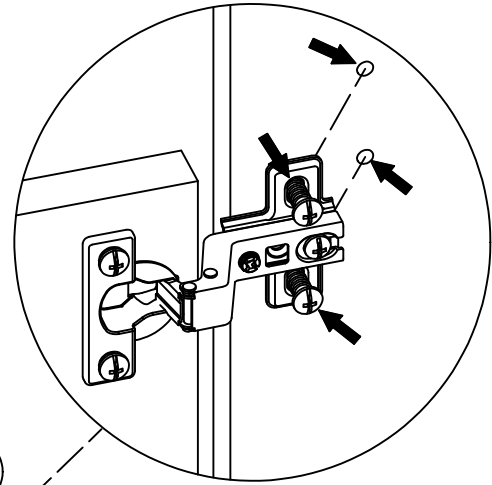
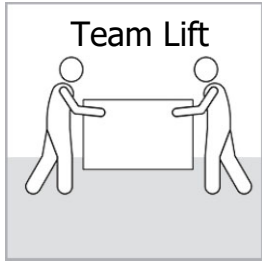
Attach Component

A213424B

Scan QR Code to
Watch Video on:



How to Adjust
Door Hinges

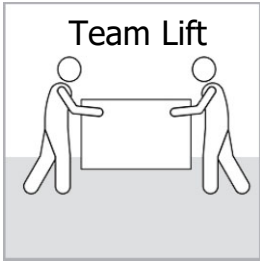


Have an assembly question or need a replacement part? Just call
1-800-950-4782, we are here to help.

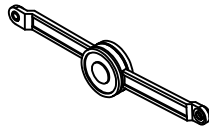
STEP 17

Attach Hardware

A213424B



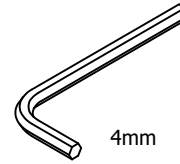
H146048



[1]

Lid Stay

H26328



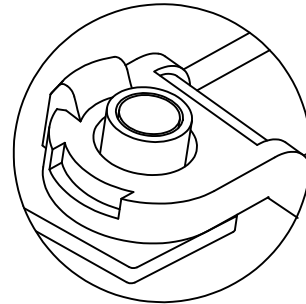
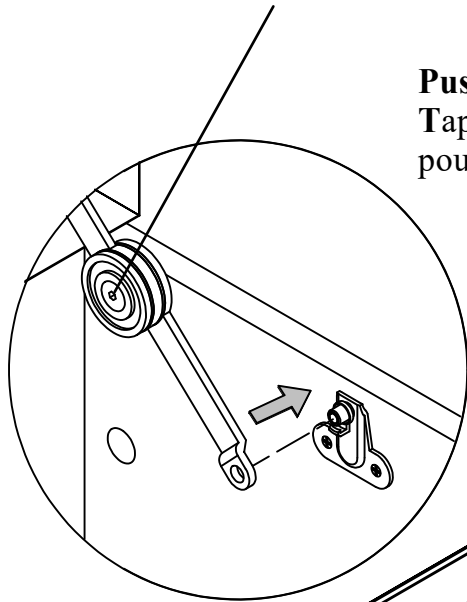
[1]

4mm

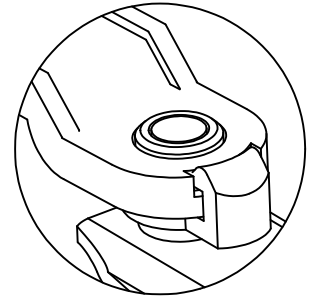
Adjust lid stay so door stays open. 4mm Allen wrench
Ajuste la tapa para que la puerta se abra. Llave Allen de 4 mm
Ajuster le couvercle pour que la porte reste ouverte. Clé Allen 4 mm

Assemble parts as shown.
Ensamble las piezas como se muestra.
Assembler les pièces comme indiqué.

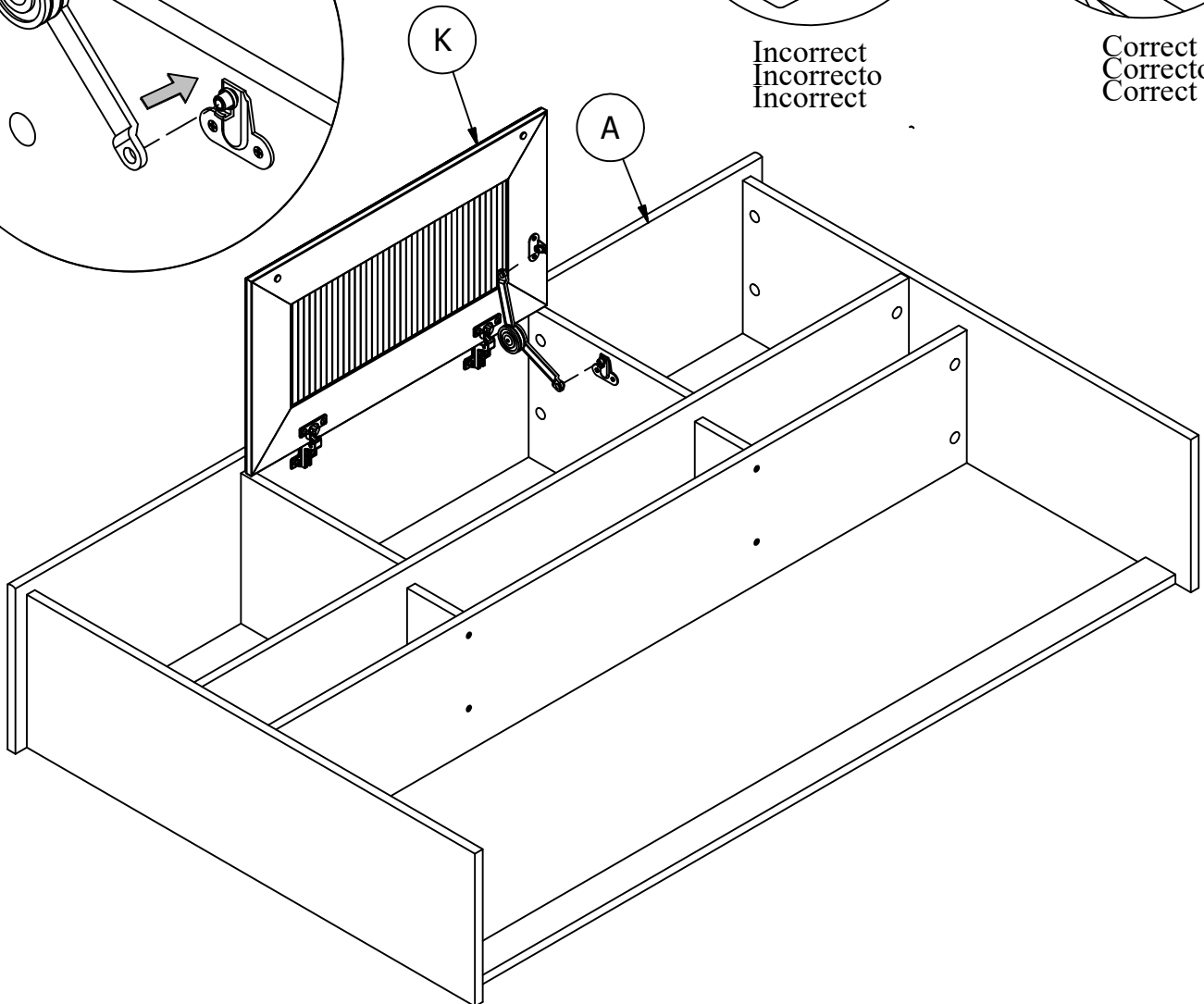
Push lid stay
Tapa de empuje
pousser le couvercle



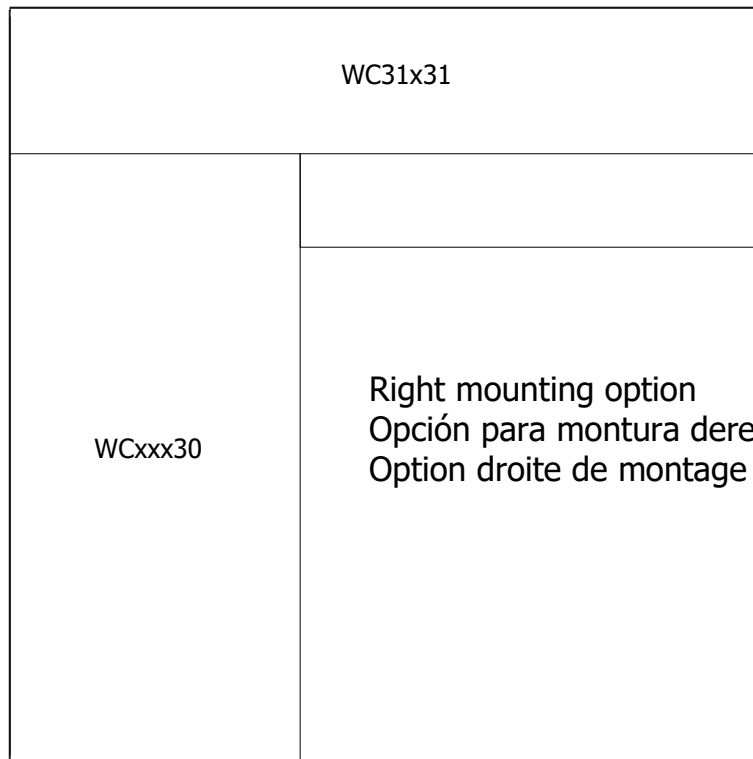
Incorrect
Incorrecto
Incorrect



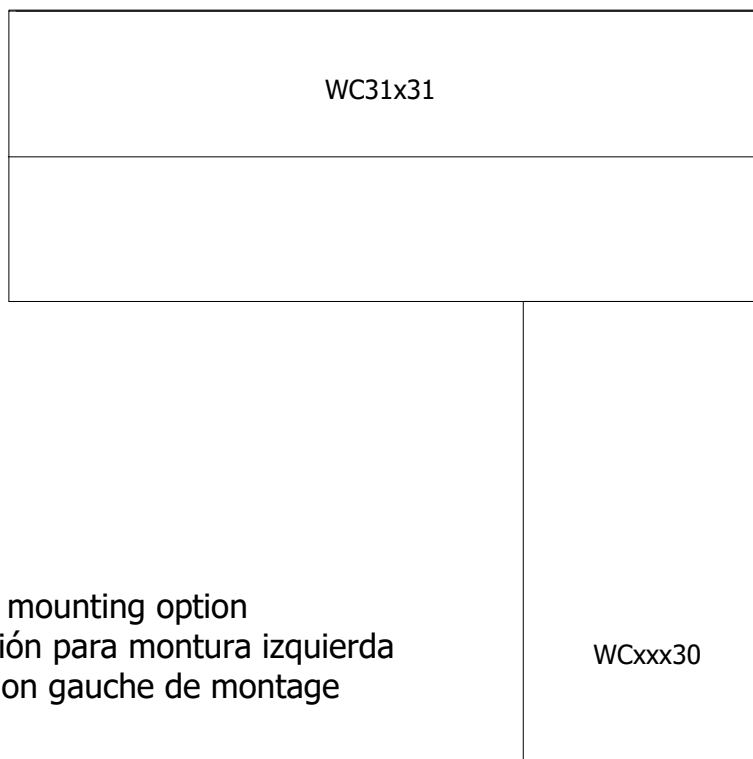
Correct
Correcto
Correct



Have an assembly question or need a replacement part? Just call
1-800-950-4782, we are here to help.

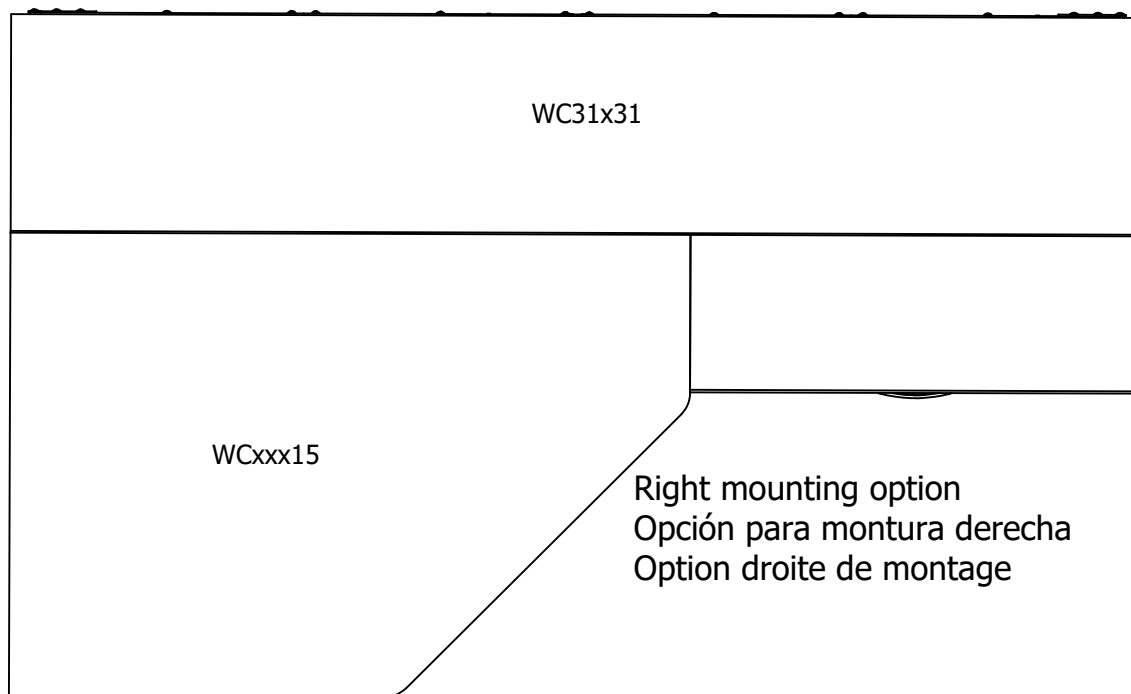


Go to Step 20.
Proceda al paso 20.
Allez à l'étape 20.

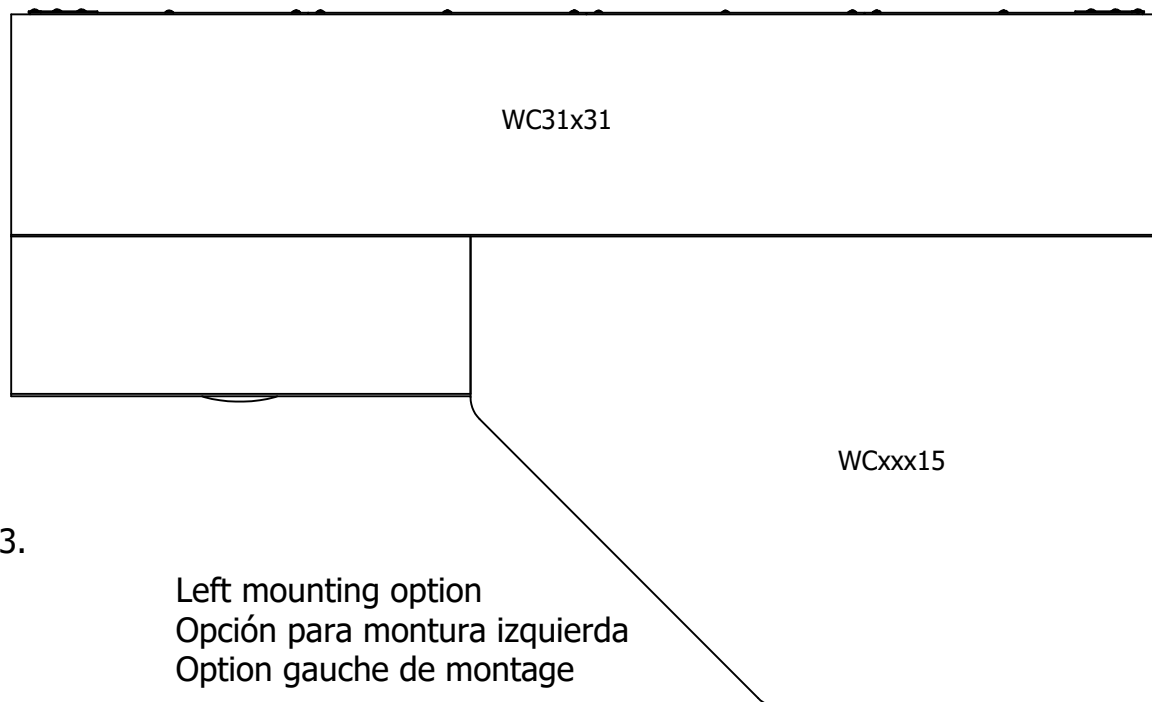


Go to Step 21.
Proceda al paso 21.
Allez à l'étape 21.

Left mounting option
Opción para montura izquierda
Option gauche de montage



Go to Step 22.
Proceda al paso 22.
Allez à l'étape 22.



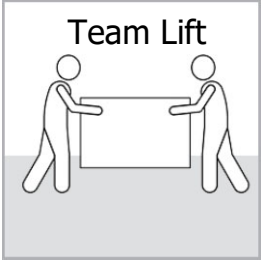
Go to Step 23.
Proceda al paso 23.
Allez à l'étape 23.

Left mounting option
Opción para montura izquierda
Option gauche de montage

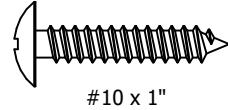
STEP 20

Attach Hutch

A213424B

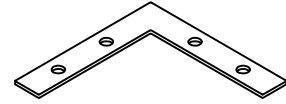


H23682



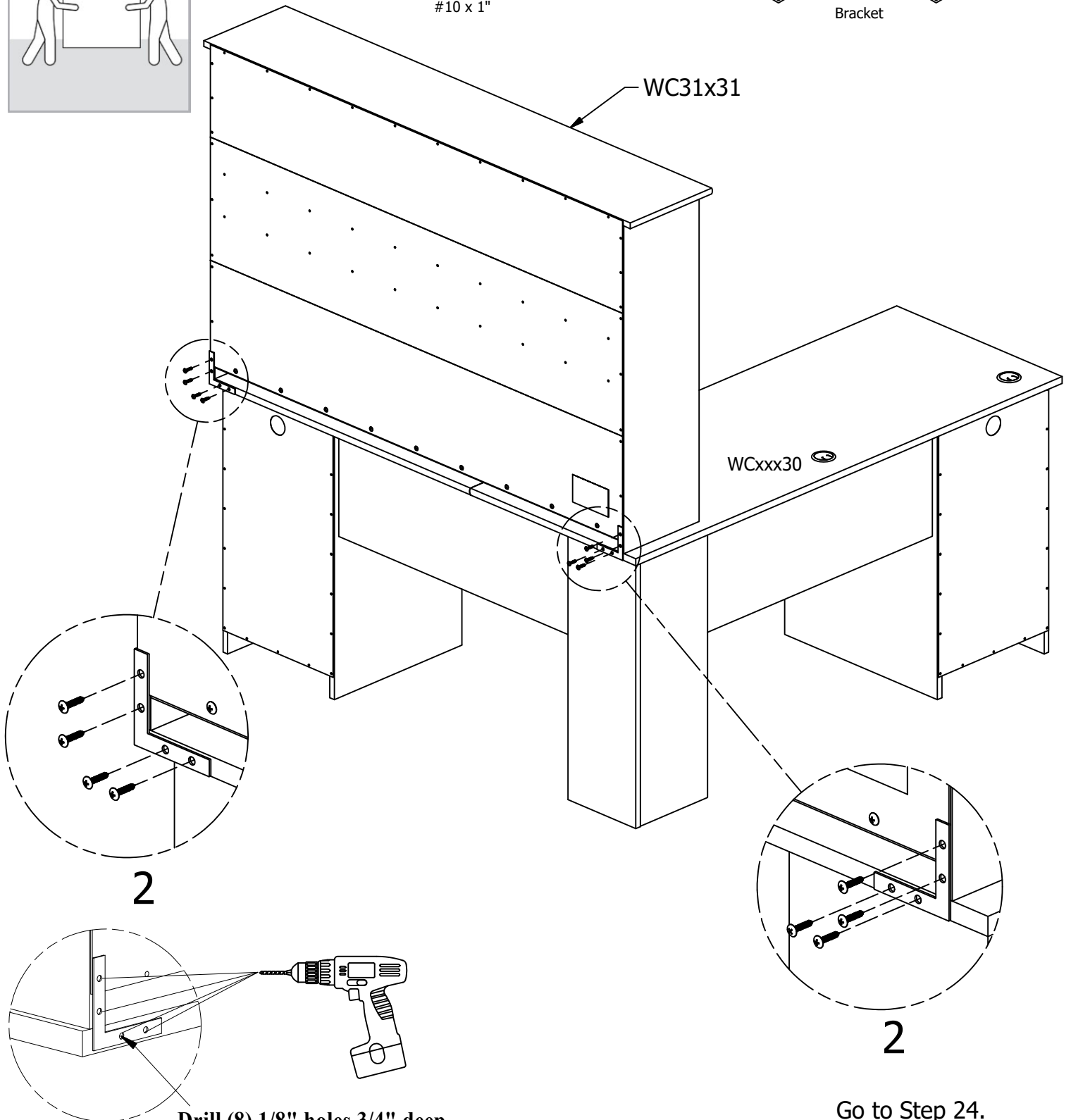
[8]

H85966



[2]

Bracket



Drill (8) 1/8" holes 3/4" deep.

Perfore (8) agujeros de 3mm a 19mm de profundido.

Percer (8) trous de 3mm de diamètre et 19mm de profondeur.

Go to Step 24.

Proceda al paso 24.

Allez à l'étape 24.

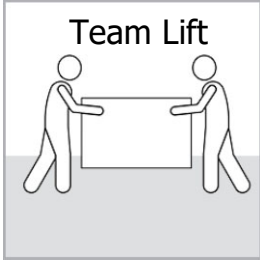
Have an assembly question or need a replacement part? Just call

1-800-950-4782, we are here to help.

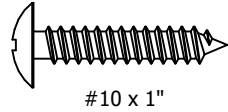
STEP 21

Attach Hutch

A213424B

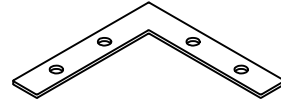


H23682



[8]

H85966



[2]

Bracket

WC31x31

WCxxx30

2

1

2

Drill (8) 1/8" holes 3/4" deep.

Perfore (8) agujeros de 3mm a 19mm de profundo.

Percer (8) trous de 3mm de diamètre et 19mm de profondeur.

Go to Step 24.

Proceda al paso 24.

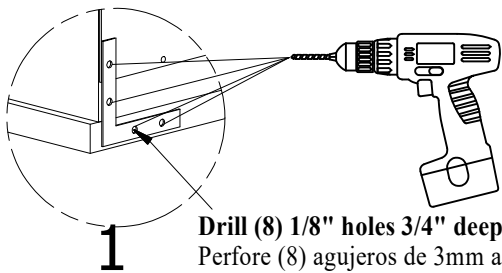
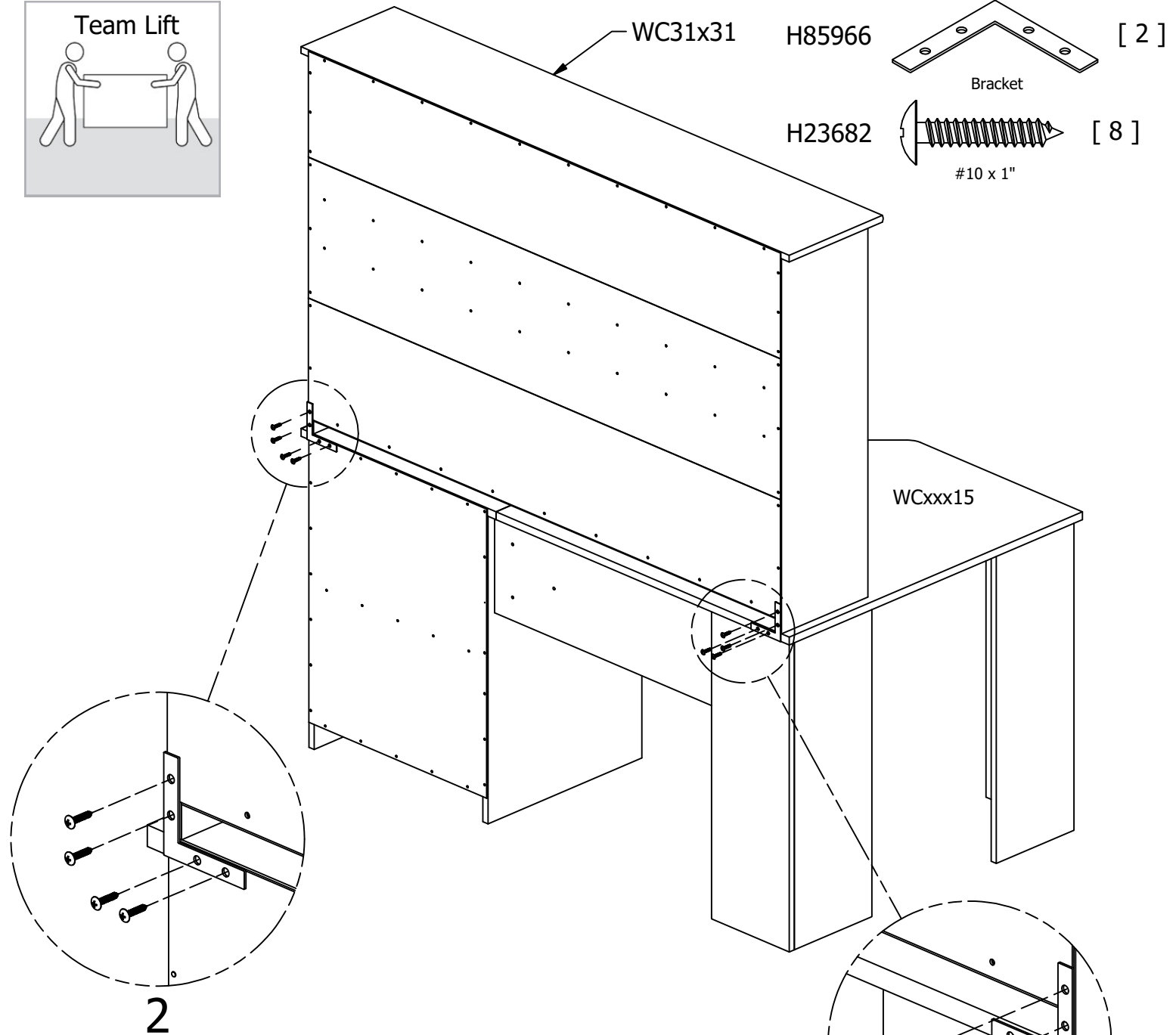
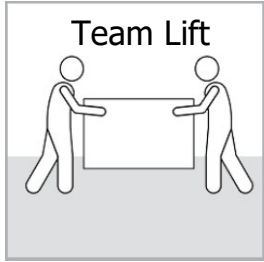
Allez à l'étape 24.

Have an assembly question or need a replacement part? Just call
1-800-950-4782, we are here to help.

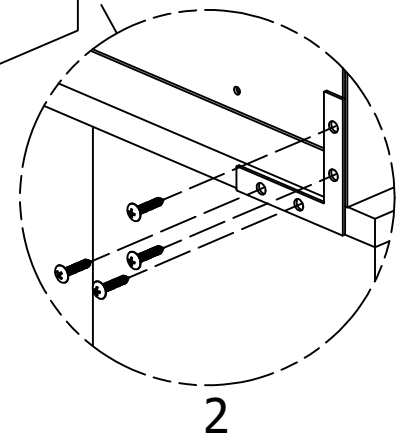
STEP 22

Attach Hutch

A213424B



Drill (8) 1/8" holes 3/4" deep.
Perfore (8) agujeros de 3mm a 19mm de profundo.
Percer (8) trous de 3mm de diamètre et 19mm de profondeur.



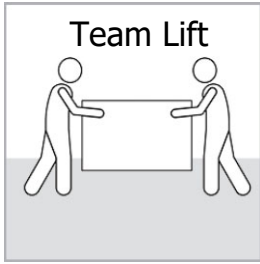
Go to Step 24.
Proceda al paso 24.
Allez à l'étape 24.

Have an assembly question or need a replacement part? Just call
1-800-950-4782, we are here to help.

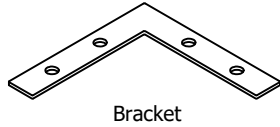
STEP 23

Attach Hutch

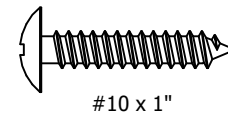
A213424B



H85966



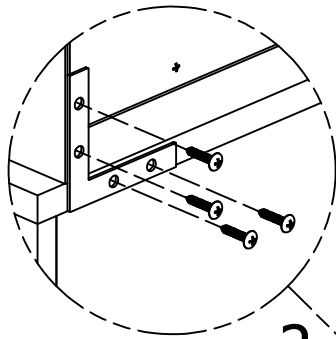
[2] H23682



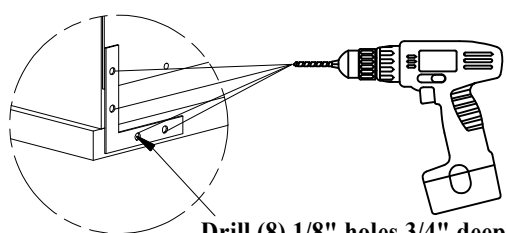
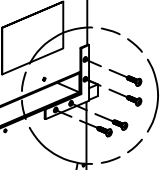
[8]

WC31x31

WCxxx15

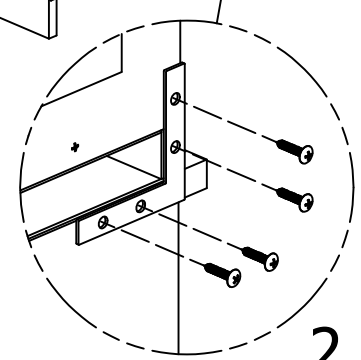


2



1

Drill (8) 1/8" holes 3/4" deep.
Perfore (8) agujeros de 3mm a 19mm de profundo.
Percer (8) trous de 3mm de diamètre et 19mm de profondeur.



2

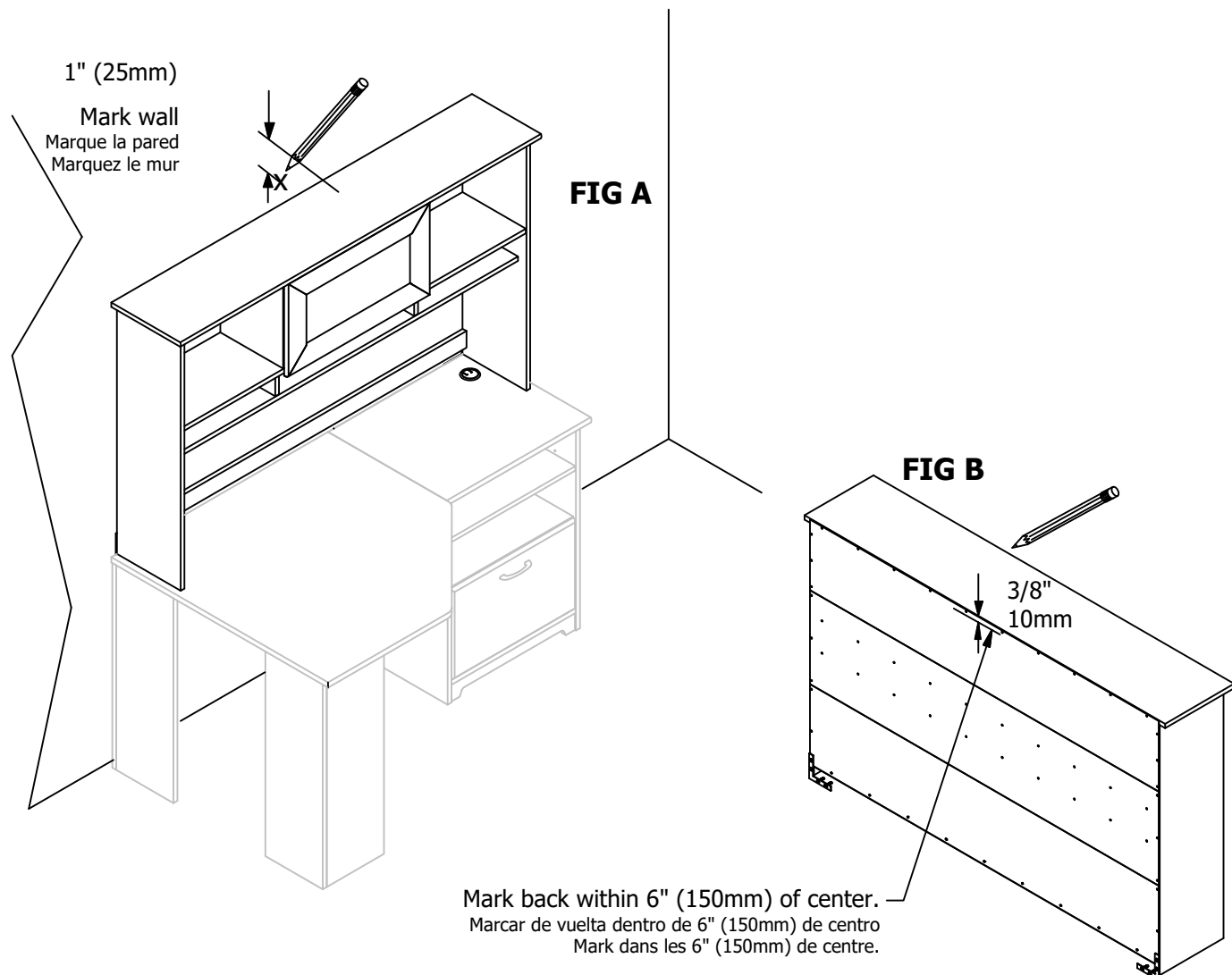
Have an assembly question or need a replacement part? Just call
1-800-950-4782, we are here to help.

Secure unit to the wall with a tip-over restraint.
 Unidad de seguro a la pared con un sistema de retención de un vuelco.
 Fixer l'unité au mur avec un dispositif de retenue renversement.

1. Place unit in desired location.
2. Locate wall stud nearest unit center. **FIG A**
3. On wall, mark center of stud location 1" below top of unit. **FIG A**
4. If a wall stud cannot be located mark hollow wall at unit center. **FIG A**
5. On back of unit, mark corresponding location 3/8" below top of unit. **FIG B**

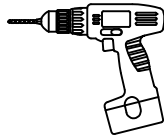
1. Coloque la unidad en el lugar deseado.
2. Localice pie derecho de pared centro de unidad más próxima.
3. En la pared del, marque el centro de la ubicación del montante 1 "abajo la parte superior de la unidad.
4. Si un poste de la pared no se puede localizar marcar pared hueca en el centro de la unidad.
5. En el dorso de la unidad, marque la ubicación 3/8 correspondiente abajo la parte superior de la unidad.

1. Placez l'unité à l'endroit désiré.
2. Localiser centre d'unité la plus proche de la paroi Stud.
3. Sur le mur, centre de emplacement du montant 1 "ci-dessous dessus de l'appareil de la marque.
4. Si un montant de mur ne peut pas être situé marquer mur creux au centre de l'unité.
5. Le dos de l'appareil, marquer l'emplacement 3/8 correspondant ci-dessous dessus de l'appareil.



Have an assembly question or need a replacement part? Just call
1-800-950-4782, we are here to help.

WALL STUD ATTACHMENT



Drill 1/8" hole 2" deep at mark on wall.
 Taladro 1/8 "agujero 2" de profundidad en la marca en la pared.
 Percer 1/8 "trou de 2" de profondeur à la marque sur le mur.

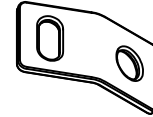
H181434



[1]

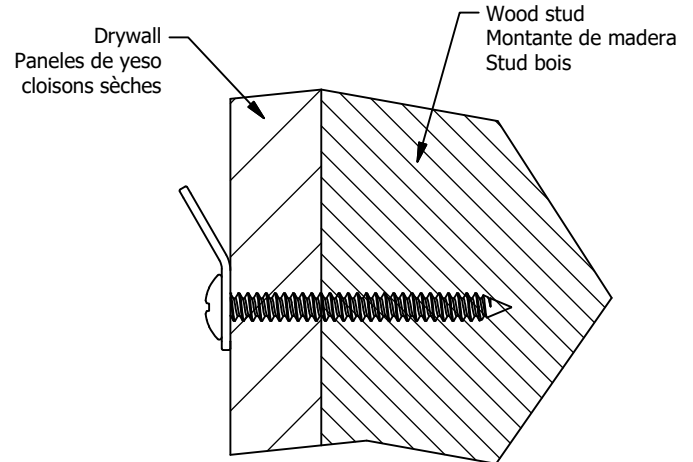
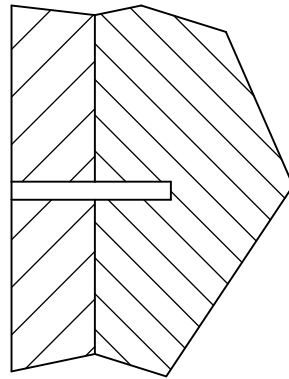
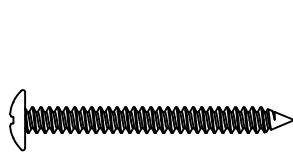
#10 x 2"

H181412

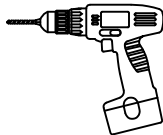


[1]

Connecting Plate

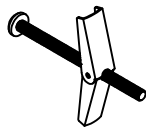


HOLLOW WALL ATTACHMENT



Drill 1/2" hole 1" deep at mark on wall.
 Taladro 1/2 "agujero 1" de profundidad en la marca en la pared.
 Percer 1/2 "trou de 1" de profondeur à la marque sur le mur.

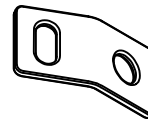
H181419



[1]

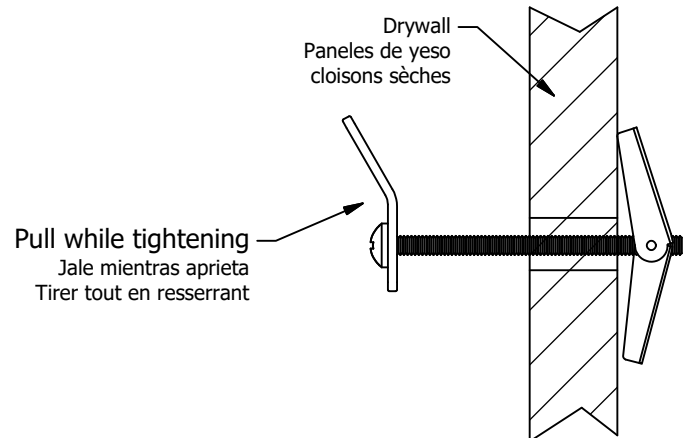
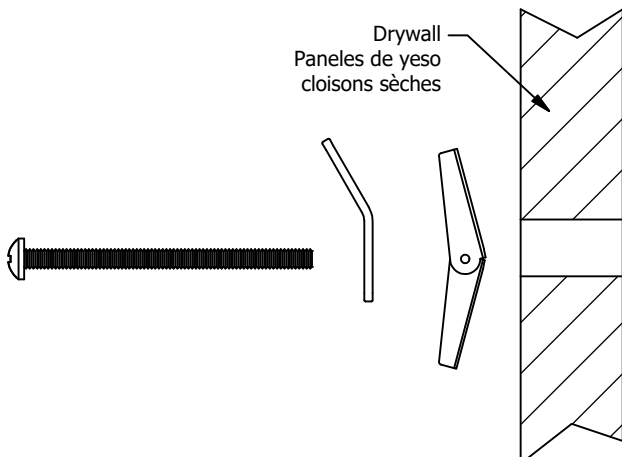
Toggle Bolt

H181412



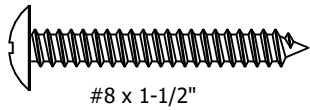
[1]

Connecting Plate



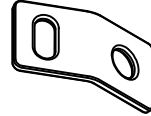
Have an assembly question or need a replacement part? Just call
1-800-950-4782, we are here to help.

H107572



[1]

H181412

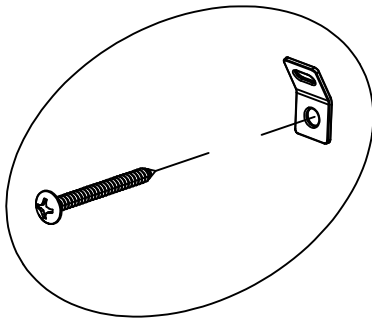


[1]

Connecting Plate



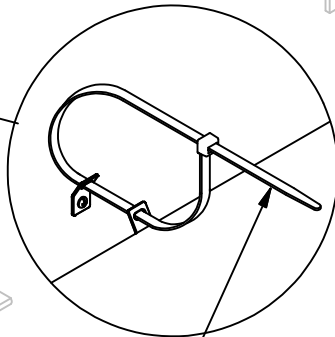
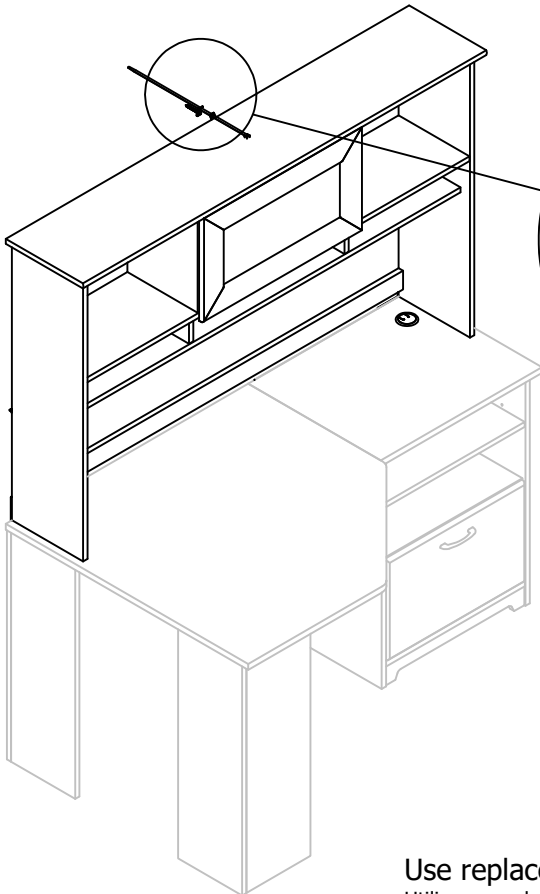
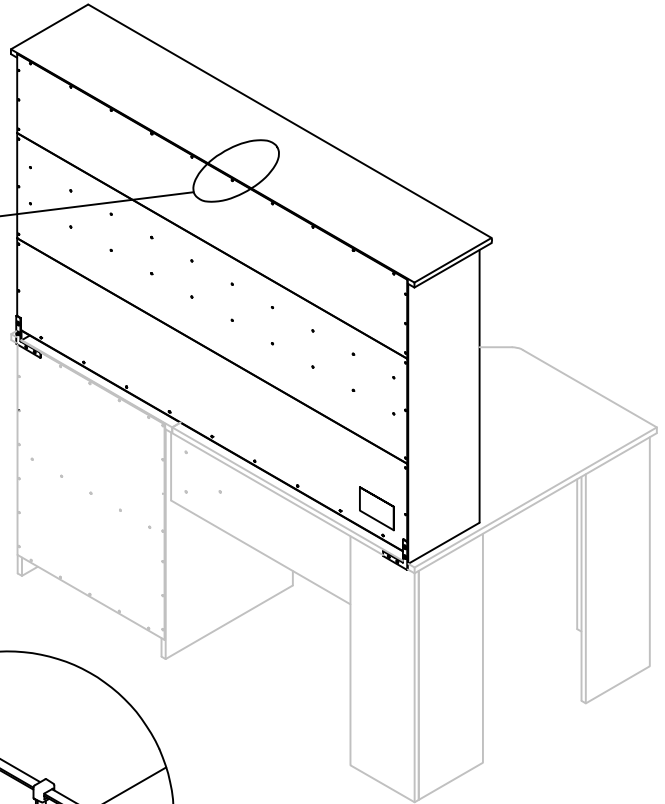
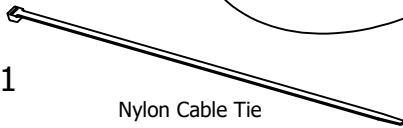
Drill 1/8" hole 1" deep at mark on unit.
Taladro 1/8 "agujero de 1" de profundidad en la marca de la unidad.
Perçer 1/8 "trou 1" de profondeur à la marque sur l'unité.



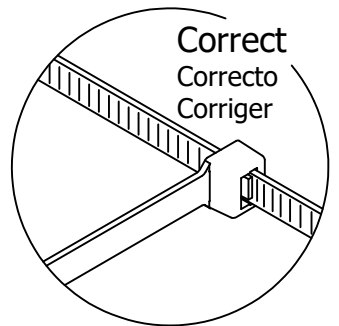
H181411

Nylon Cable Tie

[1]



Pull to verify lock
Tire para verificar cerradura
Tirez pour vérifier serrure



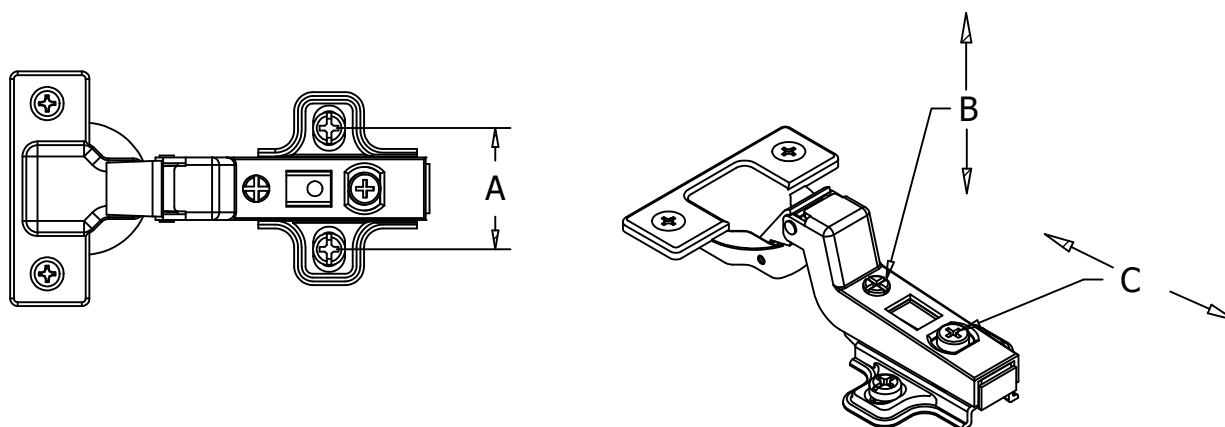
Use replacement cable tie with minimum breaking strength of 120lbs.

Utilice reemplazo embate Cable con resistencia a la rotura mínima de 120 libras.

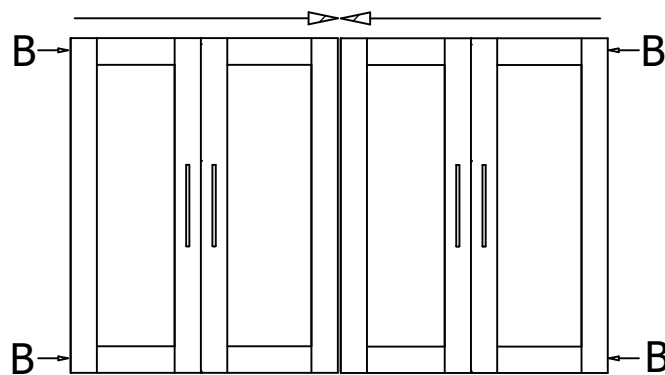
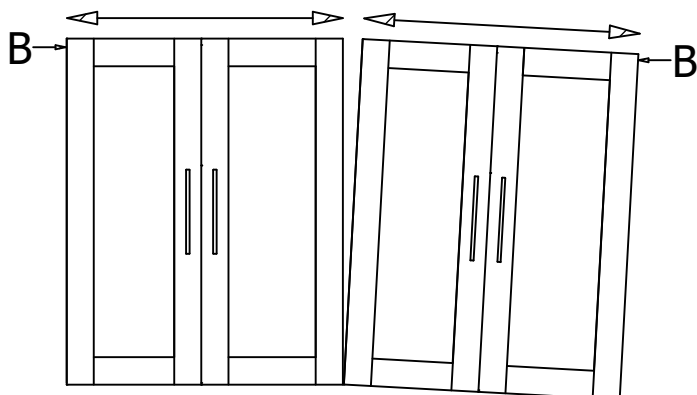
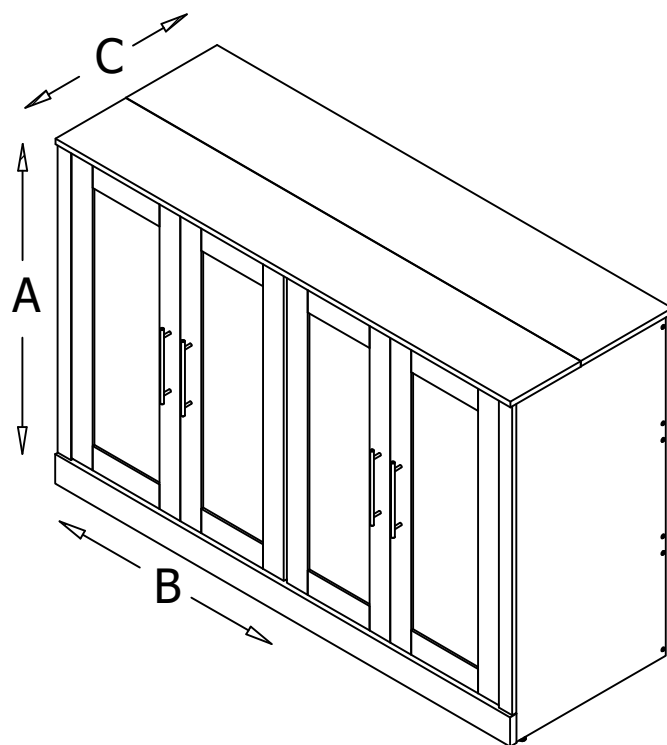
Utilisez remplacement Attache de câble avec une force de rupture minimale de 120 lbs.

Have an assembly question or need a replacement part? Just call

1-800-950-4782, we are here to help.



Door Adjustment
Ajustement des portes
Ajuste de la puerta



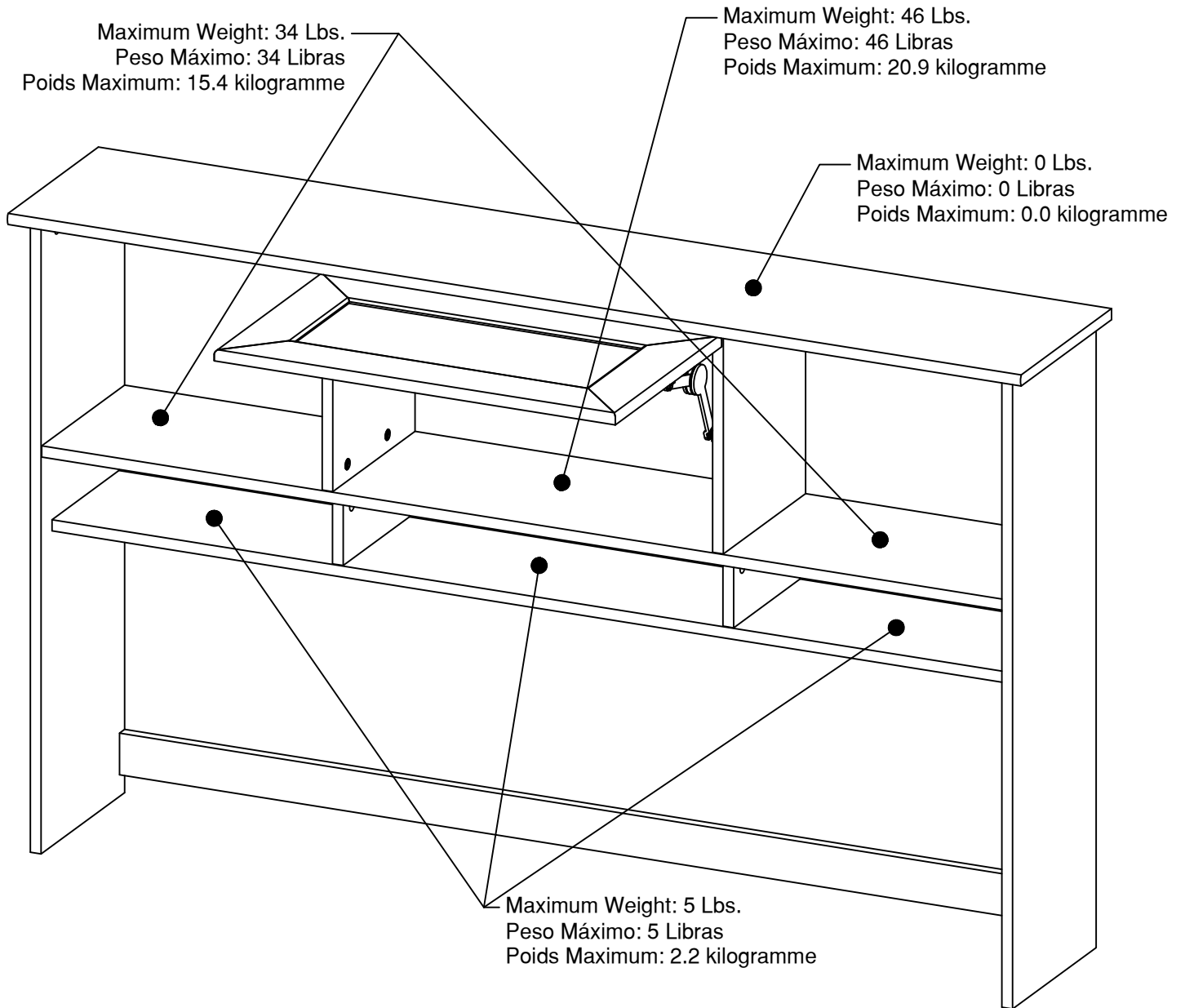
Have an assembly question or need a replacement part? Just call
1-800-950-4782, we are here to help.

Scan QR Code to Watch Video on:



How to Clean the Surface

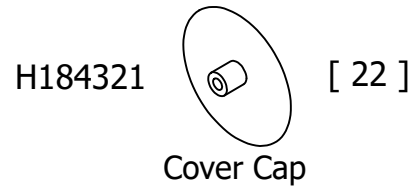
Gently clean surfaces with a damp sponge eraser.



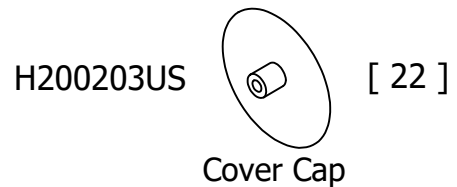
Congratulations! You are all done. If you have any questions or concerns, please call.

Have an assembly question or need a replacement part? Just call **1-800-950-4782**, we are here to help.

WC31031			
LABEL	NUMBER	QTY	DESCRIPTION
A	W213952	1	Top Shelf
B	W213953	1	Left Side Panel
C	W213954	1	Right Side Panel
D	W213955	1	Middle Shelf
E	W213956	1	Bottom Shelf
F	W213957	1	Support Rail
G	W213958	2	Divider
H	W213959	1	Left Partition
I	W213960	1	Right Partition
K	S221785	1	Door
J	W213961	1	Back Panel
L	W213962	1	Center Back Panel



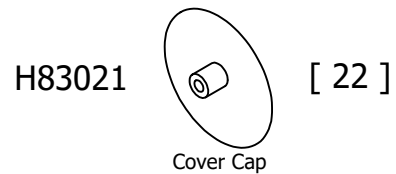
WC31131			
LABEL	NUMBER	QTY	DESCRIPTION
A	W213966	1	Top Shelf
B	W213967	1	Left Side Panel
C	W213968	1	Right Side Panel
D	W213969	1	Middle Shelf
E	W213970	1	Bottom Shelf
F	W213971	1	Support Rail
G	W213972	2	Divider
H	W213973	1	Left Partition
I	W213974	1	Right Partition
J	W213975	1	Back Panel
K	S221786	1	Door
L	W213976	1	Center Back Panel



WC31231			
LABEL	NUMBER	QTY	DESCRIPTION
A	W213223	1	Top Shelf
B	W213224	1	Left Side Panel
C	W213225	1	Right Side Panel
D	W213226	1	Middle Shelf
E	W213227	1	Bottom Shelf
F	W213228	1	Support Rail
G	W213229	2	Divider
H	W213230	1	Left Partition
I	W213231	1	Right Partition
J	W213232	1	Back Panel
K	S221787	1	Door
L	W213234	1	Center Back Panel

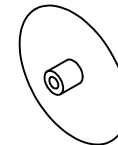


WC31331			
LABEL	NUMBER	QTY	DESCRIPTION
A	W213980	1	Top Shelf
B	W213981	1	Left Side Panel
C	W213982	1	Right Side Panel
D	W213983	1	Middle Shelf
E	W213984	1	Bottom Shelf
F	W213985	1	Support Rail
G	W213986	2	Divider
H	W213987	1	Left Partition
I	W213988	1	Right Partition
J	W213989	1	Back Panel
K	S221788	1	Door
L	W213990	1	Center Back Panel



WC31431			
LABEL	NUMBER	QTY	DESCRIPTION
A	W210193	1	Top Shelf
B	W210194	1	Left Side Panel
C	W210195	1	Right Side Panel
D	W210196	1	Middle Shelf
E	W210197	1	Bottom Shelf
F	W210198	1	Support Rail
G	W210199	2	Divider
H	W210200	1	Left Partition
I	W210201	1	Right Partition
J	W210202	1	Back Panel
K	S221789	1	Door
L	W213221	1	Center Back Panel

H184321



Cover Cap

[22]

WC31531			
LABEL	NUMBER	QTY	DESCRIPTION
A	W213994	1	Top Shelf
B	W213995	1	Left Side Panel
C	W213996	1	Right Side Panel
D	W213997	1	Middle Shelf
E	W213998	1	Bottom Shelf
F	W213999	1	Support Rail
G	W214000	2	Divider
H	W214001	1	Left Partition
I	W214002	1	Right Partition
J	W214003	1	Back Panel
K	S221790	1	Door
L	W214004	1	Center Back Panel

H77823



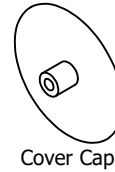
Cover Cap

[22]

Have an assembly question or need a replacement part? Just call
1-800-950-4782, we are here to help.

WC31731			
LABEL	NUMBER	QTY	DESCRIPTION
A	W213235	1	Top Shelf
B	W213236	1	Left Side Panel
C	W213237	1	Right Side Panel
D	W213238	1	Middle Shelf
E	W213239	1	Bottom Shelf
F	W213240	1	Support Rail
G	W213241	2	Divider
H	W213242	1	Left Partition
I	W213243	1	Right Partition
J	W213244	1	Back Panel
K	S221791	1	Door
L	W213246	1	Center Back Panel

H92521

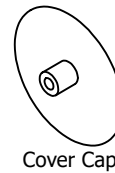


[22]

Cover Cap

WC31831			
LABEL	NUMBER	QTY	DESCRIPTION
A	W210206	1	Top Shelf
B	W210207	1	Left Side Panel
C	W210208	1	Right Side Panel
D	W210209	1	Middle Shelf
E	W210210	1	Bottom Shelf
F	W210211	1	Support Rail
G	W210212	2	Divider
H	W210213	1	Left Partition
I	W210214	1	Right Partition
J	W210215	1	Back Panel
K	S221792	1	Door
L	W213222	1	Center Back Panel

H73621



[22]

Cover Cap

WC31931			
LABEL	NUMBER	QTY	DESCRIPTION
A	W213247	1	Top Shelf
B	W213248	1	Left Side Panel
C	W213249	1	Right Side Panel
D	W213250	1	Middle Shelf
E	W213251	1	Bottom Shelf
F	W213252	1	Support Rail
G	W213253	2	Divider
H	W213254	1	Left Partition
I	W213255	1	Right Partition
J	W213256	1	Back Panel
K	S221793	1	Door
L	W213258	1	Center Back Panel

