

Ecostat Classic
Thermostatic Trim with Volume Control and Diverter, Round
 Finishes : **brushed nickel** Part no. : **15753821**



Description

Features

- Volume control and diverter for 2 outlets
- Flow: 7.0 GPM (26.5 L/Min)
- Thermostatic cartridge, Shut-off/ diverter valve
- Anti-scald 100° safety stop

Item details

List Price \$ 790.00

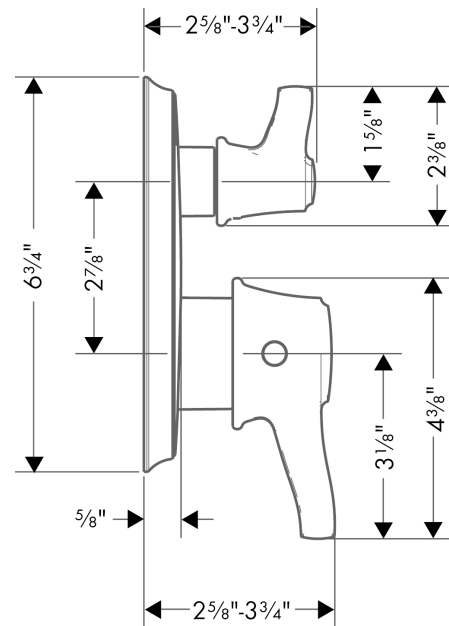
Compliance



Product image



Scale drawing

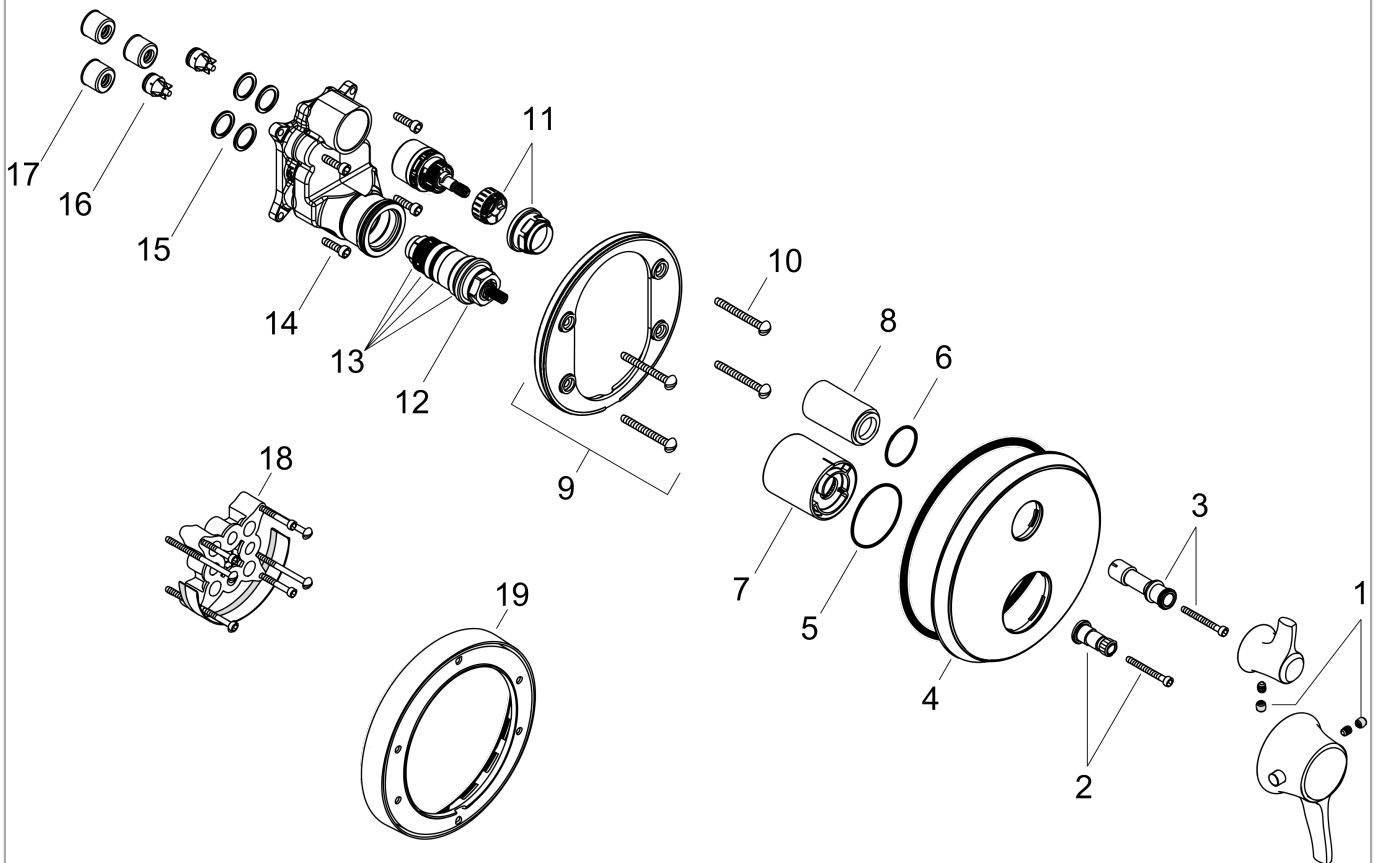


Ecostat Classic
Thermostatic Trim with Volume Control and Diverter, Round
 Finishes : **brushed nickel** Part no. : **15753821**



Exploded drawing

Year of production: >12/10



Ecostat Classic
Thermostatic Trim with Volume Control and Diverter, Round
 Finishes : **brushed nickel** Part no. : **15753821**



Spare parts list

Year of production: >12/10

| Pos. | Description | Part no. | Price | PU |
|------|--------------------------------|----------|-------|----|
| 1 | screw cover | 95181000 | - | 1 |
| 2 | adapter for handle | 96435000 | - | 1 |
| 3 | adapter for handle | 88772000 | - | 1 |
| 4 | escutcheon | 95556821 | - | 1 |
| 5 | O-Ring 48x3 | 95508000 | - | 1 |
| 6 | O-ring 29x3 | 98371000 | - | 1 |
| 7 | sleeve | 95550820 | - | 1 |
| 8 | sleeve | 95253820 | - | 1 |
| 9 | holder for escutcheon | 98793000 | - | 1 |
| 10 | set of fixing screws | 96454000 | - | 1 |
| 11 | shut off unit with selector | 98283000 | - | 1 |
| 12 | thermostat cartridge | 94282000 | - | 1 |
| 13 | sealing set | 95037000 | - | 1 |
| 14 | set of screws | 96525000 | - | 1 |
| 15 | O-ring 16x2 | 98133000 | - | 1 |
| 16 | set of non return valves DW 15 | 94074000 | - | 1 |
| 17 | noise reduction | 94073000 | - | 1 |
| 18 | extension 25 mm | 13595000 | - | 1 |
| 19 | extension 22 mm (Ø 170 mm) | 13596820 | - | 1 |
| a | non return valve with filter | 92499000 | - | 1 |