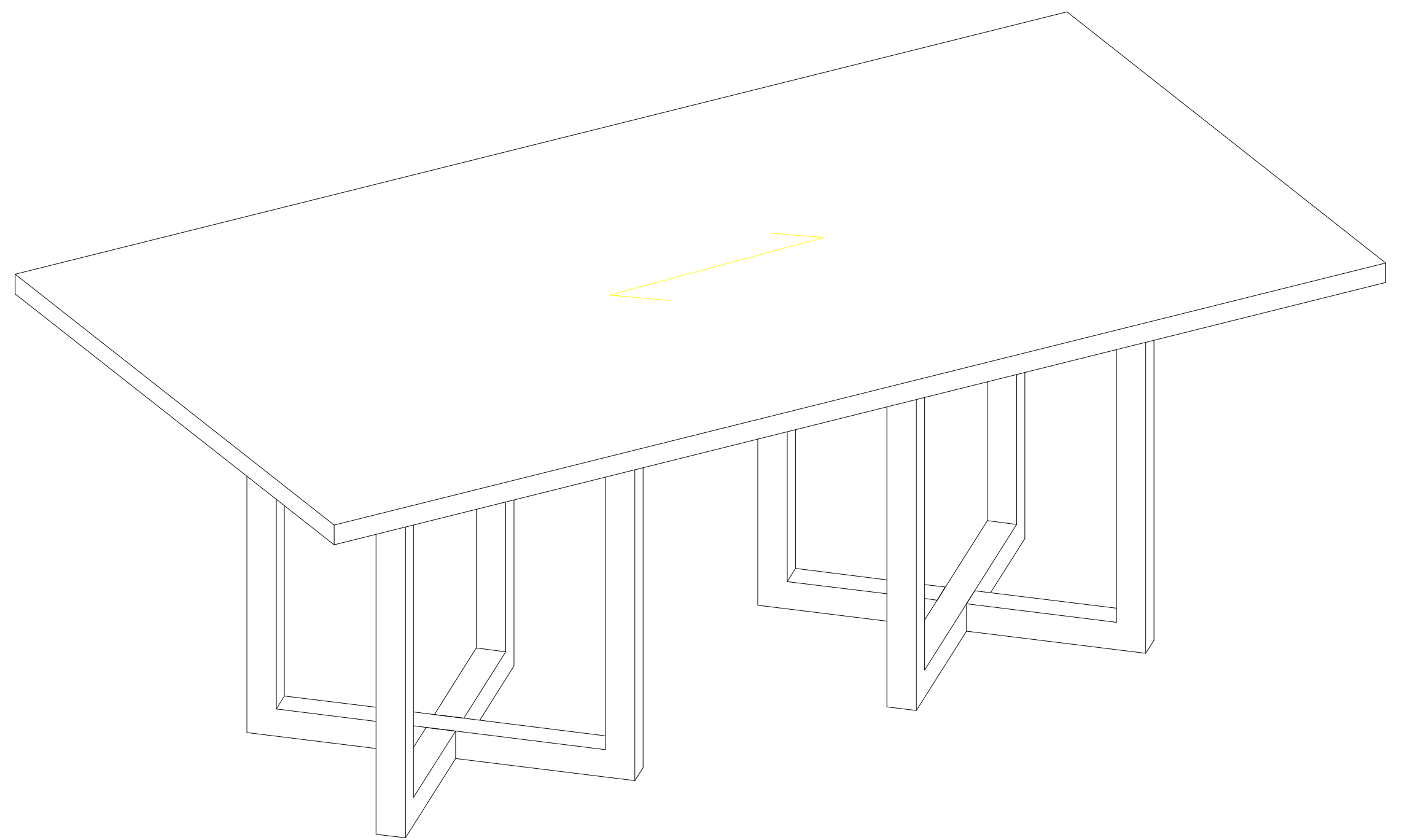
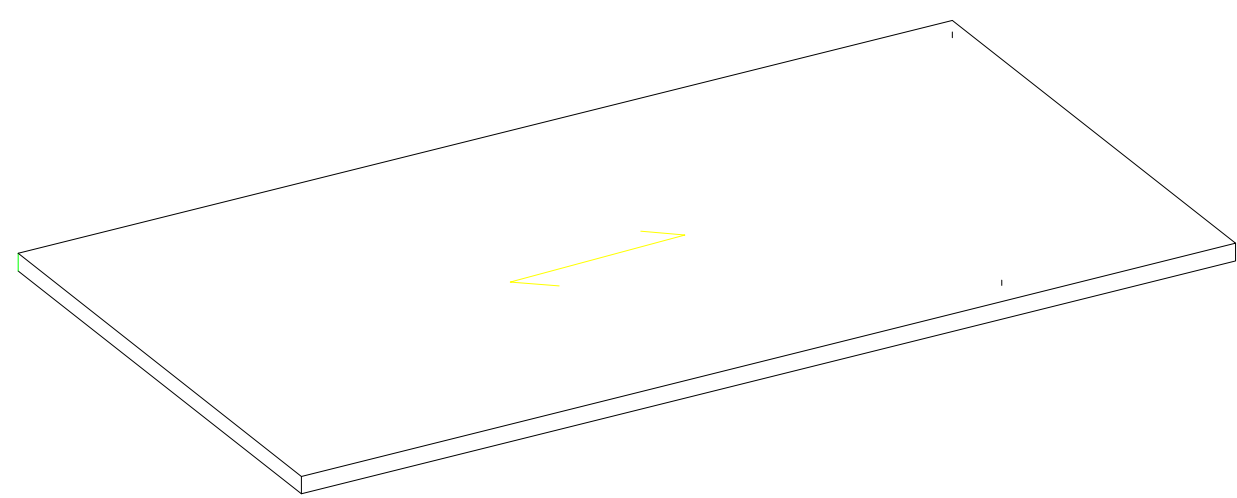


AMALFI RECTANGULAR WOOD TABLE

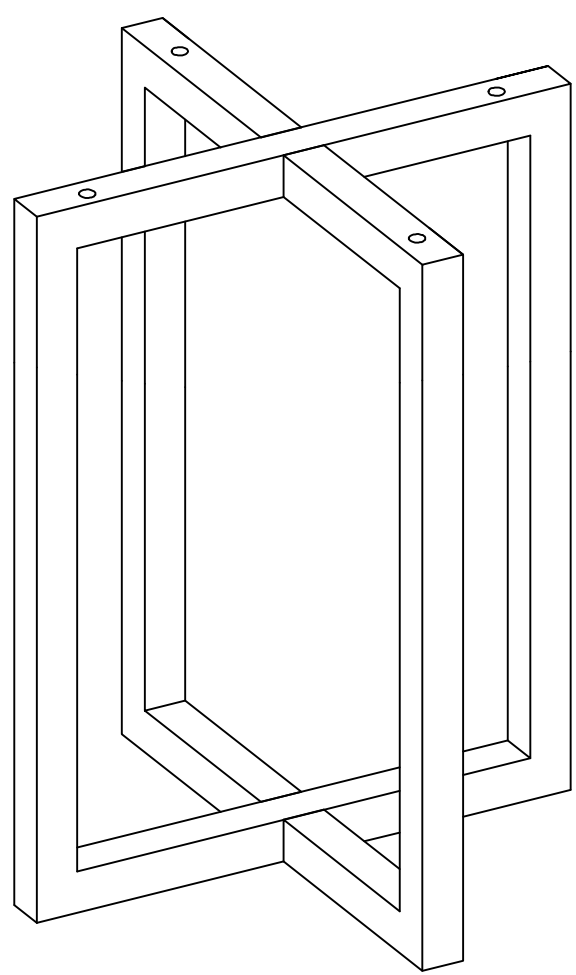
ASSEMBLY INSTRUCTIONS



BOX # 1
A. TABLE TOP 1PC



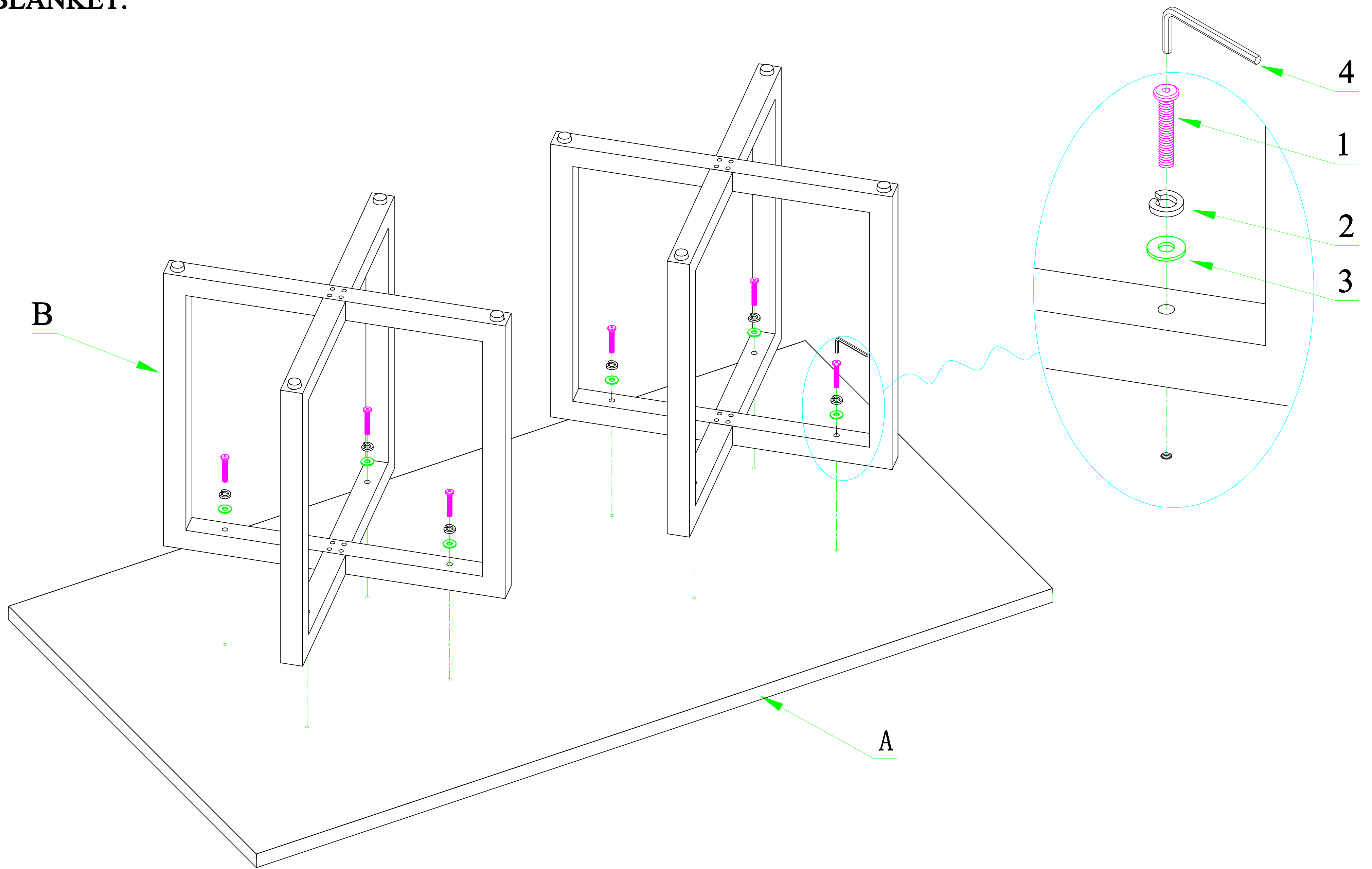
BOX # 2
B. BASE 2PCS



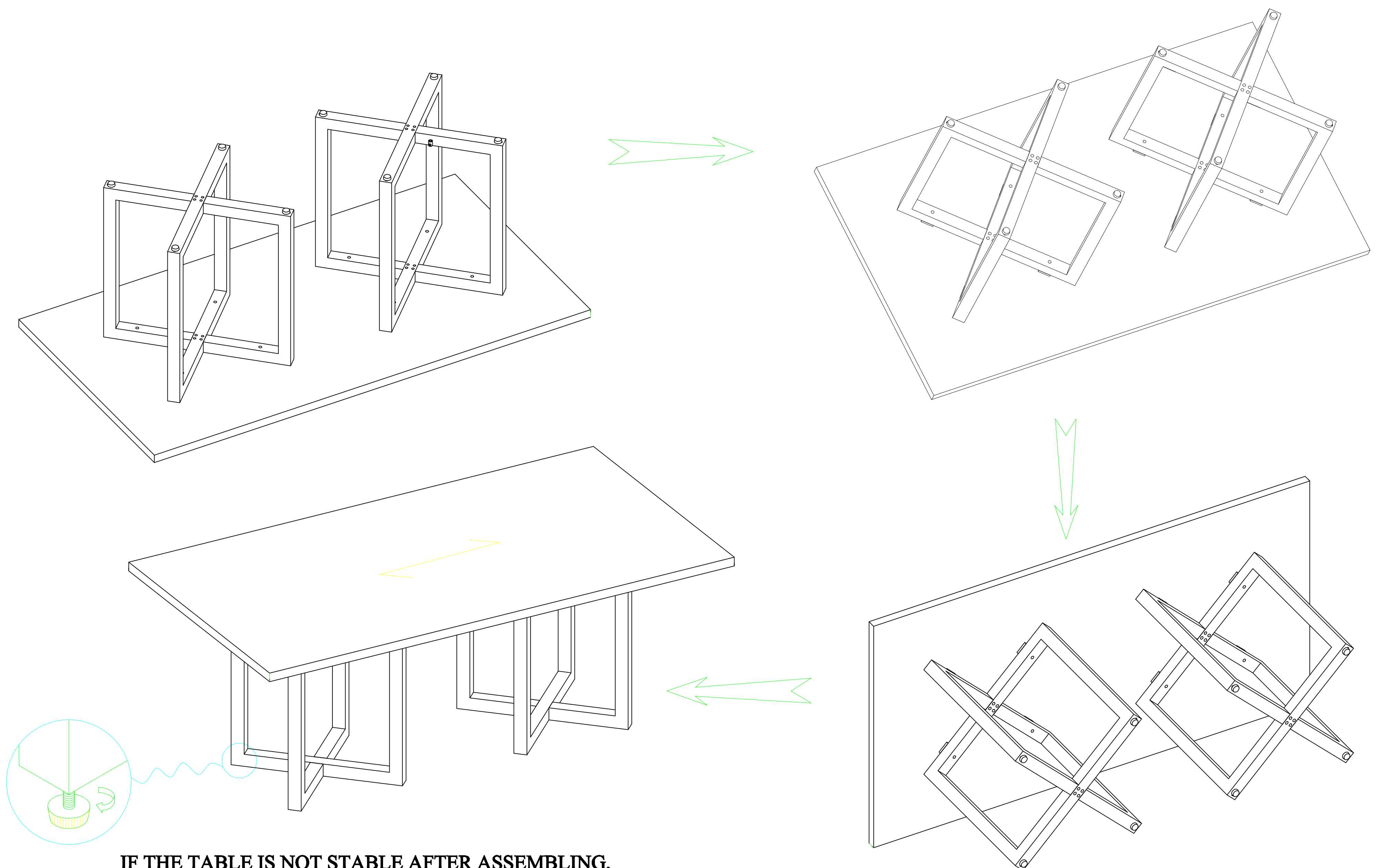
HARDWARE PACKED IN BOX #1

| | | | | | | | | | | | |
|----------|-----------------------|----------|----------|--------------------------|----------|----------|------------------------|----------|----------|----------------------|----------|
| 1 | ALLEN BOLT (M8X75) | 8 PCS | 2 | SPRING WASHER (M8) | 8 PCS | 3 | FLAT WASHER (M8) | 8 PCS | 4 | ALLEN KEY (M5) | 01 PC |
| | | | | | | | | | | | |

STEP 1: ON A FLAT, LEVEL AREA, LAY THE TABLE TOP (A) UPSIDE DOWN ON A CLEAN TOWEL OR BLANKET.



STEP 2: WITH THE HELP OF A SECOND PERSON, TURN THE ASSEMBLED TABLE RIGHTSIDE UP.



IF THE TABLE IS NOT STABLE AFTER ASSEMBLING, PLEASE ADJUST THE LEVELERS ON THE UNDERSIDE OF THE LEGS TO REDUCE WOBBLE.