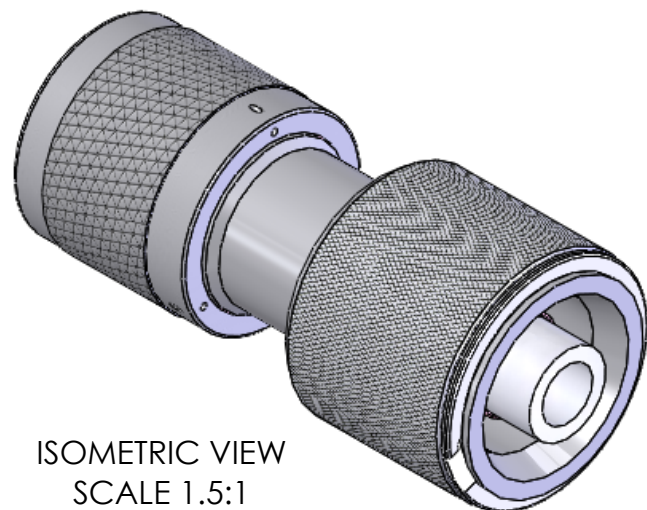
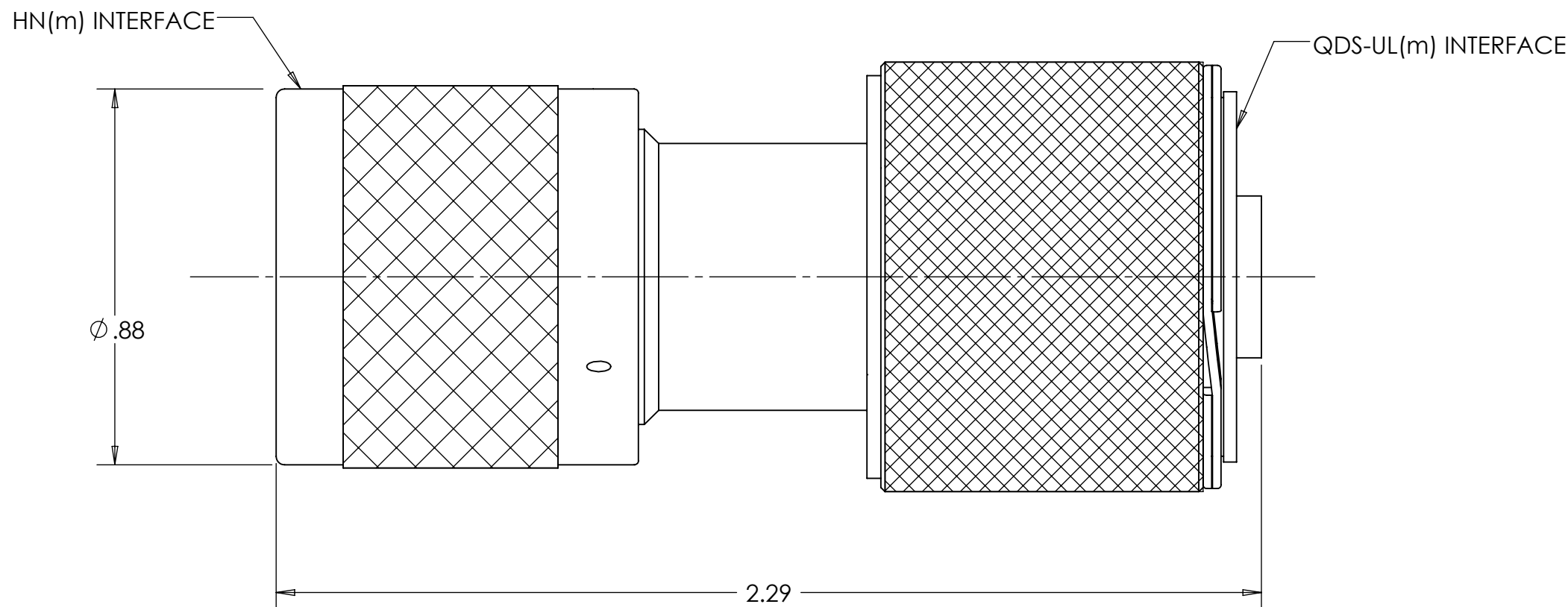


This document, including the design, configuration and mechanical features revealed herein are the sole, confidential and proprietary property of TRU Corporation. Reproduction or use thereof, in whole or part, is prohibited without the prior written consent of TRU Corporation.

REV.	DESCRIPTION	DATE	APPROVED
-	ORIGINAL ISSUE	10/11/11	TRC



ISOMETRIC VIEW
SCALE 1.5:1




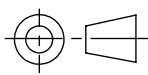
ENGINEERING DATA:

MECHANICAL:
INTERFACE: HN(m) PER MIL-STD-348A, FIG. 317.1
QDS-UL(m) PER TRU SPEC

MATERIAL:
INSULATORS: TEFLON
GASKET: SILICONE RUBBER
CONTACT: BERYLLIUM COPPER
OTHER METAL PARTS: BRASS

FINISH:
CONTACT: SILVER PLATED
OTHER METAL PARTS: NICKEL PLATED

NOTES:
1. UNLESS OTHERWISE SPECIFIED; ALL DIMENSIONS ARE REFERENCE ONLY.
2. PRODUCT COMPLIES WITH ROHS DIRECTIVE 2002/95/EC

MATERIAL	DO NOT SCALE DRAWING	DRAWN TRC	DATE 09/30/11	 TRU Corporation 245 Lynnfield St, Peabody, MA 01960 EXPERIENCE. TRU INNOVATION.
	UNLESS OTHERWISE SPECIFIED: DIMENSIONS ARE IN INCHES	ENG APPR. TM	DATE 10/07/11	
COMMENTS:	TOLERANCES: FRACTIONS: ±1/64 .XX : ±.01 .XXX: ±.005 ANGLES: ±1/2° MACHINED SURFACES: 63/√	MFG APPR.	DATE	TITLE: CONNECTOR, COAXIAL, RF HN(m) to QDS-UL(m) ADAPTER, STRAIGHT
		OTHER APPR.	DATE	
surface area: sq inch	weight: lbs	THIRD ANGLE PROJECTION		SIZE B
				DWG. NO. TRU-11797
		CAGE CODE: 92180		SCALE: 3:1 SHEET 1 OF 1