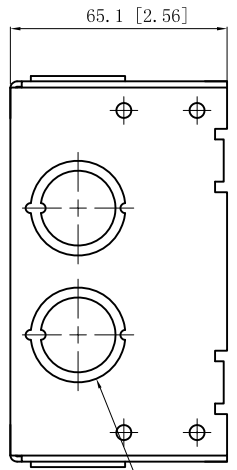
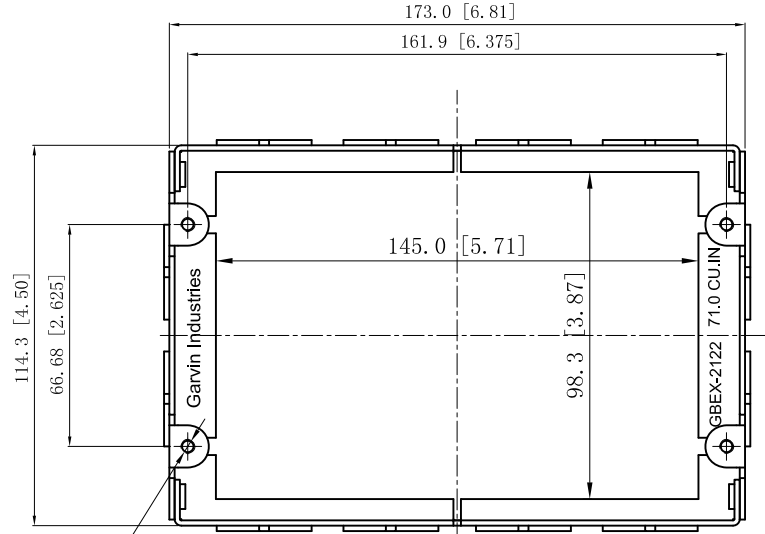


SIDES	BOTTOM
12 1/2"-3/4" MOON KNOCKOUTS	
4 PCS 8-32X1/2 Screws Installed	
Material:Steel-0.0625"-G60 Galvanized	

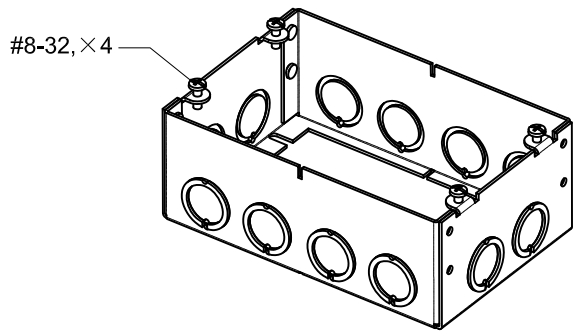
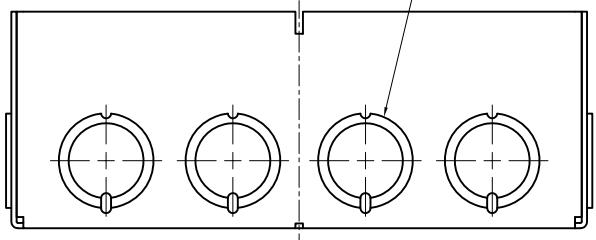


4 1/2"-3/4" KNOCKOUTS $\phi=22.50$ [$\phi=0.886$]
 $\phi=28.50$ [$\phi=1.122$] MIRROR



4-#8-32 UNC HOLE

8 1/2"-3/4" KNOCKOUTS $\phi=22.5$ [$\phi=0.89$]
 $\phi=28.5$ [$\phi=1.12$] MIRROR



#8-32, X4

DESCRIPTION
TRADE REFERENCE TERMS

This data sheet is for reference only .GARVIN INDUSTRIES reserves the right to make changes to the design without prior notice.

STANDARD PACKING	GARVIN INDUSTRIES		
	TITLE 2-1/2" DEEP MULTI-GANG BOXES		
25 PCS	SIZE A4	DWG NO. GBEC-2122	REV A
	DATA SHEET		