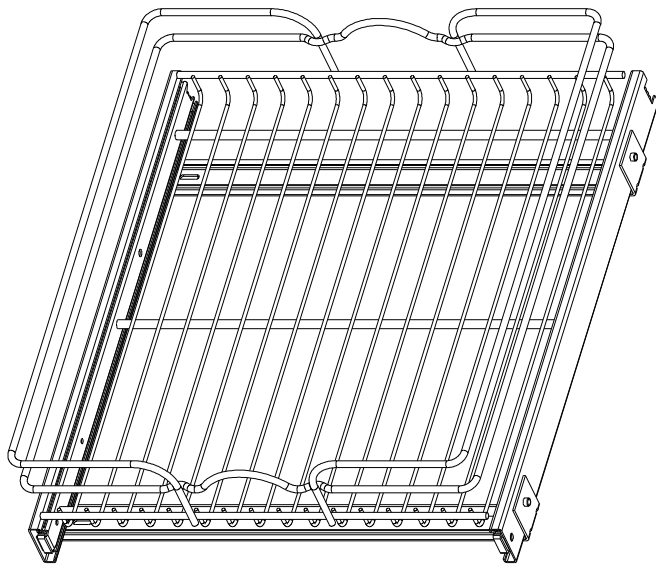


This drawing is the property of Rev-A-Shelf (RAS) and is disclosed in confidence to the extent its subject matter is original to RAS. Any vendor receiving this drawing from RAS shall hold and use this drawing for the sole benefit of RAS and shall not disclose it to, or use or reproduce it for any third party, or perform any act adverse to the interest of RAS with respect to this drawing without the express written permission of RAS. Vendors shall not revise any physical, dimensional or performance characteristic unless authorized by Rev-A-Shelf Engineering.

REV.	DATE	BY	DESCRIPTION OF CHANGE

INCH [MM]	AMERICAN PROJECTION	BY	DATE	REV-A-SHELF, Inc.
		DRAWN	KRR 5-28-19	
TOLERANCES		MATERIAL	DRAWING NO.	SCALE
MAT. DEC. (WOOD) .XX ±.03 [.8mm] (OTHER) .XX ±.02 [.5mm] (ALL) .XXX ±.005 [0.13 mm] FRACTIONS ±1/32 [.8 mm]		FINISH	5WB1-1820CR-1	0.250
ANGLES ±1/2°		PART NO.	5WB1-1820CR-1	SHEET 1 OF 2

CUSTOMER DRAWING



PART DIMENSIONS		
	MIN	MAX
WIDTH	17.48	17.73
DEPTH	19.69	
HEIGHT	5.55	
CONTAINER CAPACITY		
CONTAINER UOM		

MIN CABINET OPENING				
	FACE FRAME	FRAMELESS	INSET FACE FRAME	INSET FRAMELESS
WIDTH	17.50	17.75	17.50	17.75
DEPTH	19.75	19.75	20.50	20.50
HEIGHT	6.00	6.00	6.00	6.00

SLIDE SPECIFICATIONS				
SLIDE MANUFACTURER		RELEASE PART NUMBER		
SLIDE PART NUMBER		SLIDE TYPE	BALL BEARING	
SLIDE CLOSING	NORMAL	SLIDE EXTENSION	FULL	MAX WEIGHT RATING
SLIDE MOUNTING	BOTTOM	SLIDE LENGTH	19.69 [500MM]	
		SLIDE FINISH	ZINC	100 LB

CUSTOMER DRAWING

This drawing is the property of Rev-A-Shelf (RAS) and is disclosed in confidence to the extent its subject matter is original to RAS. Any vendor receiving this drawing from RAS shall hold and use this drawing for the sole benefit of RAS and shall not disclose it to, or use or reproduce it for any third party, or perform any act adverse to the interest of RAS with respect to this drawing without the express written permission of RAS. Vendors shall not revise any physical, dimensional or performance characteristic unless authorized by Rev-A-Shelf Engineering.

REV.	DATE	BY	DESCRIPTION OF CHANGE

INCH [MM]	AMERICAN PROJECTION	BY	DATE	REV-A-SHELF, Inc.
		DRAWN	KRR	
MATERIAL				SIZE
FINISH				DRAWING NO.
MATERIAL				PART NO.
FINISH				SHEET
MATERIAL				SCALE
FINISH				OF
MATERIAL				2

TOLERANCES
 (WOOD) .XX ±.03 [.8mm]
 (OTHER) .XX ±.02 [.5mm]
 (ALL) .XX ±.005 [0.13 mm]
 FRACTIONS ±1/32 [.8 mm]

ANGLES
 ±1/2°

SIZE B 18" SINGLE WIRE BASKET
 DRAWING NO. 5WB1-1820CR-1
 PART NO. 5WB1-1820CR-1
 SCALE 0.250
 SHEET 2 OF 2