




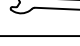








ITEM: 6015-75217-80 Rectangle Dining Table w/2-18in leaves
6015-75217-89 Rectangle Dining Table w/2-18in leaves

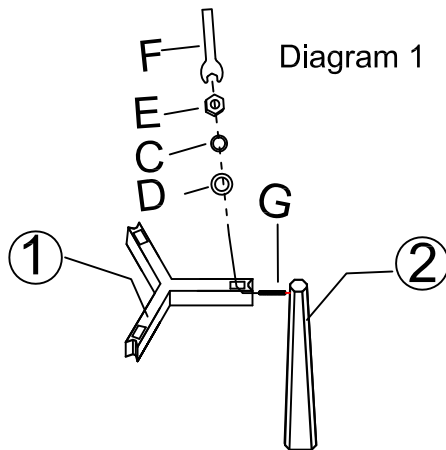
Thank you for purchasing this quality product. Be sure to unpack carefully looking for small parts which may have come loose during shipment.
Read all instruction and study the drawing carefully before starting the assembly process.

HARDWARE PACK

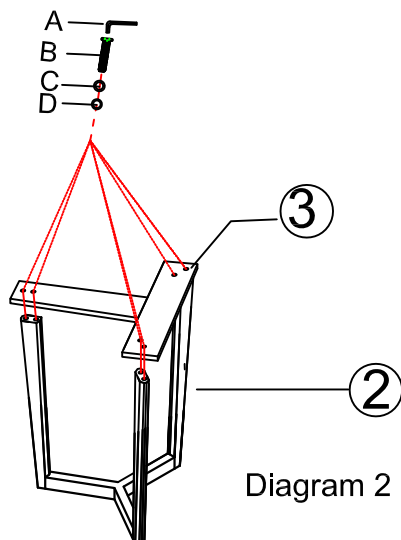
NO.	DRAWING	DESCRIPTION	SIZE	Q'TY
A		Allen Wrench	73*29*5mm	1PC
B		Bolt	ø5/16**35mm	24PCS
C		Lock Washer	Ø5/16"	30PCS
D		Flat Washer	Ø5/16"	30PCS
E		Nut	Ø5/16"	6PCS
F		Open Wrench	14mm	1PC
G		Threaded Rod	Ø5/16*100mm	6PCS

PART LIST

NO.	DRAWING	DESCRIPTION	Q'TY
①		Stretcher	2PCS
②		Leg	6PCS
③		Mounting Bridge	2PCS
④		Top	1PC
⑤		Leaf	2PCS



Step 1: Attach legs (2) to stretcher (1).



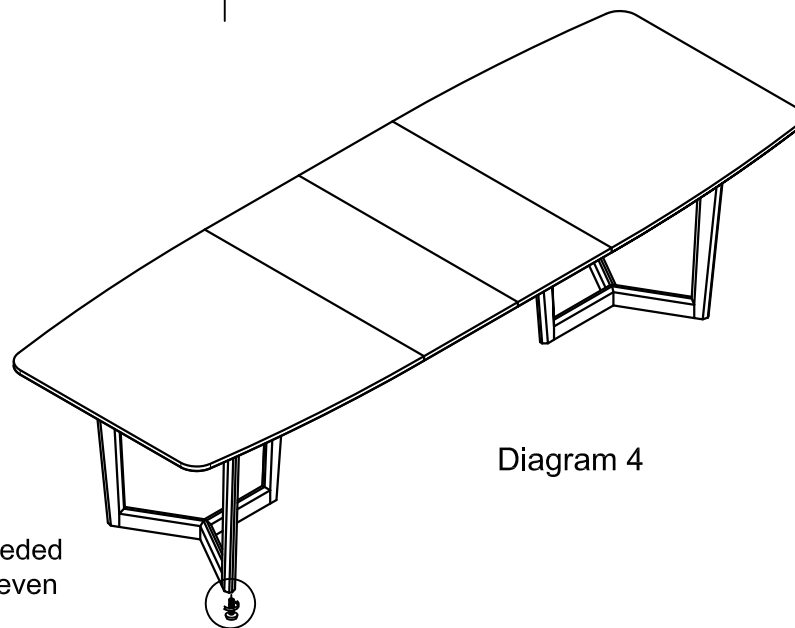
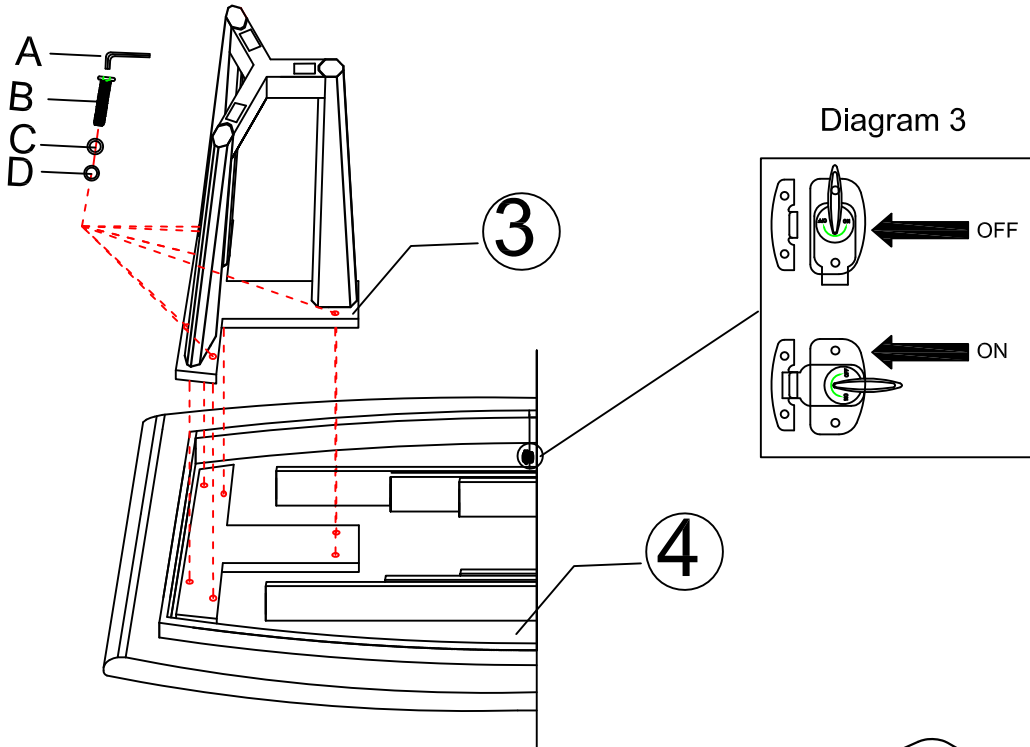
Step 2: Attach mounting bridge (3) on legs (2).

ASSEMBLY INSTRUCTION

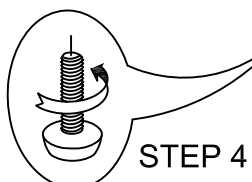
ITEM: 6015-75217-80 Rectangle Dining Table w/2-18in leaves
6015-75217-89 Rectangle Dining Table w/2-18in leaves

Thank you for purchasing this quality product. Be sure to unpack carefully looking for small parts which may have come loose during shipment.
Read all instruction and study the drawing carefully before starting the assembly process.

Step 3: Assemble base to top (4).



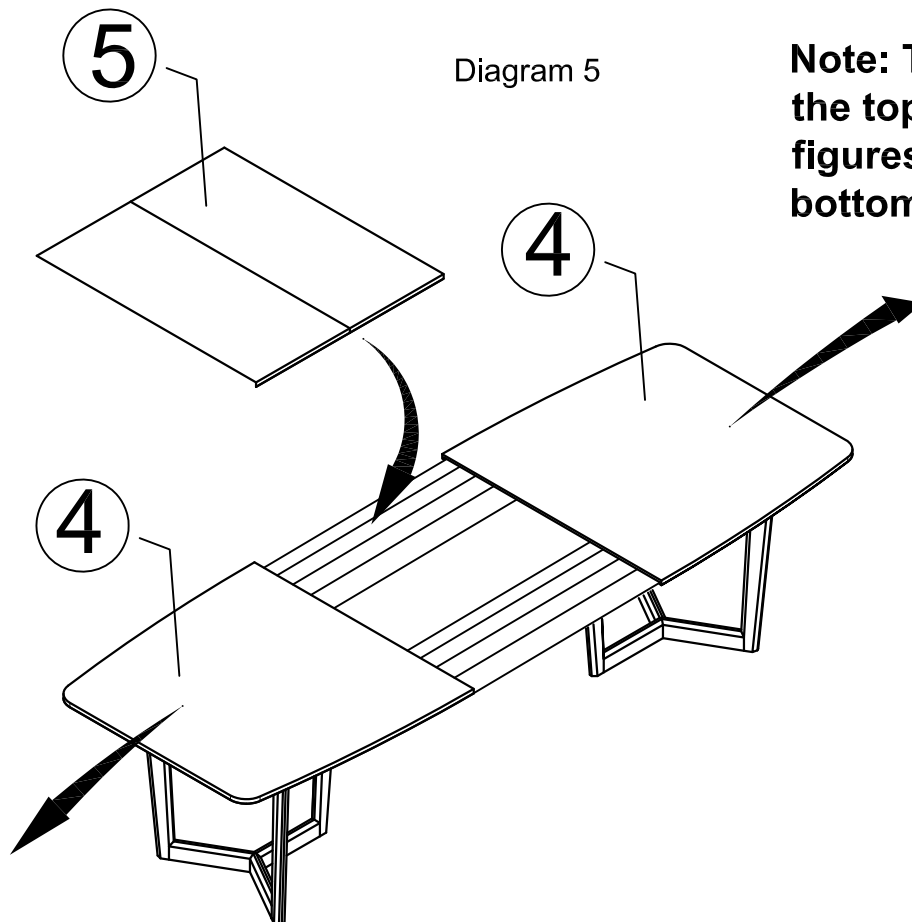
Adjust Leveler if needed
to level table on uneven
floor



ITEM: 6015-75217-80 Rectangle Dining Table w/2-18in leaves
6015-75217-89 Rectangle Dining Table w/2-18in leaves

Thank you for purchasing this quality product. Be sure to unpack carefully looking for small parts which may have come loose during shipment.

Read all instruction and study the drawing carefully before starting the assembly process.



Note: Table leaves between the tops are follow the figures in sequence on bottom of table.

Instruction for table leaves:

1. There are latches at the bottom of table top, turn off the latches as shown in Diagram 3 above.
2. Pull out table top as the arrow direction shown in Diagram 5.
3. Place table leaves (5) between table tops and push table tops together.
4. Turn on latches. (See Diagram 3)
5. Take opposite steps to remove table leaves.