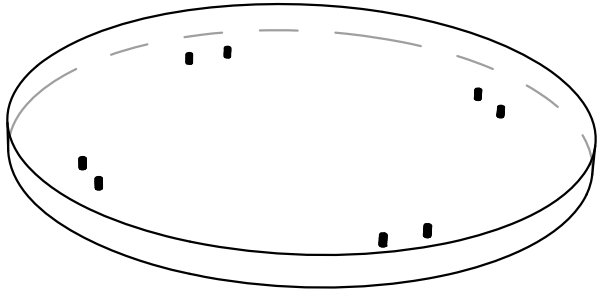


Assembly Instructions

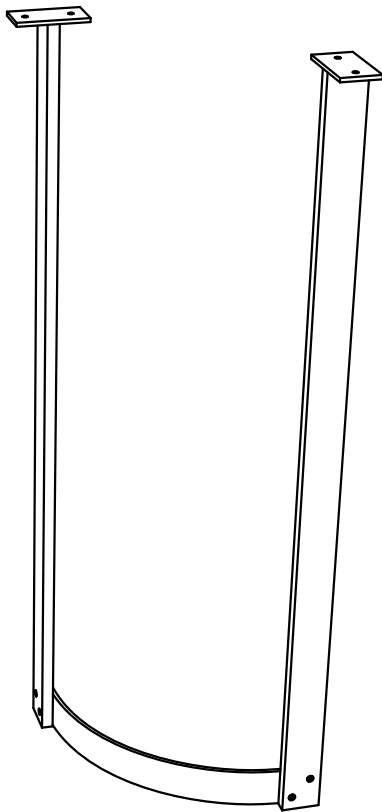
Components List



A (1)



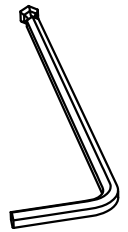
B (2)



C (2)



D (8+2 extra)



F (1)

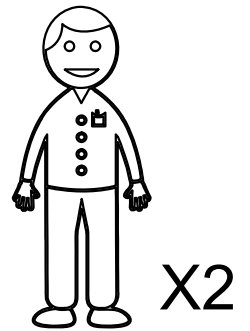
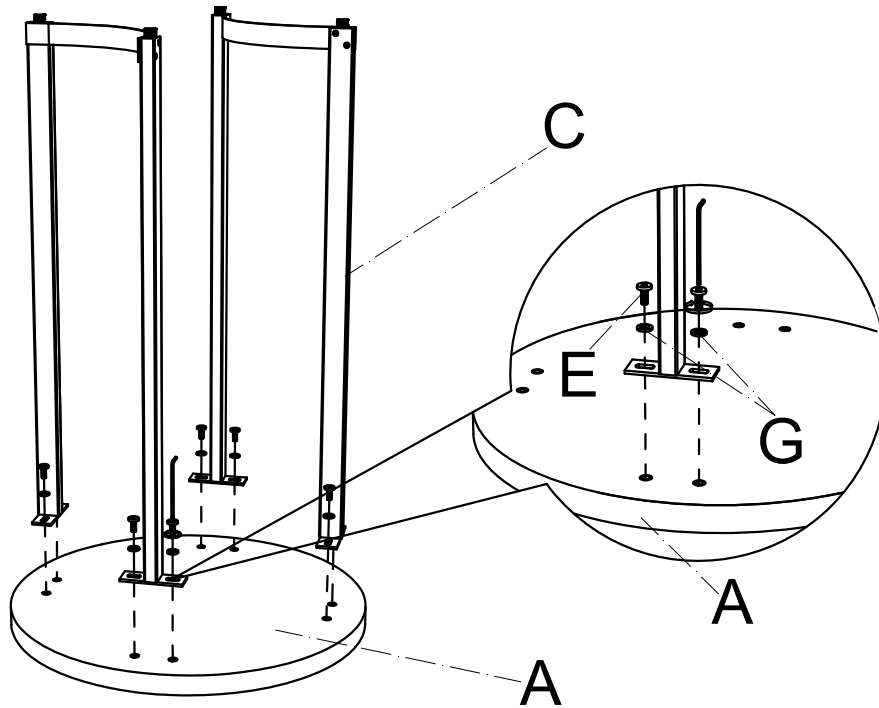


E (8+2 extra)



G (8+2 extra)

Step 1: Make sure all parts are properly aligned. Do not fully tighten all screws; first assemble all pieces (Cx2 and Ax1) & align the holes in metal base with holes in wood top and partially tighten the (E) screws to approx. 50%.



Note: Half tighten screws allows the person assembling the product to adjust and align the parts perfectly

Step 2: Align the holes in metal base with holes in metal arch (C and B) and partially tighten the (D) screws to approx. 50%.

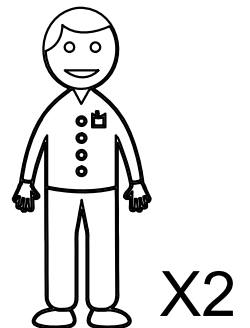
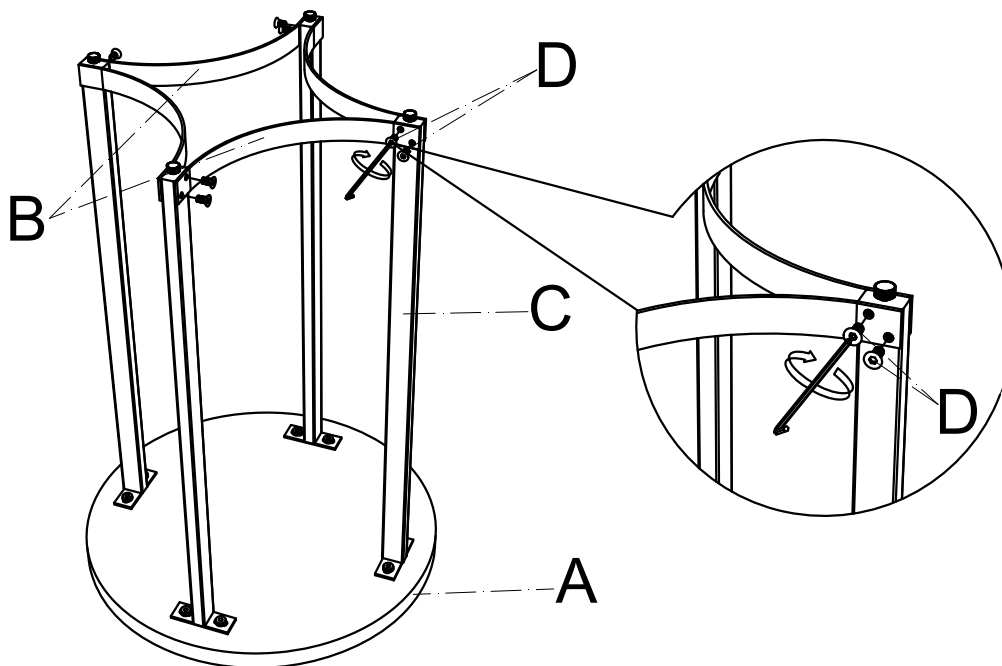
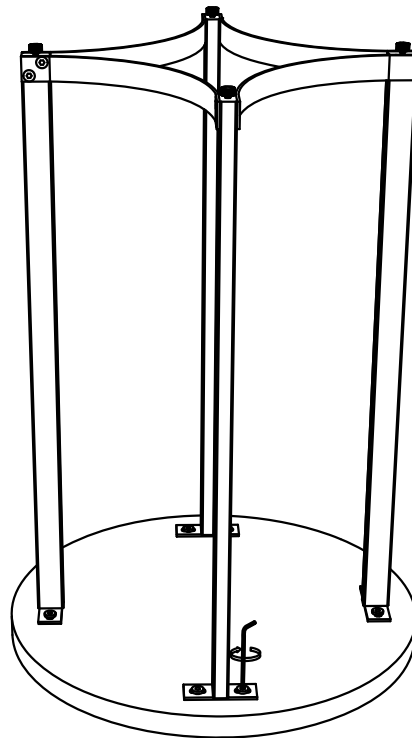
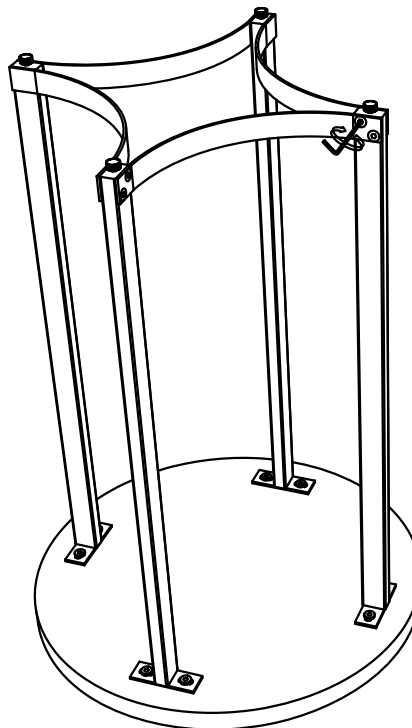


Table is ready with all parts aligned and partially screwed together.

Step 3: Now (C and A) fully tighten screws to 100%



Step 4: C and B, fully tighten the screws to 100%



Step 5 – Your Table is ready for use.

