

XVR302-16Q3



Key Features

- Support H.265/H.264 video formats
- Support audio over coaxial cable(only for TVI cameras)
- Support TVI, AHD, CVI, CVBS, IP cameras with adaptive access
- 16-channel BNC input
- Support 1-ch CVBS output, 1-ch VGA output, 1-ch HDMI output at up to 4K(3840 x 2160)
- HDMI and VGA simultaneous output
- Long transmission distance over coaxial cable
- Support mainstream cameras of ONVIF and RTSP protocols

Specifications

Model	XVR302-16Q3
Video/Audio Input	
Analog Video Input	16-ch, BNC
IP Video Input	8-ch(only IP up to 24ch), each channel up to 8MP
Supported Analog Camera Types	Support AHD input: 8MP@15fps 5MP@20fps 4MP@30fps 1080P@30fps 720P@60fps Support TVI input: 8MP@15fps 5MP@20fps 4MP@30fps 1080P@30fps 720P@60fps Support CVI input: 8MP@15fps

	5MP@25fps 4MP@30fps 1080P@30fps 720P@30fps Support CVBS input	
Audio Input	1-ch, RCA	
Audio Compression	G.711U	
Video/Audio Output		
CVBS Output	1-ch, BNC	
VGA Output	1920x1080p/60Hz, 1920x1080p/50Hz, 1600x1200/60Hz, 1280x1024/60Hz, 1280x720/60Hz, 1024x768/60Hz	
HDMI Output	4K(3840X2160)/30Hz, 1920x1080p/60Hz, 1920x1080p/50Hz, 1600x1200/60Hz, 1280x1024/60Hz, 1280x720/60Hz, 1024x768/60Hz	
Audio Output	1-ch, RCA	
Synchronous Playback	16	
Live view display	HDMI/VGA: 1/4/6/8/9/16/25	
Two-way Audio	1-ch, RCA	
Network		
Incoming Bandwidth	80Mbps (Up to 112Mbps after all analog channel conversion)	
Outgoing Bandwidth	160Mbps	
Remote Users	128	
Protocols	TCP/IP, P2P, UPnP, NTP, DHCP, PPPoE, HTTP, HTTPS, DNS, DDNS, SMTP	
Browser	IE(IE10/11) for Windows Firefox (version 52.0 and above) for Windows Chrome(version 45 and above) for Windows Edge(version 79 and above) for Windows	
Encoding		
Recording Resolution	8MP Lite/5MP Lite/4MP Lite /1080P/720P/D1	
Recording Frame Rate	Main stream	Sub stream
	8MP Lite@8fps	D1@8fps
	5MP Lite@12fps	D1@12fps
	4MP Lite@15fps	D1@12fps
	1080P@15fps	D1@12fps
	720P@30fps	D1@12fps
Audio Sample Rate	8KHz,16 bit per channel	
Audio Bit Rate	64Kbps per channel	
Decoding		
Capability	Analog: 16 x 8MP Lite@8, 16x 5MP Lite@12, 16x 4MP Lite@15, 16 x 1080P@15, 16 x 720@30 IP: 24 x D1@30, 16 x 720P@30, 8 x 1080P@30	

Hard Disk

SATA	2 SATA interfaces
Capacity	Up to 8TB for each HDD (The maximum HDD capacity varies with environment temperature)

General Alarm

General Alarm	Motion detection
Alert Alarm	IP Conflict, Network Disconnected, Disk offline, Disk Abnormal, Illegal Access, Hard Disk Space Low, Hard Disk Full, Recording/Snapshot Abnormal

External Interface

Network Interface	1 RJ45 10M/100M/1000M self-adaptive Ethernet Interface
USB Interface	Rear panel: 1 x USB3.0, Front panel: 1xUSB2.0
Serial Interface	1 x RS485
Alarm In	4
Alarm Out	1

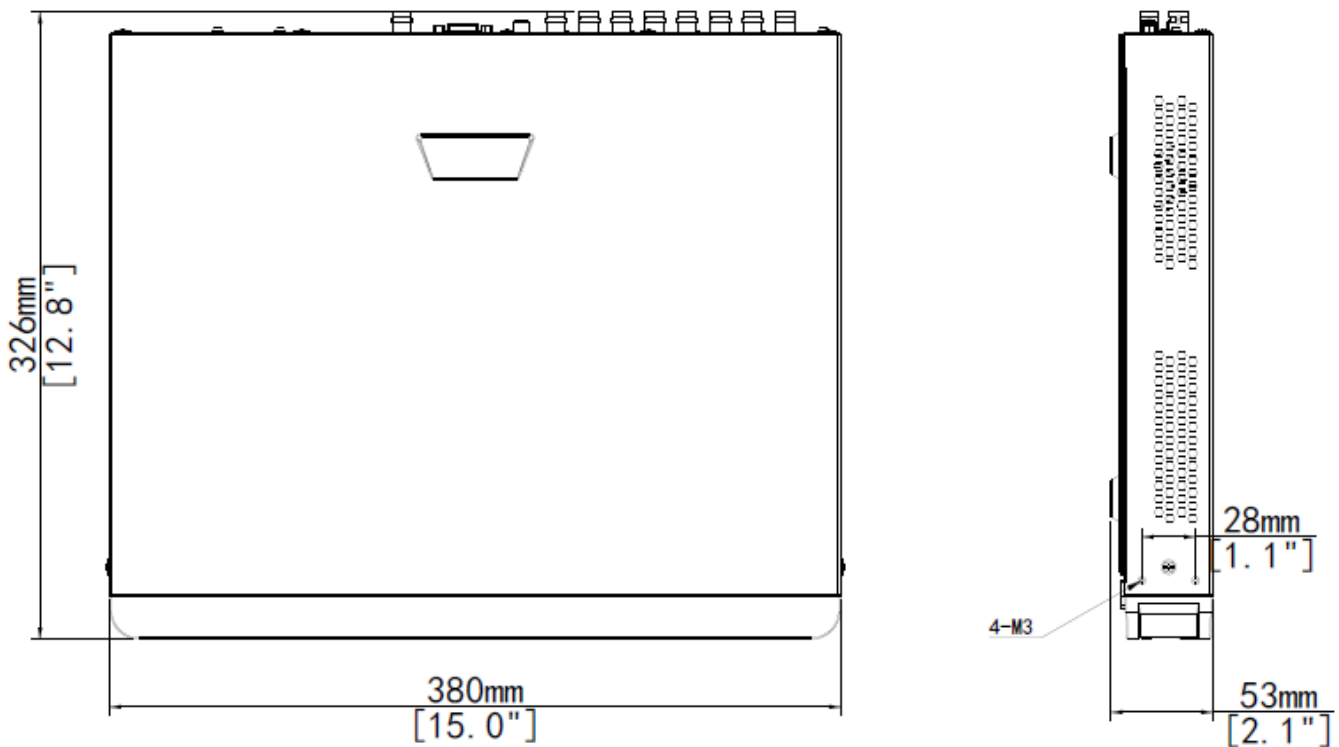
General

Power Supply	12V DC Power Consumption: ≤ 12 W(without HDD)
Working Environment	-10°C~+ 55°C (+14°F~+131°F), Humidity ≤ 90% RH (non-condensing)
Dimensions(W×D×H)	380mm ×326mm× 53mm (15.0" × 12.8"×2.1")
Weight (without HDD)	≤2.0 Kg (4.4lb)

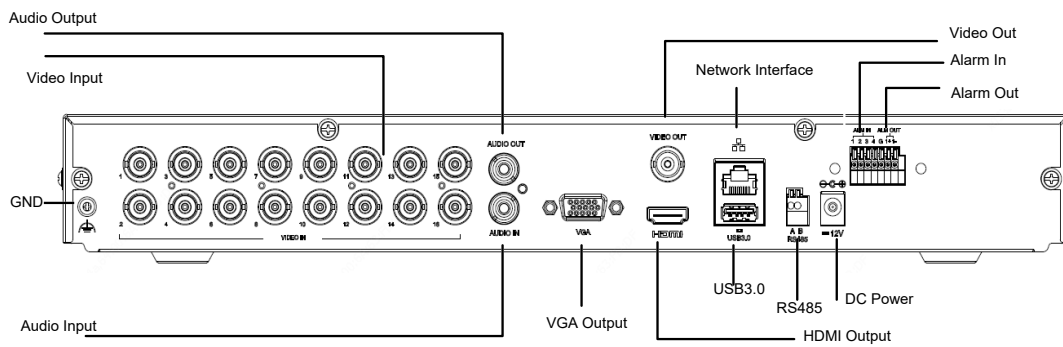
Certification

Certification	UL /CE /FCC /RoHS /WEEE
---------------	-------------------------

Dimensions



Rear Panel



Zhejiang Uniview Technologies Co., Ltd.

Building No.10, Wanlun Science Park, Jiangling Road 88, Binjiang District, Hangzhou, Zhejiang, China

Email: overseasbusiness@uniview.com; globalsupport@uniview.com

<http://www.uniview.com>

©2022 Zhejiang Uniview Technologies Co., Ltd. All rights reserved.

* Product specifications and availability are subject to change without notice.