

User Manual



DEALER: This manual MUST be given to the user of the product.

USER: BEFORE using this product, read this manual and save for future reference.

Yes, you can.

Half-Length Bed Rail Model No. G30

I General

I.1 Symbols

Signal words are used in this manual and apply to hazards or unsafe practices which could result in personal injury or property damage. See the information below for definitions of the signal words.



DANGER

Danger indicates an imminently hazardous situation which, if not avoided, will result in death or serious injury.



WARNING

Warning indicates a potentially hazardous situation which, if not avoided, could result in death or serious injury.



CAUTION

Caution indicates a potentially hazardous situation which, if not avoided, may result in property damage or minor injury or both.



Gives useful tips, recommendations and information for efficient, trouble-free use.



Foot Crush
Hazard
Symbol
(ISO 3864-1)




General Mandatory
Action Symbol
(ISO 70140 - M001)

I.2 Service Life

The expected service life of the G30 Half Length Bed Rail is 2 years from the date of purchase.

2 Safety

-  Check ALL parts for shipping damage. If shipping damage is noted, DO NOT use. Contact carrier/dealer for further instruction.

2.1 General Warnings



DANGER

Risk of Death, Injury or Damage

Bed accessories designed by other manufacturers have **NOT** been tested by Invacare. Use of **NON-Invacare** bed accessories may result in injury or death.

- Use **ONLY Invacare** rails, mattresses, and other accessories with Invacare bed products.
- The G30 bed rail is only for use with the G-series bed.
- The G30 bed rail is not for use with the 5143A bed extender.



DANGER

Risk of Death, Injury or Damage

Improper use of this product may cause injury or damage.

- If you are unable to understand the warnings, cautions or instructions, contact a healthcare professional, dealer or technical personnel before attempting to use this equipment.
- Do not use this product or any available optional equipment without first completely reading and understanding these instructions and any additional instructional material such as user manuals, service manuals or instruction sheets supplied with this product or optional equipment.

Proper patient assessment and monitoring, and proper maintenance and use of equipment is required to reduce the risk of entrapment. Variations in bed rail dimensions, and mattress thickness, size or density could increase the risk of entrapment

- Visit the FDA website at <http://www.fda.gov> to learn about the risks of entrapment. Review “A Guide to Bed Safety”, published by the Hospital Bed Safety Workgroup, located at www.invacare.com. Use the link located under each bed rail product entry to access this bed’s safety guide.
- For patients who are at risk of falling from the bed, Invacare recommends the use of full length bed rails, unless otherwise instructed by a medical professional.
- After any adjustments, repair or service and before use, make sure all attaching hardware is tightened securely.



DANGER

Risk of Death, Injury or Damage

Conditions such as restlessness, mental deterioration and dementia or seizure disorders (uncontrolled body movement), sleeping problems, and incontinence can significantly impact a patient's risk of entrapment.

Pediatric patients or patients with small body size may also have an increased risk of entrapment.

- Place the mattress deck in the flat position when left unattended.

ACCESSORIES WARNING

Invacare products are specifically designed and manufactured for use in conjunction with Invacare accessories. Accessories designed by other manufacturers have not been tested by Invacare and are not recommended for use with Invacare products.

3 Installing G30 Bed Rail on G5510 Bed

3.1 Attaching Crossbrace to Head Section



Do not completely tighten bolts.

1. Raise head and foot sections.
2. Lower bed to lowest height position.
3. To attach crossbrace to head end of bed.
 - A. Align middle hole of crossbrace with fourth hole from head end of bed.
 - B. Attach with bolt.
 - C. Repeat for opposite side of bed.

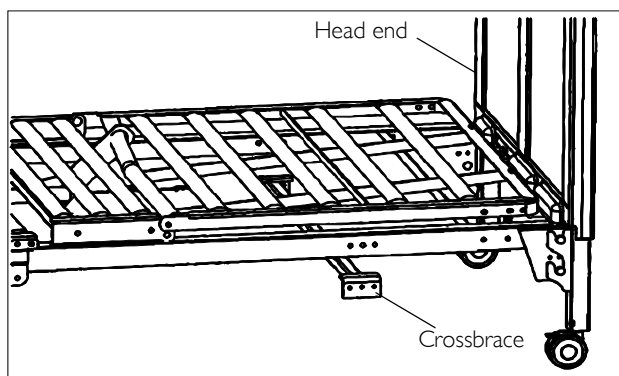
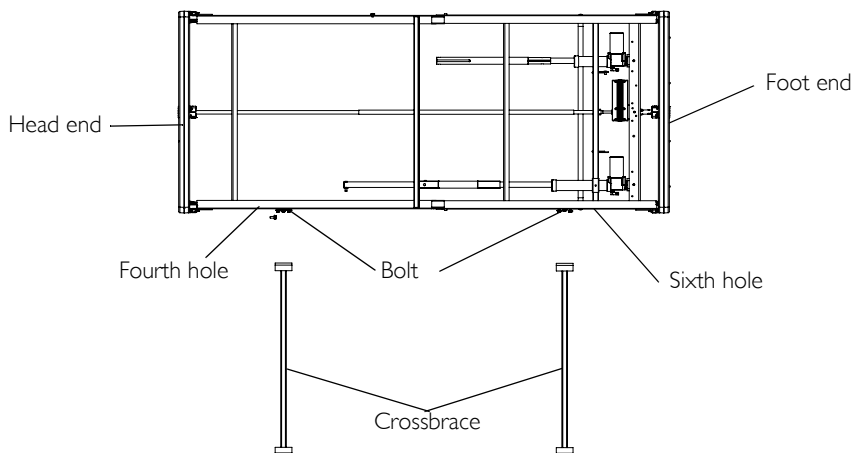


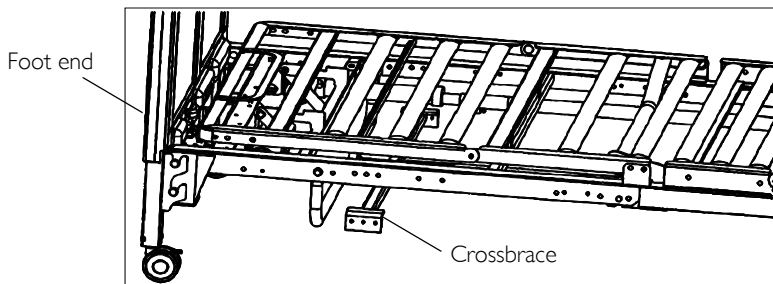
FIGURE 1 Attaching Crossbrace to Head Section

3.2 Attaching Crossbrace to Foot Section



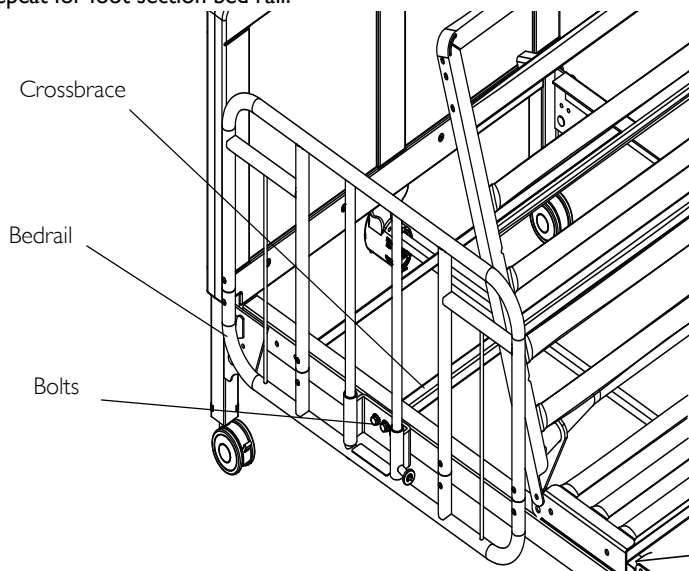
Do not completely tighten bolts.

1. Raise head and foot sections.
2. Lower bed to lowest height position.
3. Attach crossbrace to foot end of bed.
 - A. Align middle hole of crossbrace with sixth hole from foot end of bed.
 - B. Attach with bolt.
 - C. Repeat for opposite side of bed.



3.3 Attaching Bed Rails to Crossbrace

1. Attach rail to crossbrace using two head bolts.
2. Tighten all bolts securely.
3. Repeat for opposite side.
4. Repeat for foot section bed rail.



4 Usage

4.1 Using Bed Rails for G5510 Bed



WARNING

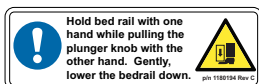
Risk of Injury or Damage

To avoid crush hazards from lowering bed rail to lowest level:

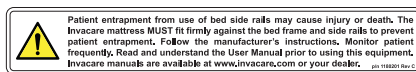
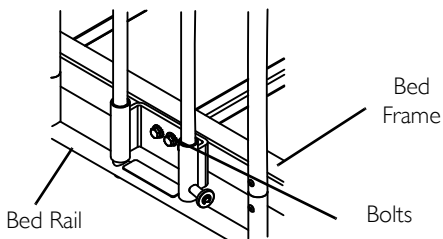
- DO NOT place any objects or let any individual between bed rail and floor.



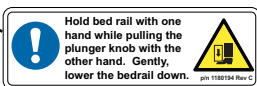
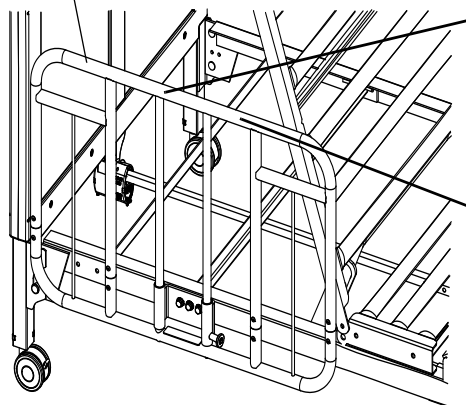
1. Ensure the bed rails are flush against the bed frame.
2. Perform one of the following:
 - Lowering the Bed Rail - While holding bed rail with one hand, pull spring-loaded knob with the other hand to lower bed rail.
 - Pull bed rail up until the bed rail locks into position.



p/n 1180194 Rev C



p/n 1180201 Rev C



p/n 1180194 Rev C

FIGURE 2 Using Bed Rails for G5510 Bed

5 Survey

1 Please indicate your primary involvement with the product (Choose one):

- Product User/Owner
- User Assistant
- Product Dealer
- Product Service Technician
- Health Care Provider
- Other (Please specify): _____

2 Please indicate which product manual you are evaluating: _____

3 Evaluate the content:

YES NO

After reading this document, do you have a better understanding of how to use the product? YES NO

Do you have a better understanding of any limitations on the use of this product? YES NO

Is there any irrelevant information? YES NO

Is the Table of Contents useful? YES NO

Does any information seem inaccurate/misleading? YES NO

Do you understand that misuse of the product can cause injury or damage? YES NO

Explain: _____

4 Evaluate the Warnings/Cautions:

YES NO

Are there any warnings/cautions that you do not understand? YES NO

Are there too many warnings/cautions? YES NO

Are there warnings/cautions that you feel do not apply to this product? YES NO

Explain: _____

5 Evaluate the style:

YES NO

Is anything hard to locate/follow? YES NO

Are any headings missing/confusing? YES NO

Are there too many headings? YES NO

Should any material be a bulleted list or checklist instead of numbered steps or a paragraph? YES NO

Is there material that might be clarified by a visual? YES NO

Explain: _____

6 Evaluate the illustrations:

YES NO

Are the illustrations useful? YES NO

Do the illustrations need more or less detail? YES NO

Is the number/size of illustrations adequate? YES NO

Explain: _____

7 Do you have suggestions for other ways of making this document easier to use?

Yes

No

Explain: _____

Thank You!

Thank you for completing this survey. If you have any questions or we may be of assistance to you, please feel free to contact us. Send your survey to:

Invacare Technical Writing Department
Invacare Corporation
One Invacare Way Elyria, OH 44035
TechnicalWriting@invacare.com

FAX: 440-329-6975



Yes, you can.

Invacare Corporation www.invacare.com

USA
One Invacare Way
Elyria, Ohio 44036
(800) 333-6900

© 2014 Invacare Corporation. All rights reserved.
Republication, duplication or modification in whole or
in part is prohibited without prior written permission
from Invacare. Trademarks are identified by [™] and [®].
All trademarks are owned by or licensed to Invacare
Corporation or its subsidiaries unless otherwise noted.

Part No 1182445

Rev B-02- 12/04/14

