

KOHLER® Roughing-In

K-4406 WELLWORTH® ELONGATED TOILET BOWL

Product Information

Applicable product:	
Elongated toilet bowl (shown)	K-4406
Elongated toilet bowl - with bedpan lugs	K-4406-L
Fixture:	
Configuration	top spud, elongated
Water per flush	1.28 gpf (4.8 lpf) or 1.6 gpf (6.0 lpf)*
Spud size	1-1/2" (38 mm)
Passageway	2-1/4" (57 mm)
Water area	11" (279 mm) x 9" (229 mm)
Water depth from rim	6" (152 mm)
Seat post hole centers	5-1/2" (140 mm)
Minimum static pressure required	35 psi (241.3 kPa)
Maximum static pressure	80 psi (551.6 kPa)
Minimum flowing pressure required	25 psi (172.4 kPa)
Required supply minimum	25 gal/min (94.6 l/min)
* Based upon use of a 1.28 gal (4.8 L) or 1.6 gal (6.0 L) flushometer.	

Included Components:

Spud	18357
Bolt cap accessory pack	1013092

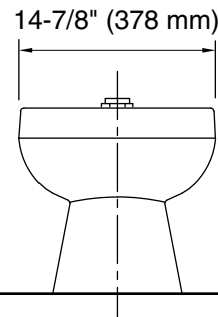
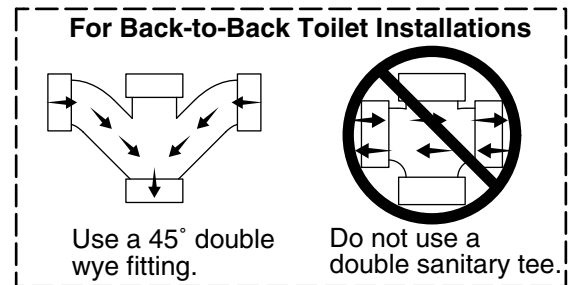
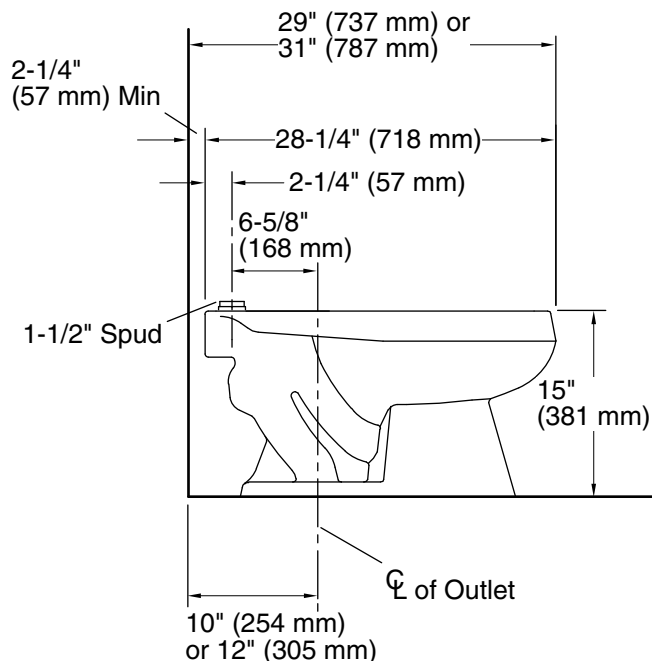
Flushometer requirements: For 12" (305 mm) rough-in, sweat extension nipple is required. Refer to manufacturer and local codes.

Installation Notes

Install this product according to the installation guide.

For back-to-back toilet installations: Use only a 45° double wye fitting.

Fixture conforms to ASME Standard A112.19.2/CSA B45.1. All dimensions are nominal.



Front of Bowl

