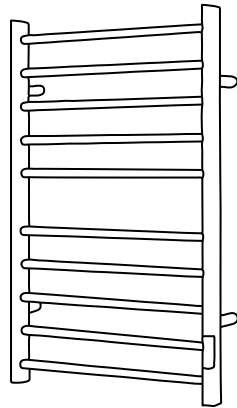


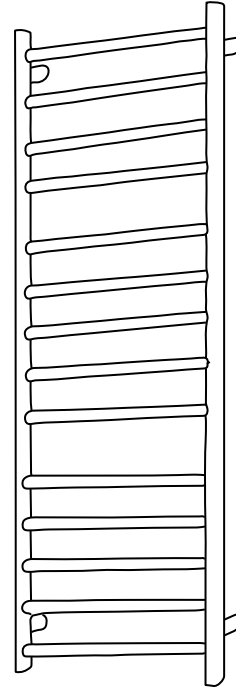
ANZZI®

ITEM: TW-WM104**
TW-WM105**

ANZZI TOWEL WARMER
INSTALL & OPERATION MANUAL
V1.0



TW-WM104**



TW-WM105**

DON'T WAIT! REGISTER NOW!

Register your product within 90 days to ensure your product is recognized as an official purchase and is eligible for warranty coverage.

Mail in the completed registry card (Pg. 2) or register online at www.swcorp.com/register.



PRODUCT REGISTRATION*

IMPORTANT: YOUR WARRANTY WILL NOT BE RECOGNIZED UNLESS THIS CARD IS FULLY COMPLETED AND RETURNED OR ONLINE REGISTRATION IS COMPLETED.

To ensure that your warranty is registered and confirmed please do one of the following:

1. **Register online at www.swcorp.com/register.** You will be asked to fill out the same information you would in the registration card. Registering online is fast, secure and ensures we receive your information.

2. **Complete, cut-out and mail the registration card below.** By returning this registration card we confirm the date of purchase for your new product. This confirmation will allow us to process any warranty claims.

Mail the card to: 5701 NW 35 Avenue, Miami, FL 33142



Product Registration Card

Name Address

City State Zip

Phone Email.....

Date of Purchase.....

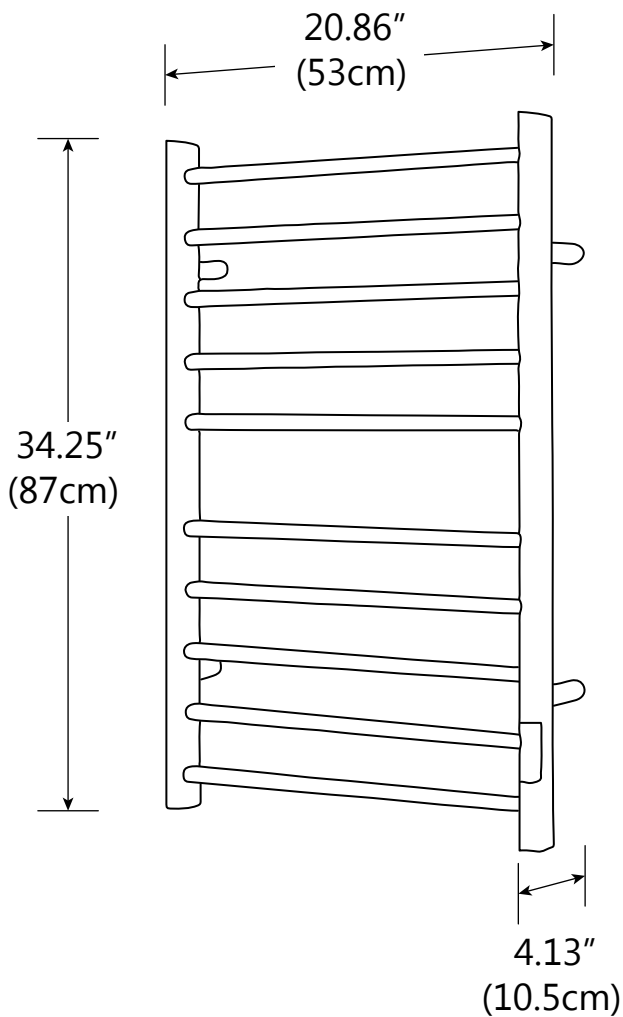
Installer's Name Phone

I have read the Owner's Manual carefully and understand and agree that any installation, operation or maintenance of the product must be done strictly in accordance with instructions and guidelines contained in the owner's manual and installation guide.

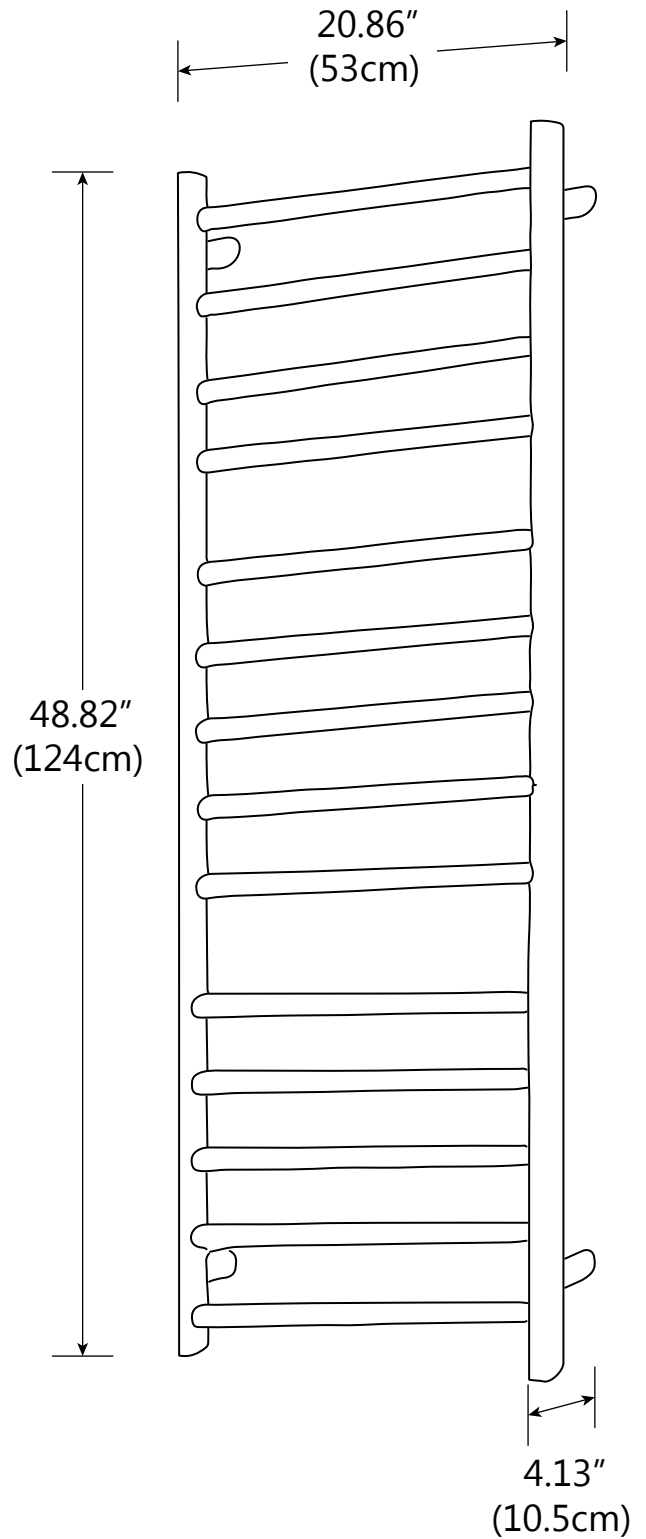
Signature _____ Date _____

TW-WM104:** 20.86" *4.13" *34.25"
53*10.5*87cm

TW-WM105:** 20.86" *4.13" *48.82"
53*10.5*124cm



TW-WM104**



TW-WM105**



TOWEL WARMER / Wall Mount Install Guide

Need help? For technical support call 305-614-4070 or visit us at www.ANZZI.com

Before using this product. Please read the following instructions carefully and keep this pamphlet for future reference.

About the product:

This heated towel rail is designed for drying towels or clothes, It has a surface stabilized temperature of 40°C - 50°C (104°F - 122°F) and it used in household bathrooms and kitchens.this appliance is used under the voltage of 110V-120V AC, is manufactured according to ETL standard.

Safety Precautions:

- 1.The supplied power system which is connected to the towel rail must be used with a over-current protection device.
- 2.This product is supplied with the relevant, fitted three pin socket and three-wire cable, to avoid any risks or danger it must be properly grounded.
- 3.Any change of the repair to the damaged internal wires must be done by a qualified technician who is deemed qualified by the industry standard. When any external wire fittings are required, the power must be cut off completely.
- 4.Any hard scrubbing or scratching on the product surface is strictly prohibited.

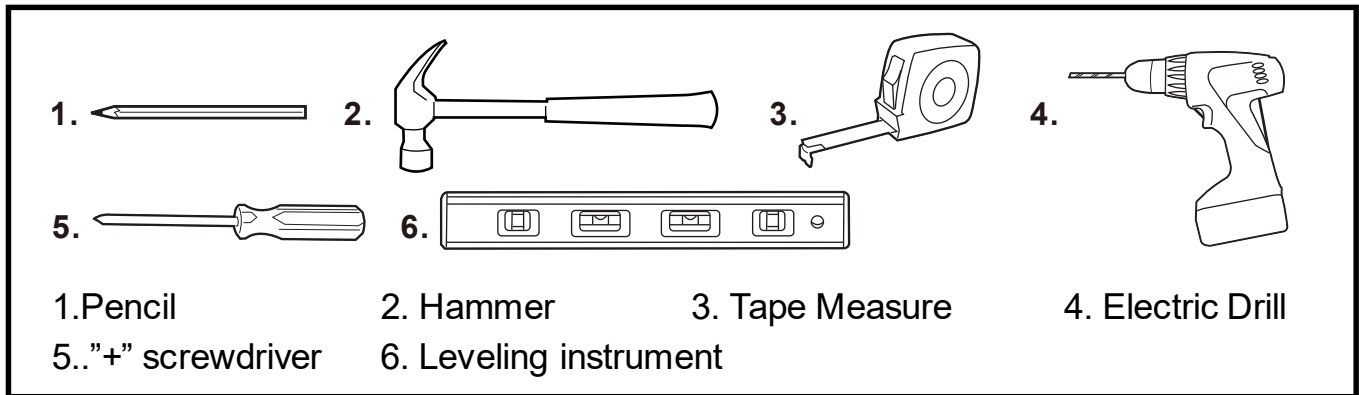
Note:

- 1.In the event of any technical statistics difference, please refer to the actual product.
- 2.Please wipe the towel rail with a soft dry clothes when cleaning it.

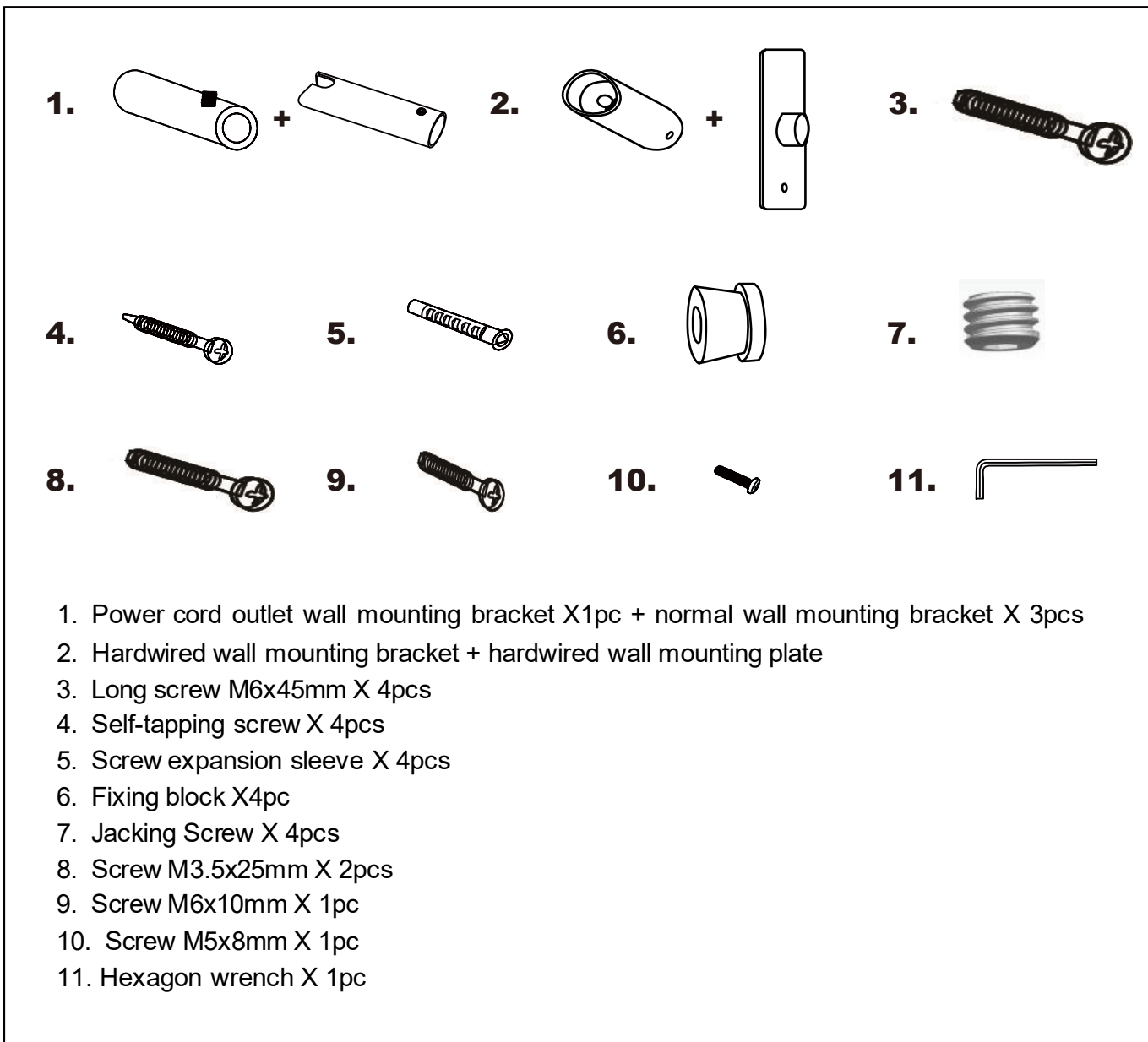
Waring :

- 1.Only use for drying textiles which have been dampened by water.
- 2.The original wire cannot be replaced, when it is unworkable, the whole product should be replaced.
- 3.If the appliance is supplied from an extension cord set or electric portable outlet device, then the extension cord set or electric portable outlet device should be positioned so that it is not subject to splashing or excessive moisture.

TOOLS

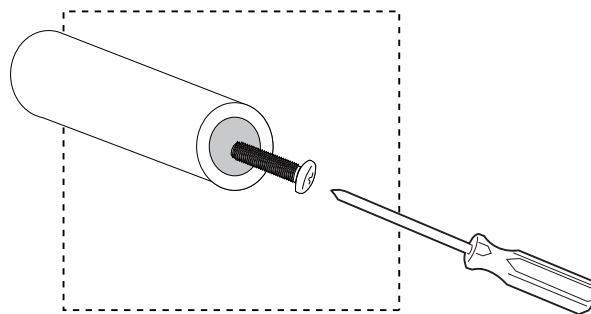
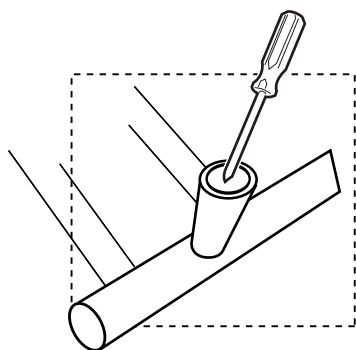


Accessories List



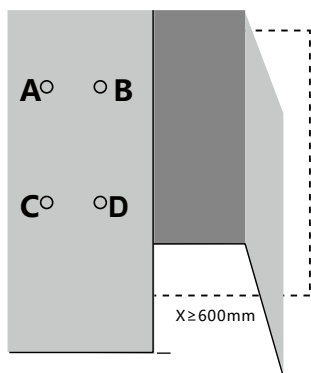
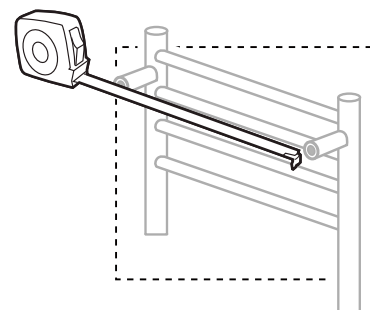
Installation Steps

Step 1
Pass the long screw (3) through the wall mounting bracket (1)



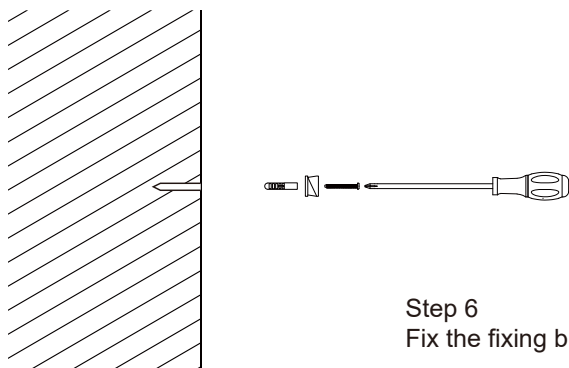
Step 2
The wall mounting bracket (1) is fixed on the vertical rod through the long screw (3), and it is noted that the side holes are facing downward toward the floor, Fix the remaining 3 wall mounting brackets according to this method.

Step 3
Measure the distance of the center hole of the four wall mounting brackets installed with a tape measure to obtain the four dimensions of AB,AC,CD and BD.

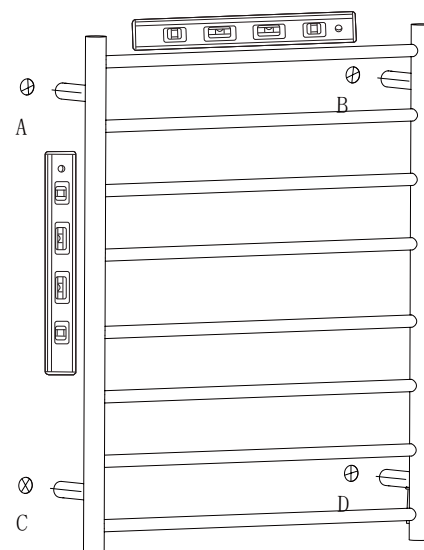


Step 4
According to the measured dimensions, mark the positions of four points A,B,C and D. It is recommended to install it at a position above 600mm from the ground. Pay attention to ensure that AB and CD connections need to be horizontal and AC and BD connections need to be vertical. Place the towel rack at the marked position to confirm the levelness and verticality again.

Step 5
Drill holes at positions A,B,C and D with a size of $\phi 0.135 \times 1.77''$ ($\phi 8 \times 45\text{mm}$). Knock the screw expansion sleeve(5) into the wall with a hammer.

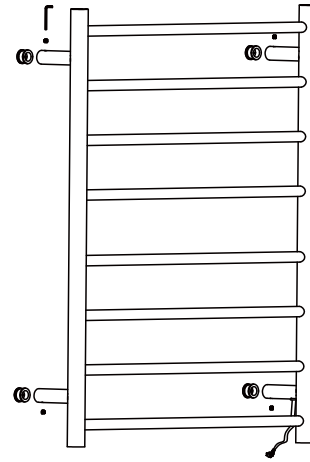


Step 6
Fix the fixing block (6) with the self-tapping

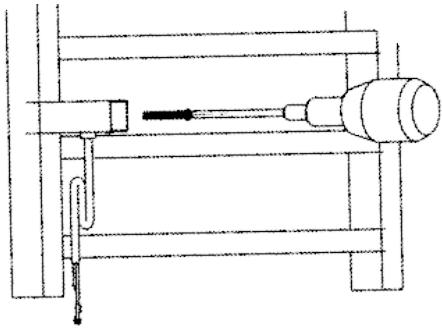


Step 7

Place the four wall mounting brackets(1) of the electric towel rack on the corresponding fixing blocks (6), then tighten the jacking screws (7) with a hexagon wrench (11) and ensure that the brackets adhere to the wall surface. After that, you can plug in the plug and turn on the switch for use.



Installation for hardwired

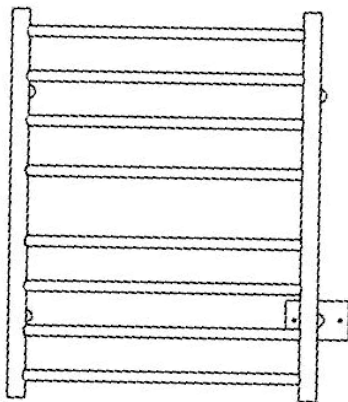
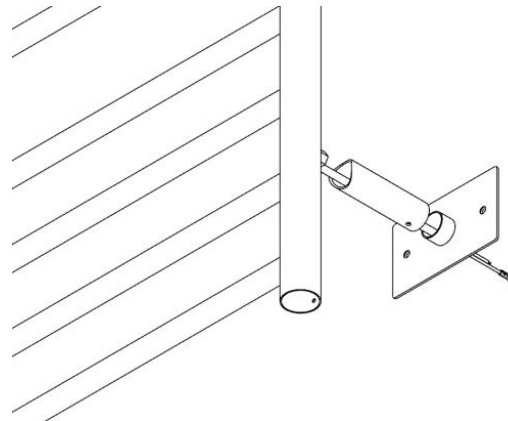


Step 2

Connect the wall mounting bracket (2) of the hardwired wall mounting plate with screws and then pass the power cord through the hardwired mounting plate. Secure the wall mounting bracket to the corresponding standpipe with the screw (9)

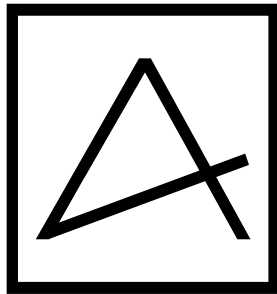
Step 1

Cut the plug and take out the wall mounting bracket (1) fixed on the product near the power cord.



Step 3

Connect the power cord well and conduct a power-on test. After confirming that everything is normal, fix the hardwired mounting plate to the wall through screws, and fix the remaining 3 brackets to the wall at the same time to complete the installation.



ANZZI®