

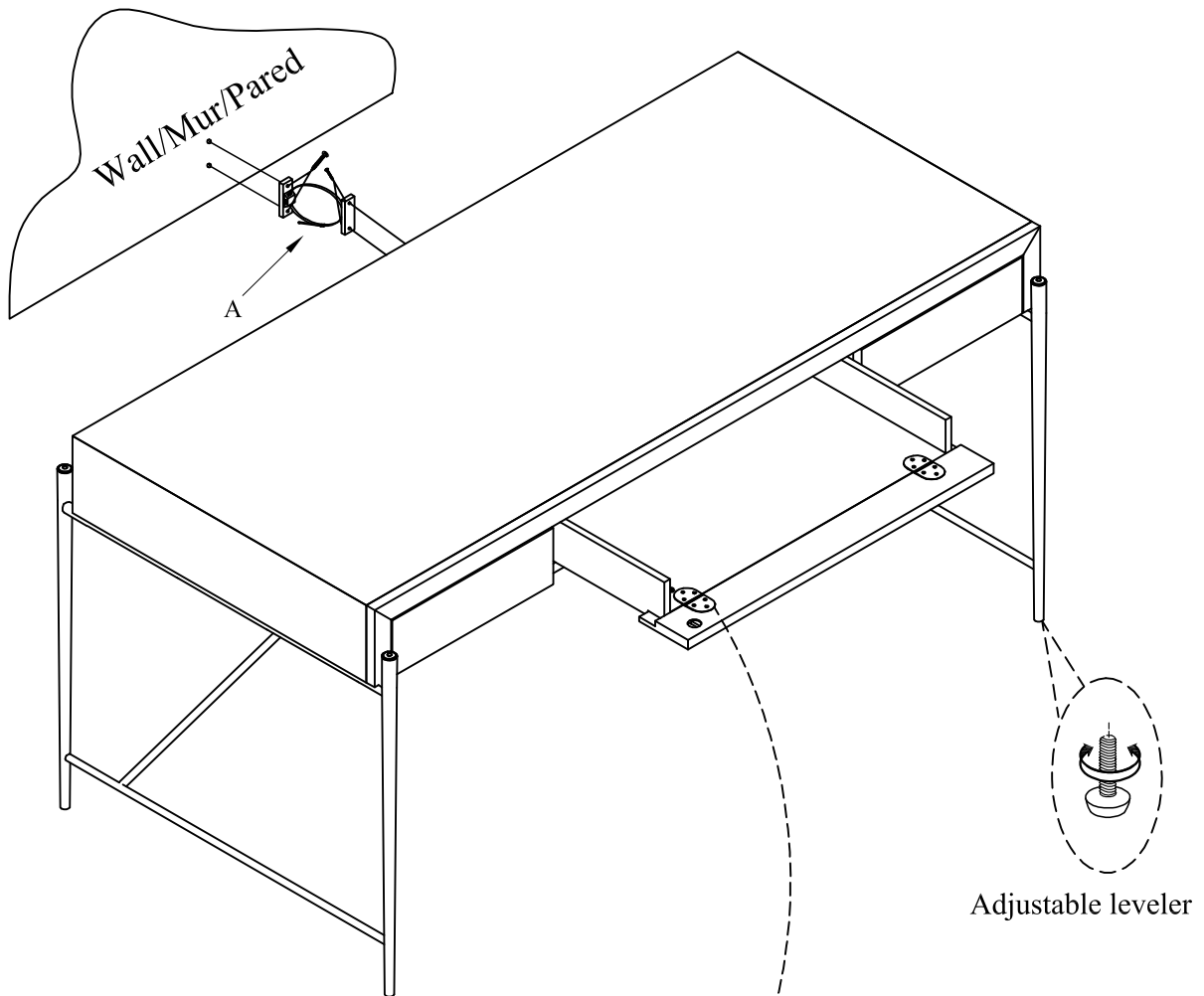
Item: 6033-10458-85 Writing Desk

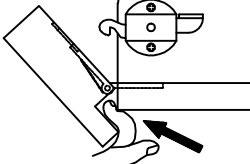
Thank you for purchasing this quality product. Be sure to unpack carefully looking for small parts which may have come loose during shipment.

Read all instruction and study the drawing carefully before starting the assembly process:

HARDWARE PACK

NO	DRAWING	DESCRIPTION	SIZE	Q'TY
A		Anti tip hardware pack		1SET





⚠ WARNING
 Pinch Point.
 Keep fingers
 from underneath
 drawer front
 when releasing.

Adjust levelers if needed, to level case on uneven floor