

CANYON CONSOLE TABLE

ASSEMBLY INSTRUCTIONS



MODUS
FURNITURE
INTERNATIONAL

PARTS AND FITTING PACKAGING DETAIL

BOX #1

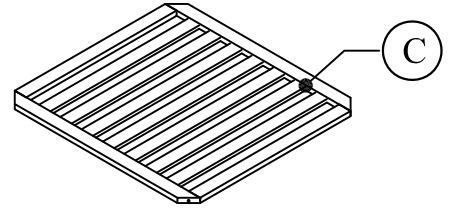
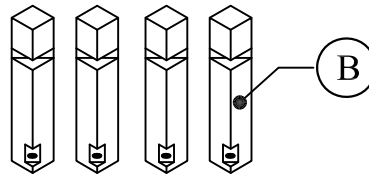
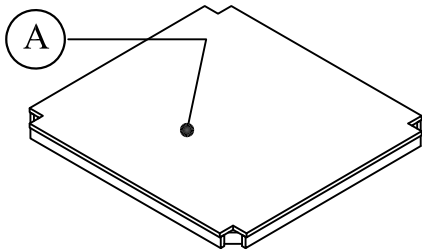
A. TOP

B. PEGS

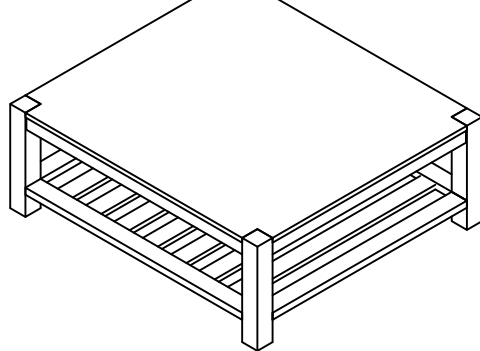
4 PCS

C. SHELF

1 PC



CANYON CONSOLE TABLE
ASSEMBLED



HARDWARE* PACKED IN BOX #1

H1	BOLT Ø8 X Ø50mm	4 PCS	H2	LOCK WASHERS 1 X Ø9 X Ø13mm	4 PCS
H3	FLAT WASHERS 1 X Ø8 X Ø20mm	4 PCS	H4	ALLEN KEY 4	1 PC
H5	WOOD SCREW Ø4 X Ø50mm	4 PCS			

YOUR BOX MAY CONTAIN EXTRA HARDWARE

DIAGRAM 1

Attach legs (B). Do not fully tighten bolts (H1).

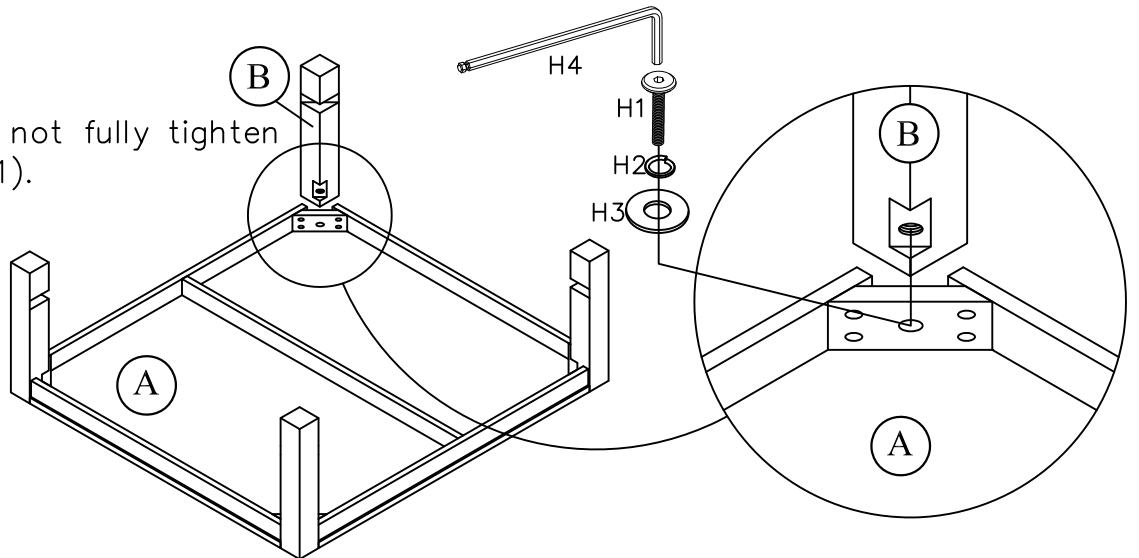


DIAGRAM 2

2. Attach Shelf (C).
3. Tighten wood screws (H5).
4. Tighten all bolts (H1).

