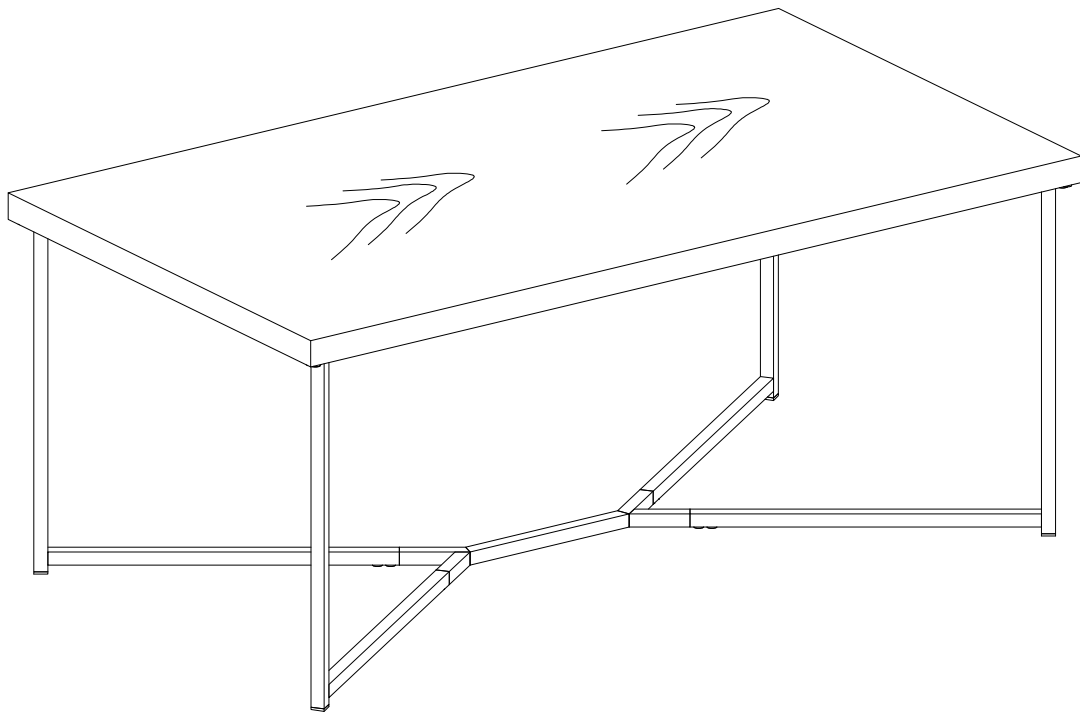


W Walker[®]
Edison
furniture company

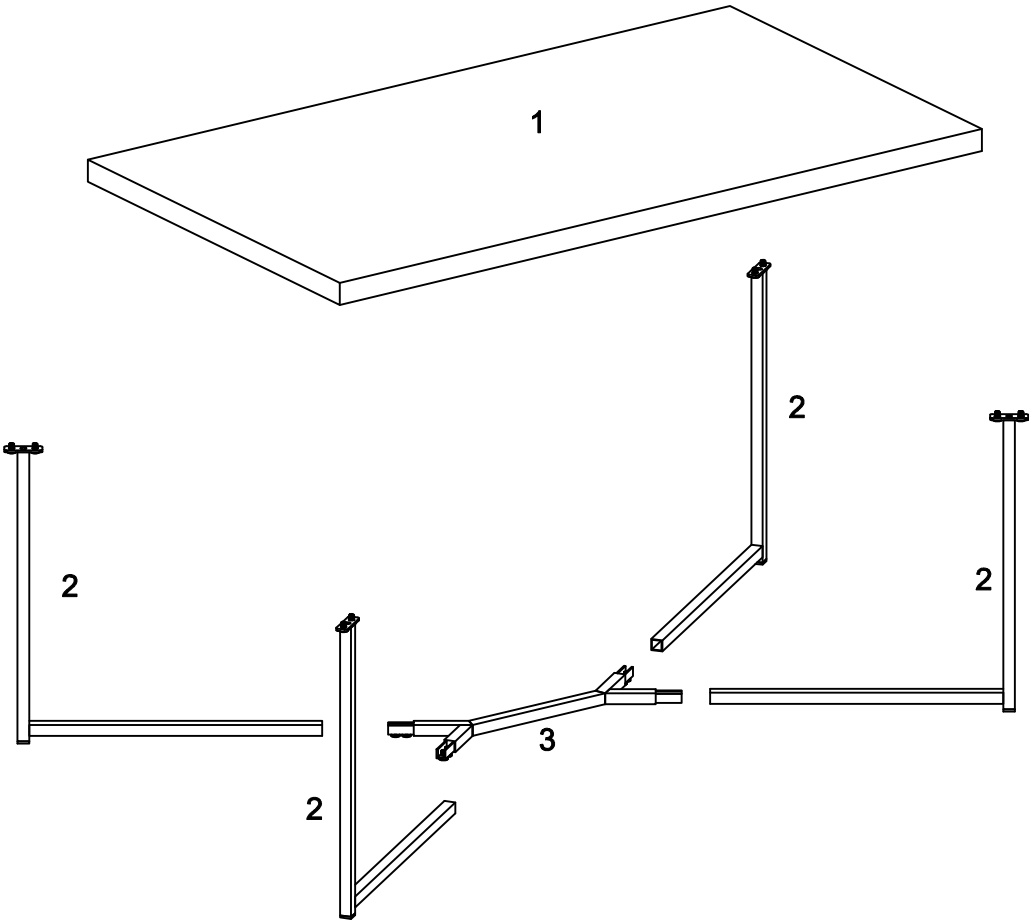
Item # : AF42LUX
Assembly Instructions






Please visit our website for the most current instructions, assembly tips, report damage, or request parts. www.walker-edison.com

Revised 12/2017

Parts List

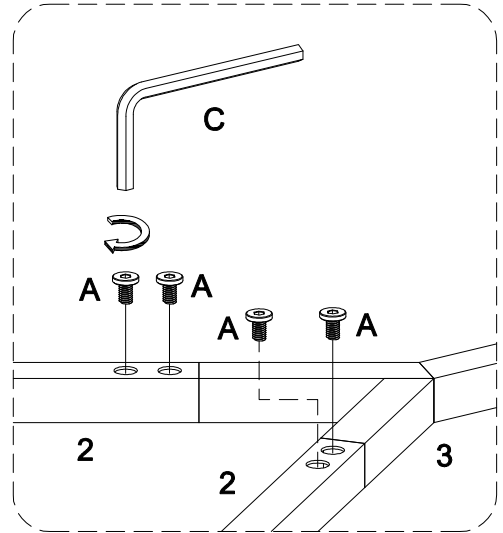
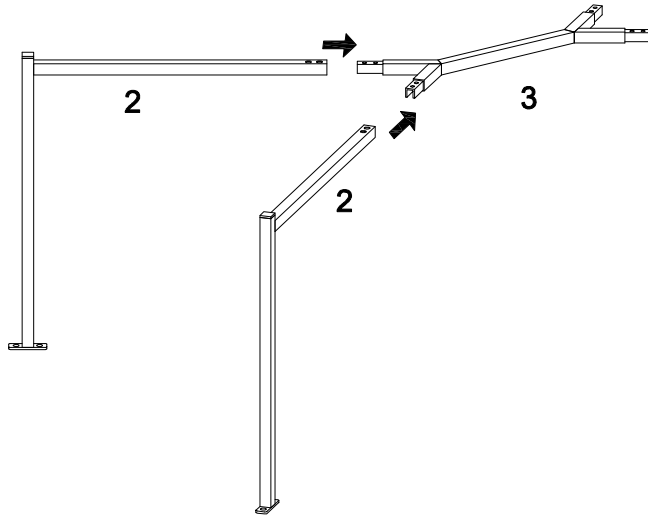


Hardware List

A		Ø 6x8mm	Bolt	8 pcs
B		Ø 6x15mm	Bolt	8 pcs
C		M 4	Wrench	1 pc

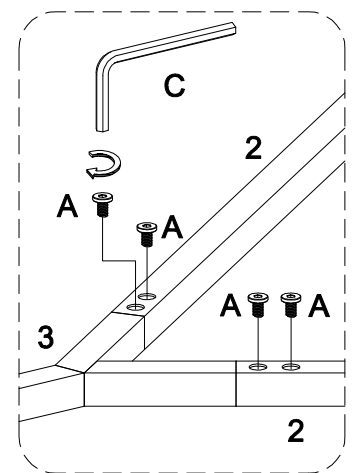
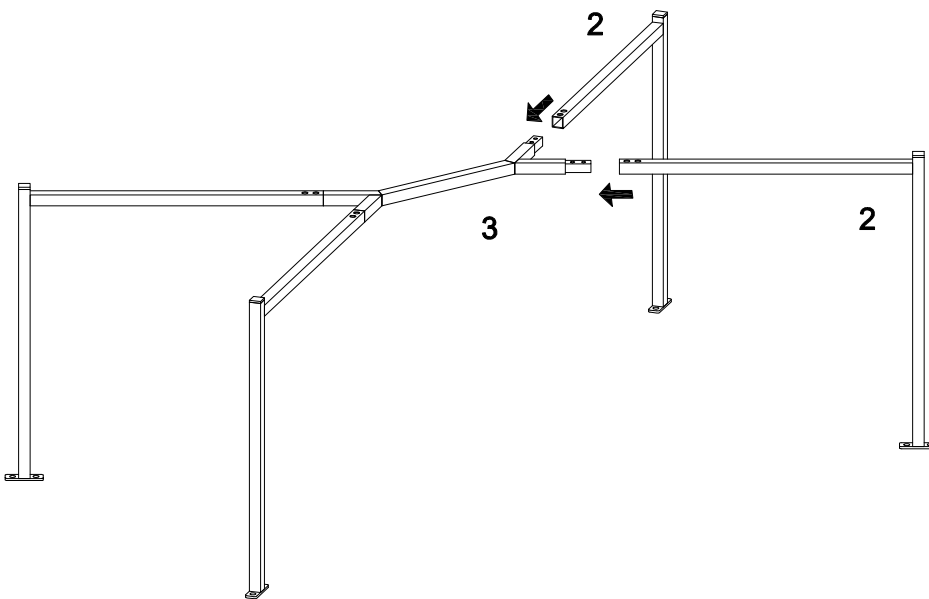
*The hardware quantities listed above are required for proper assembly.
Some extra hardware may also have been included.*

Step 1



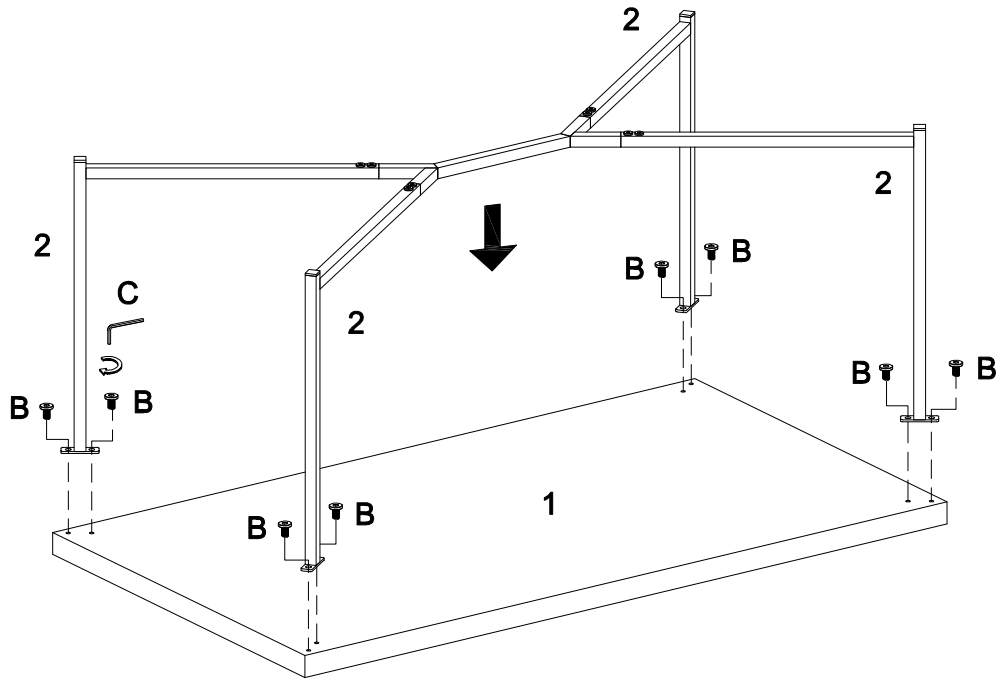
Insert part (3) into legs (2), then use wrench (C) to secure them with bolt (A).

Step 2



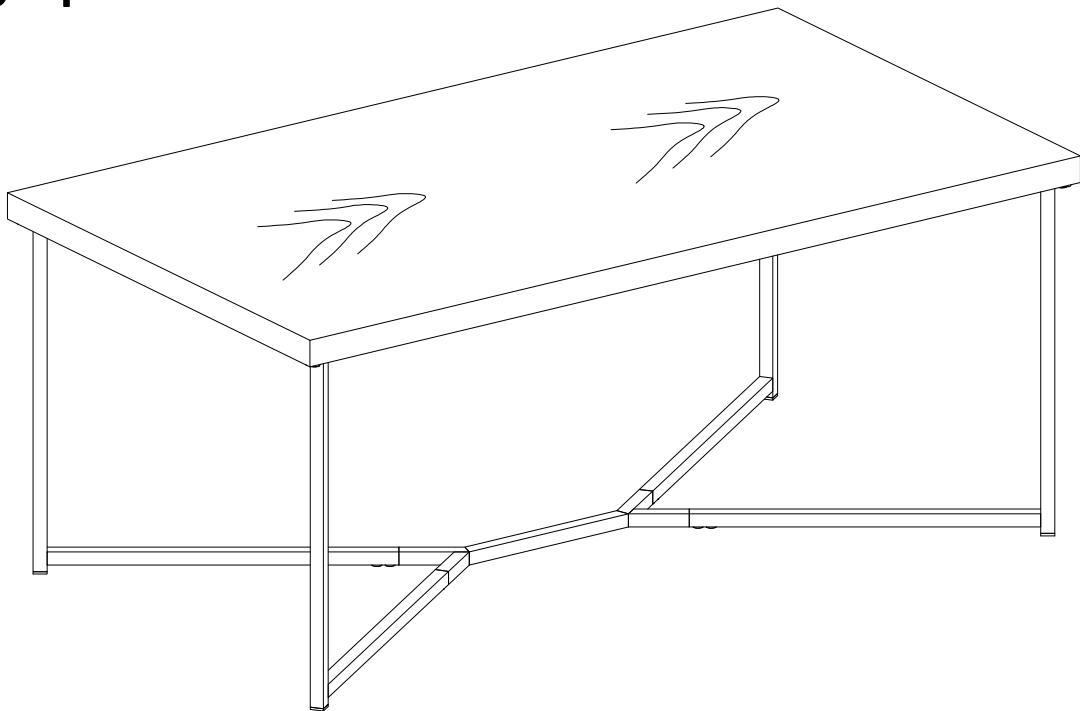
Insert part (3) into legs (2), then use wrench (C) to secure them with bolt (A).

Step 3



Use wrench (C) to secure legs (2) to top panel (1) with bolt (B).

Step 4



Final Assembly