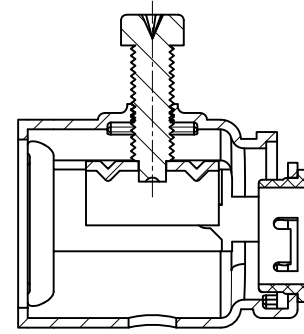
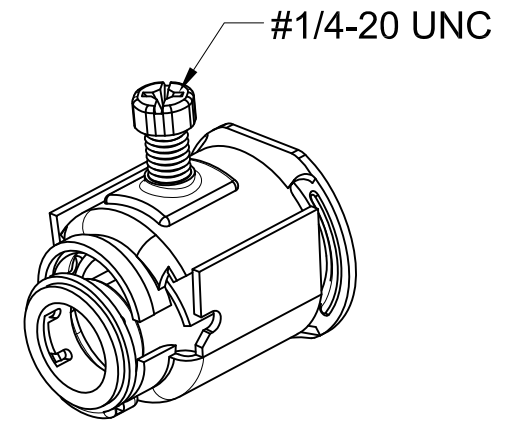
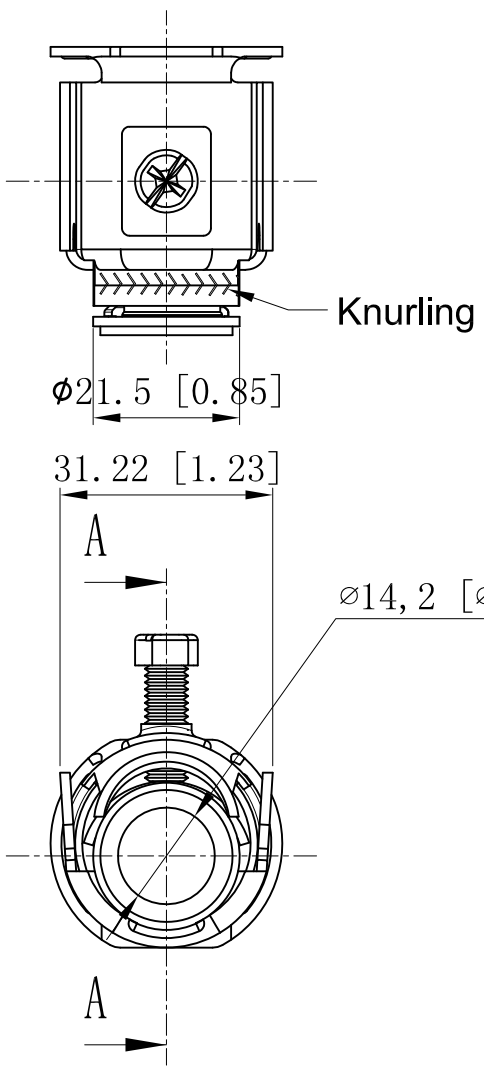
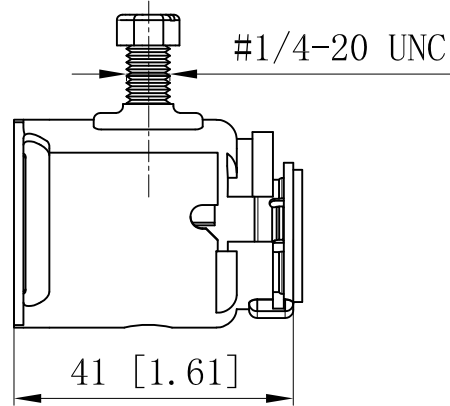


SIDES	BOTTOM
1 PCS #1/4-20×3/4 Screws Installed	
Material:Steel-0.055"-G60 Galvanized	



CUTAWAY VIEW A-A

This data sheet is for reference only .GARVIN INDUSTRIES reserves the right to make changes to the design without prior notice.

DESCRIPTION
TRADE REFERENCE TERMS

STANDARD PACKING

GARVIN INDUSTRIES		
St1 Fastlock WdThrt Conn, 1/2"		
SIZE	DWG NO.	REV
A4	FLC-50L	
DATA SHEET		
www.garvinindustries.com		