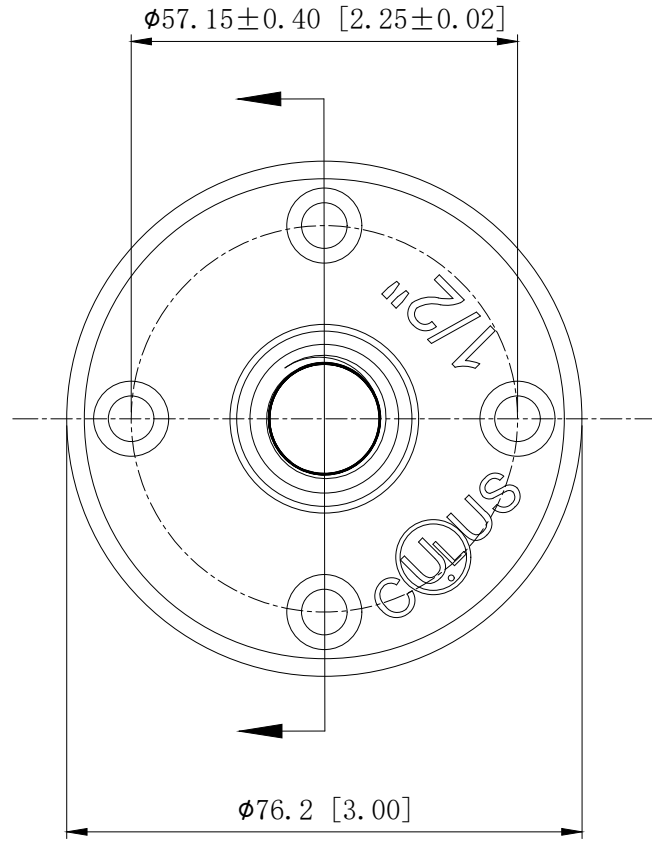
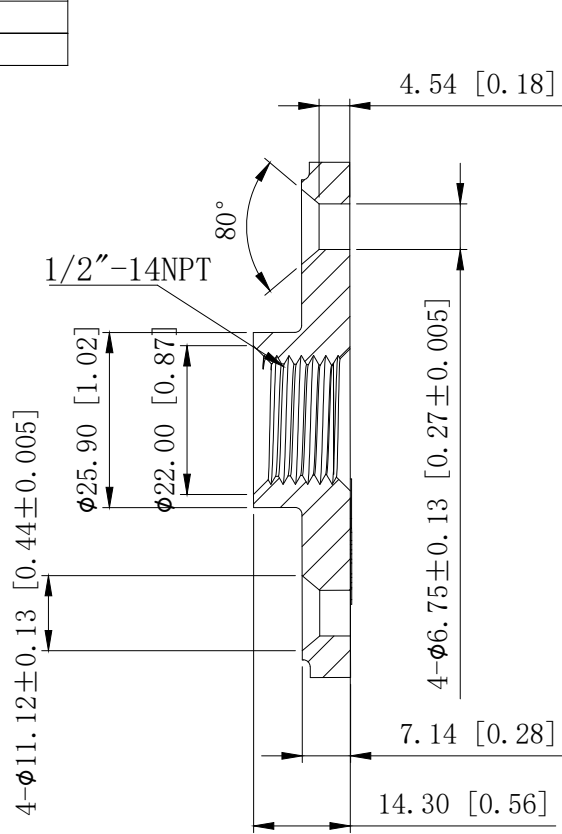


SIDES

BOTTOM

Material:Malleable, zinc plated



This data sheet is for reference only .GARVIN INDUSTRIES reserves the right to make changes to the design without prior notice.

DESCRIPTION
TRADE REFERENCE TERMS

STANDARD PACKING	GARVIN INDUSTRIES		
25 PCS			
TITLE	FF50		REV B
SIZE A4	DWG NO.		DATA SHEET