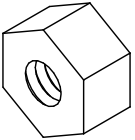
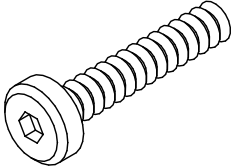


I



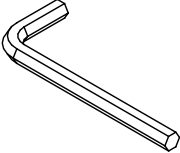
M4 X2

J



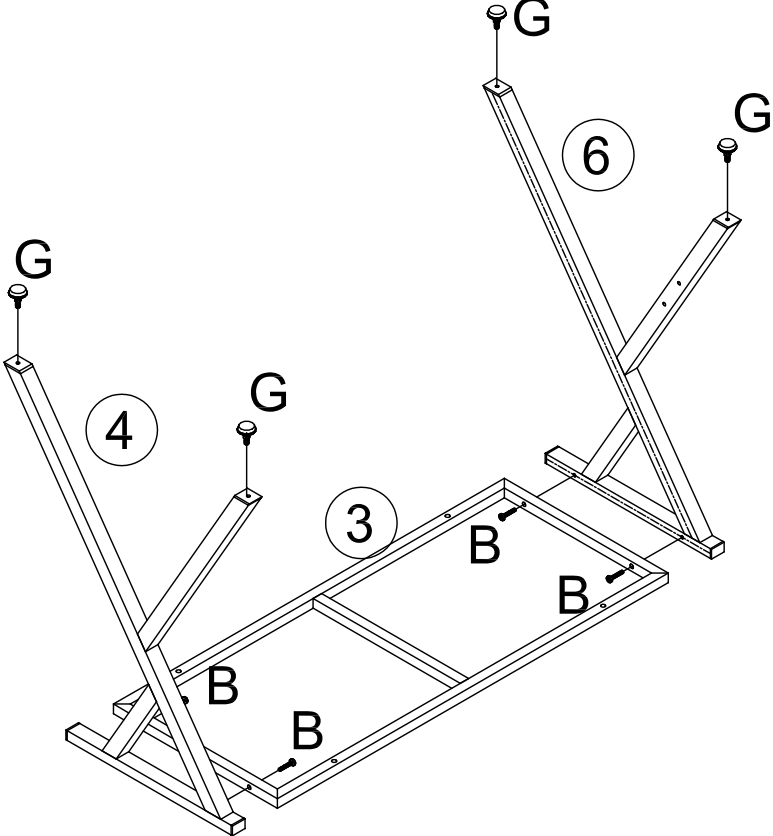
M6X40 X4

4MM



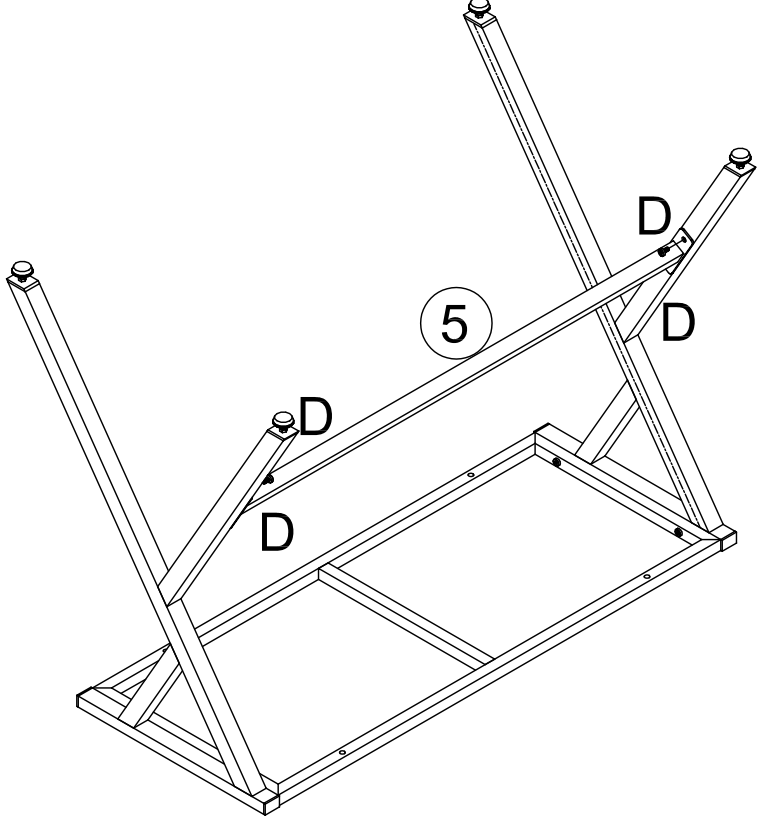
X1

1



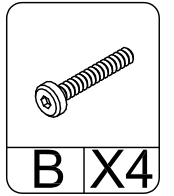
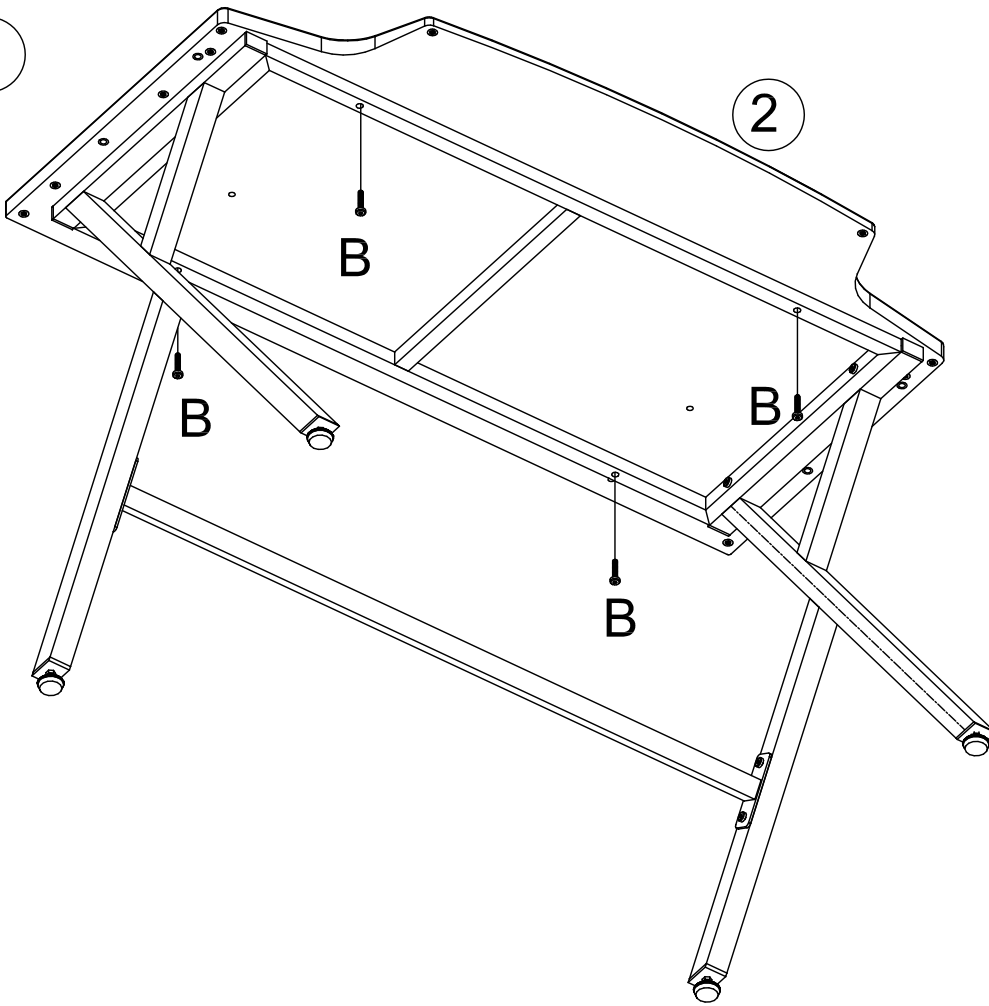
B X4 G X4

2

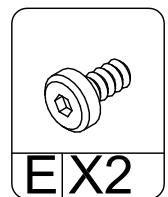
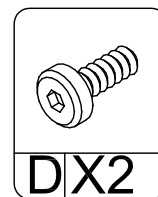
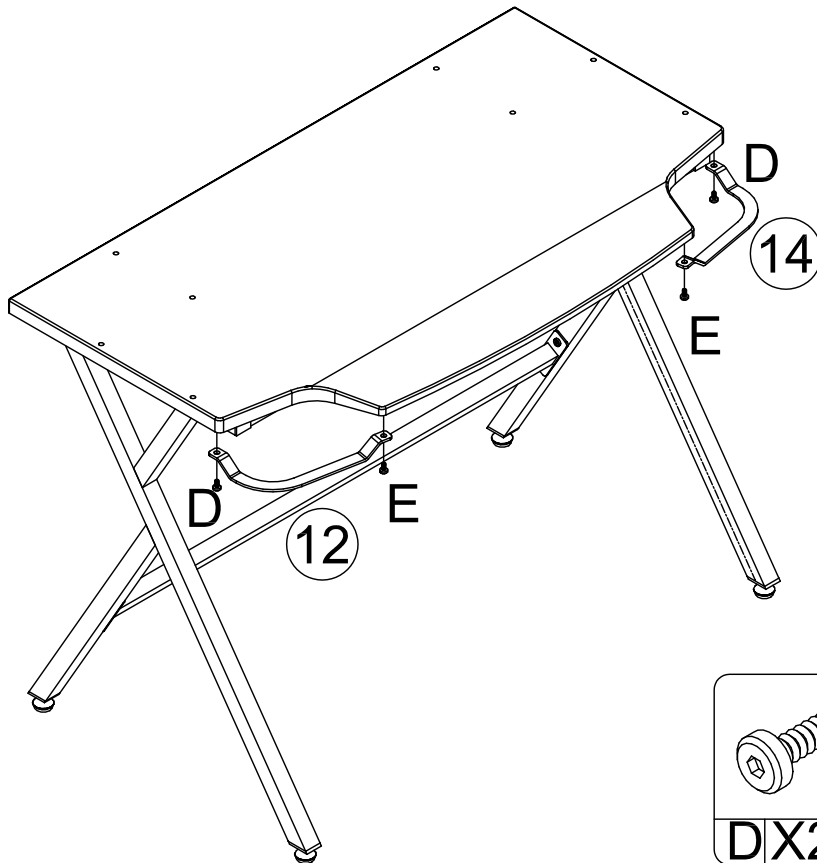


D X4

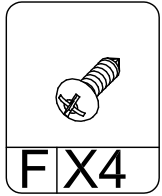
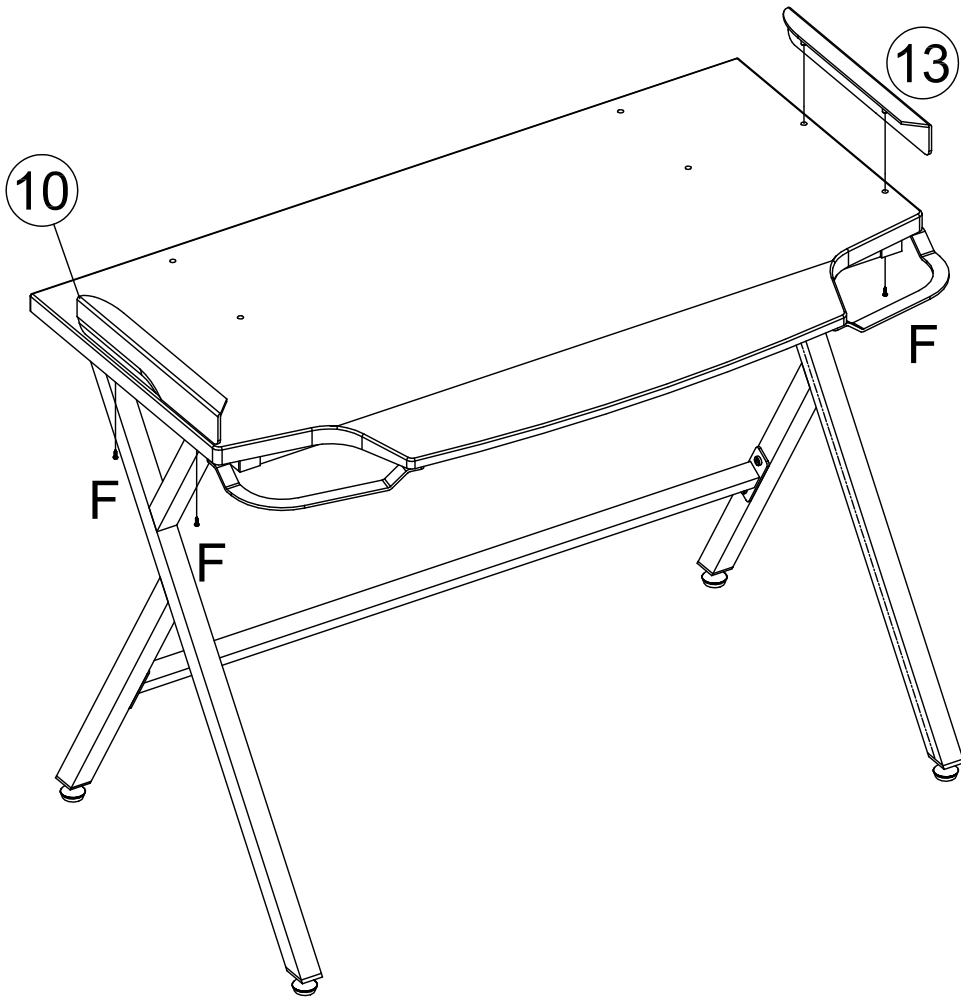
3



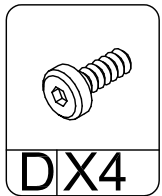
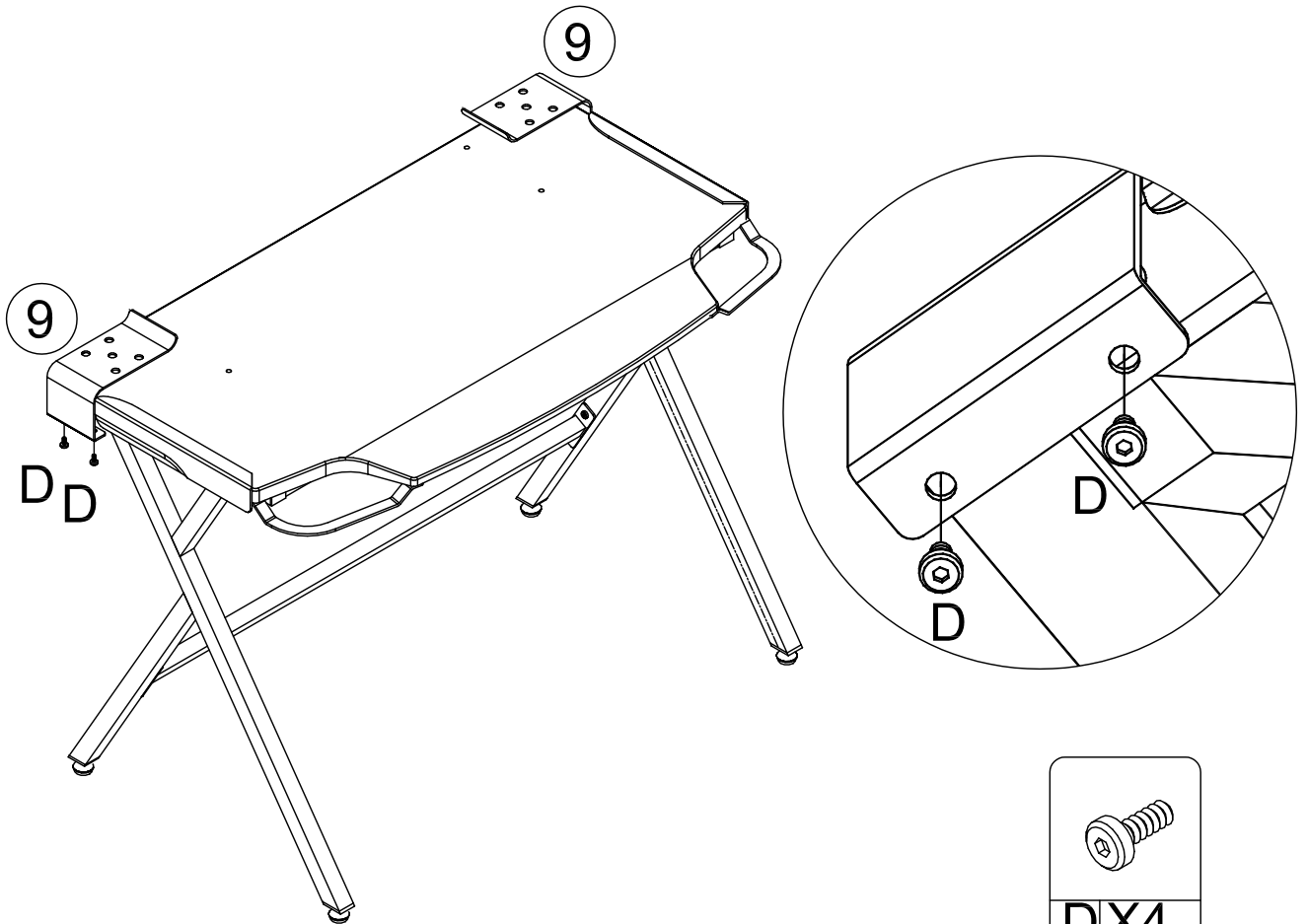
4



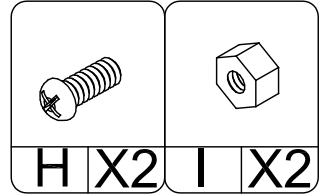
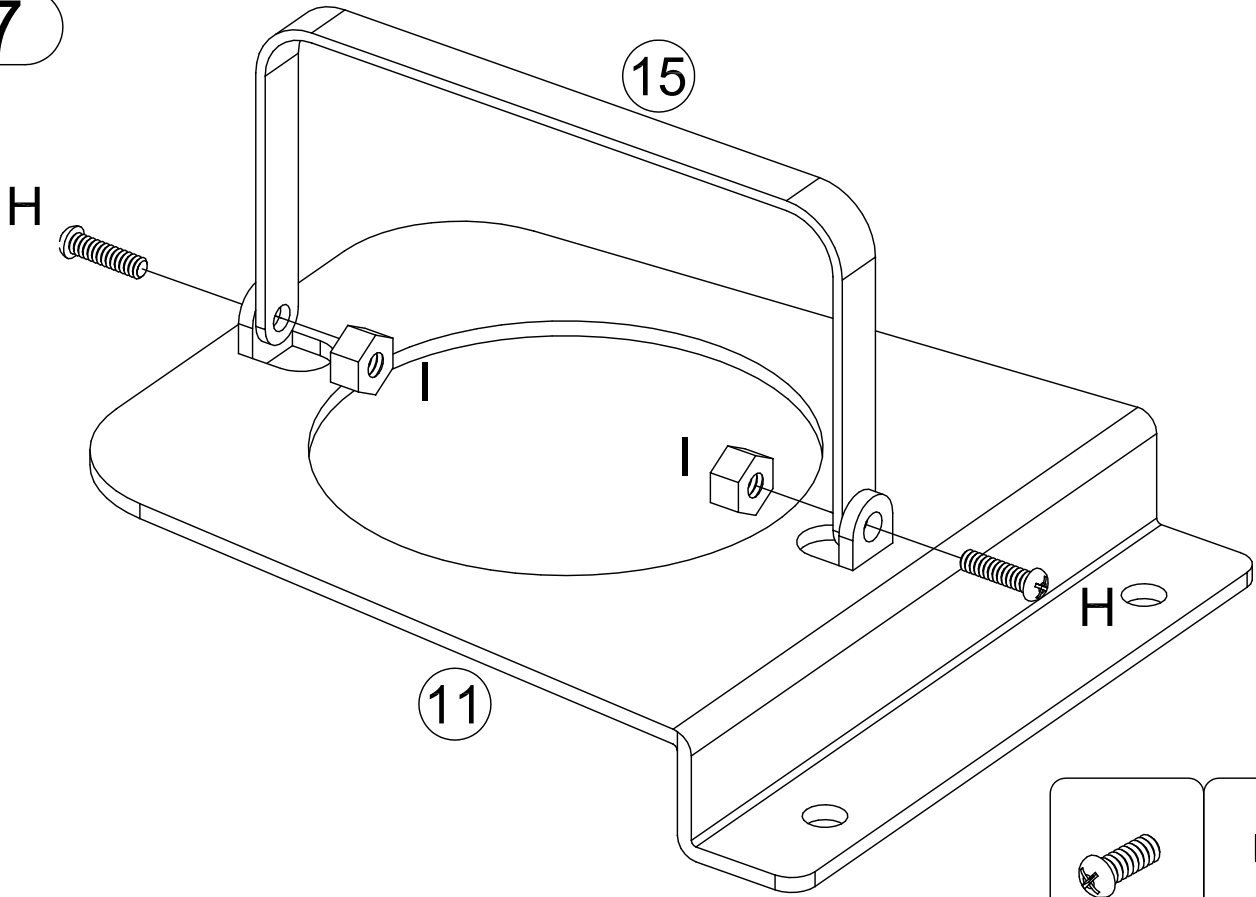
5



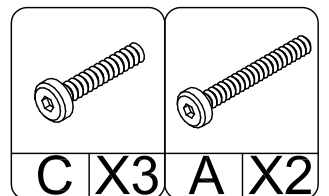
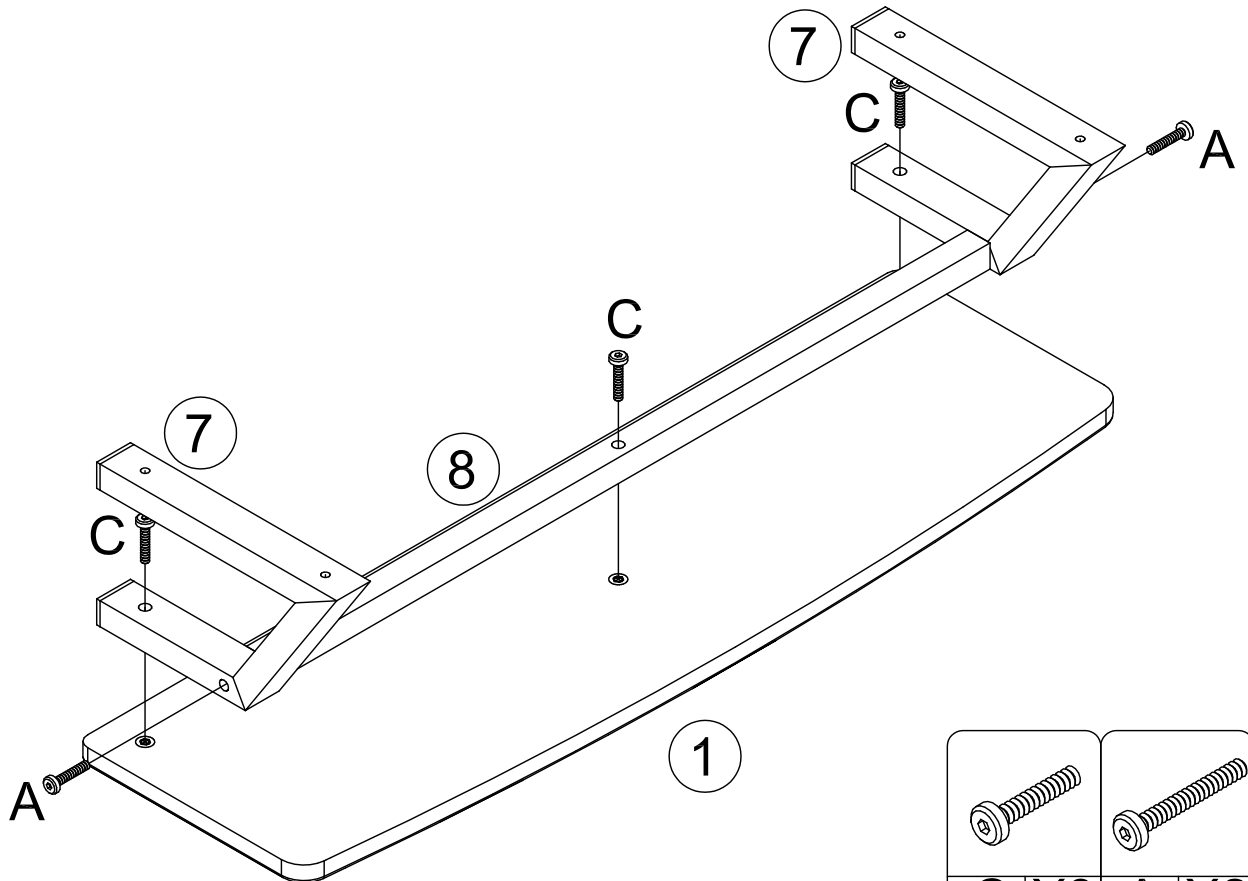
6



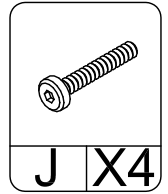
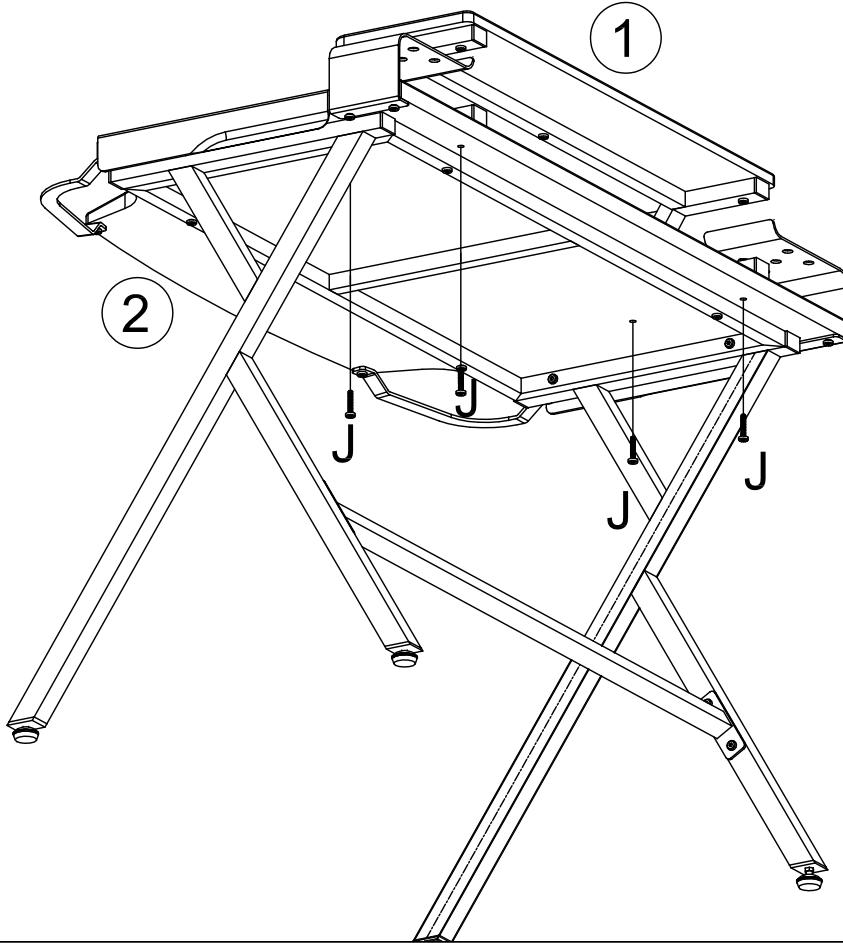
7



8

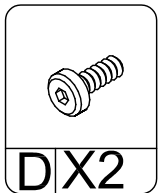
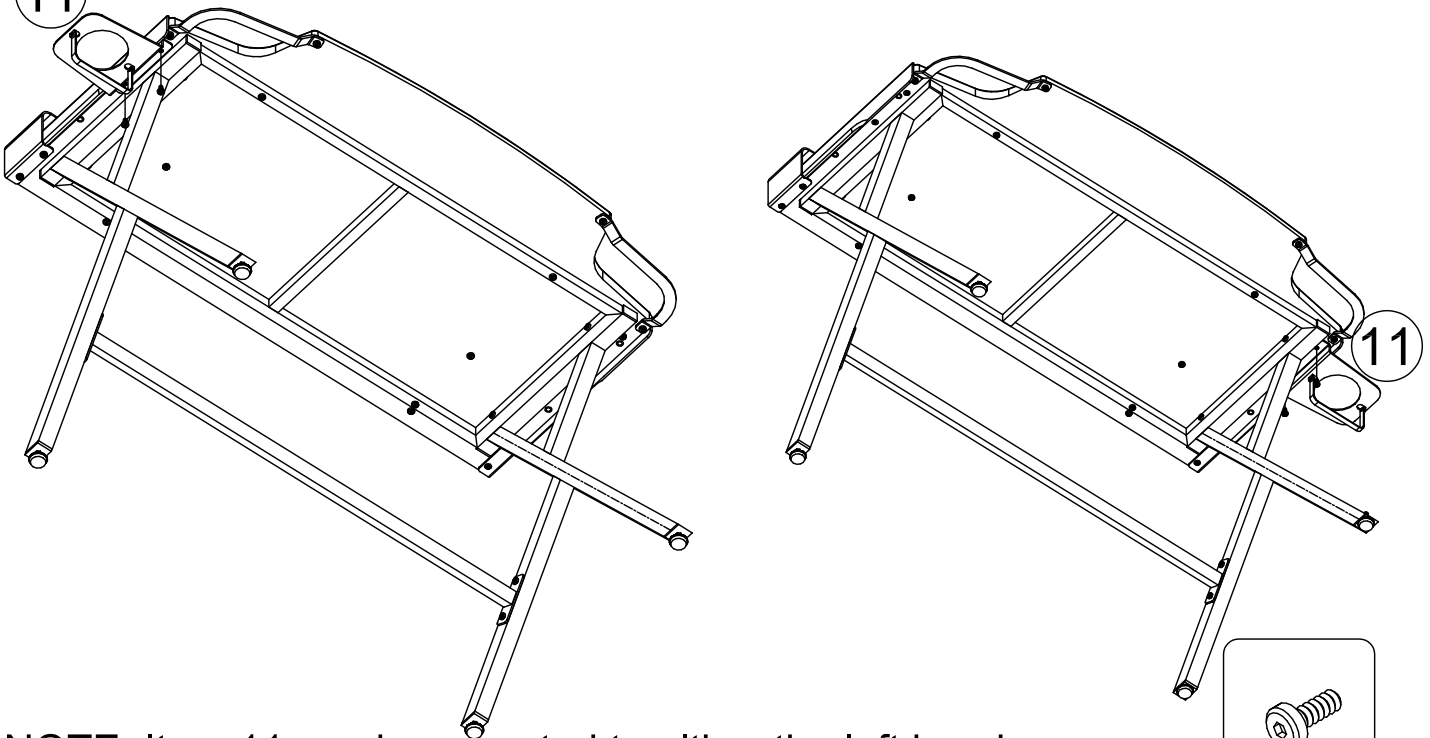


9



10

11



NOTE: Item 11 can be mounted to either the left hand or the right hand side of the desk.

11

