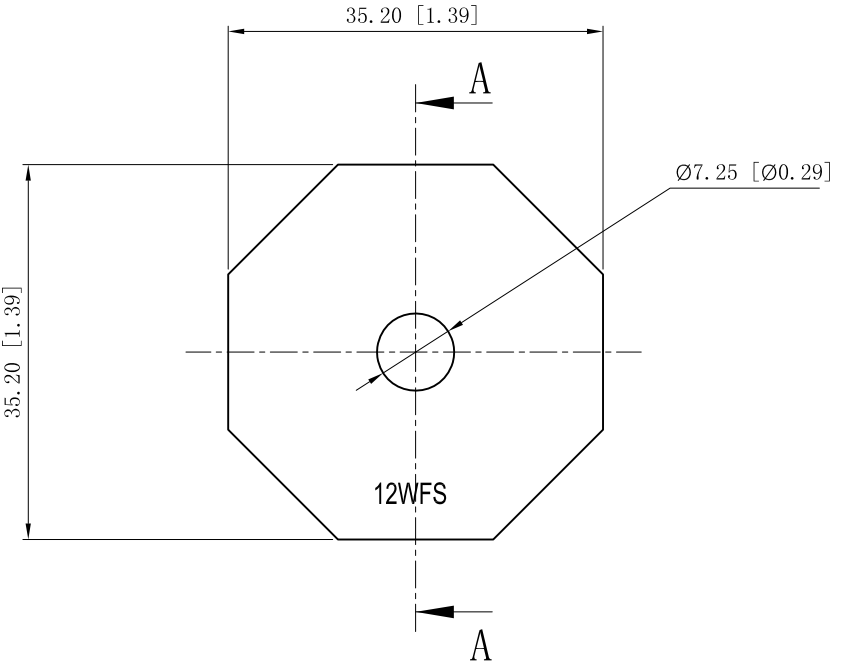


SIDES	BOTTOM
Material:Steel-(0.050"-0.0625")-G60 Galvanized	



VIEW A-A



This data sheet is for reference only .GARVIN INDUSTRIES reserves the right to make changes to the design without prior notice.

DESCRIPTION
TRADE REFERENCE TERMS

STANDARD PACKING
100 PCS

GARVIN INDUSTRIES		
ELECTRICAL TRADE WASHERS		
SIZE A4	DWG NO. 12WFS	REV A
DATA SHEET		