

## Specifications

### Description

Adcraft's 1A-CG series commercial Meat Grinders are ideal for quickly and efficiently grinding all of your favorite meats. These gear driven units are constructed of 304 stainless steel making them durable and easy to clean. Their powerful motors and compact design are perfect for any restaurant, deli, butcher shop and more. Each model comes complete with a stainless steel feed tray, grinder plates, knife and pusher. These models are ETL certified and backed with Adcraft's one year warranty.

### Construction

- Constructed of heavy duty 304 series stainless steel
- Direct gear driven transmission ensures for consistent grinding speeds
- Easy to use forward and reverse switch for optimal control
- Extra large stainless steel feed tray holds large quantities of meat
- Sturdy handle attached to the top of the unit for easy transportation
- Non-skid rubber feet for extra stability during use

### Electrical

- 120V/60Hz/1
- 5' power cord with NEMA 5-15 plug

### Includes

- Extra large stainless steel feed tray
- (1) 1/8" (4mm) fine grinder plate
- (1) 3/8" (10mm) coarse grinder plate
- (1) Stainless steel grinding knife
- Plastic pusher

## Meat Grinders

### Models:

1A-CG412

1A-CG422



### Certifications/Approvals



**Warranty:** This product is protected by Admiral Craft Equipment Corporation's one year limited warranty. Should your product fail under normal use it will be repaired or replaced up to one year from date of purchase.



## Meat Grinders - 1A-CG Series

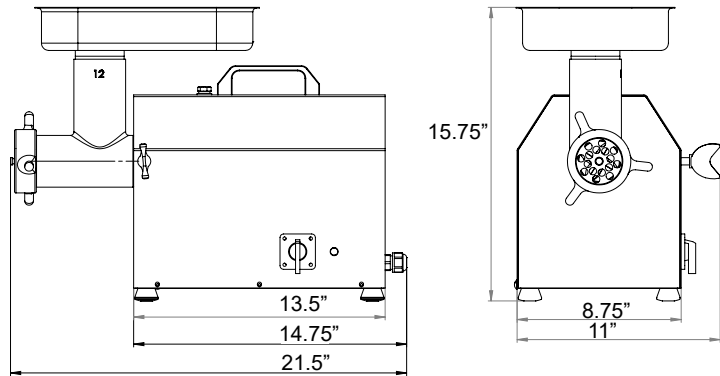
### Plan View

Item Number: 1A-CG412

Overall Dimensions: 11"W x 21.5"D x 15.75"H

Feed Tray: 8.5"W x 12"D x 2.5"H

Shipping Dimensions: 18.25"W x 23.5"D x 14"H

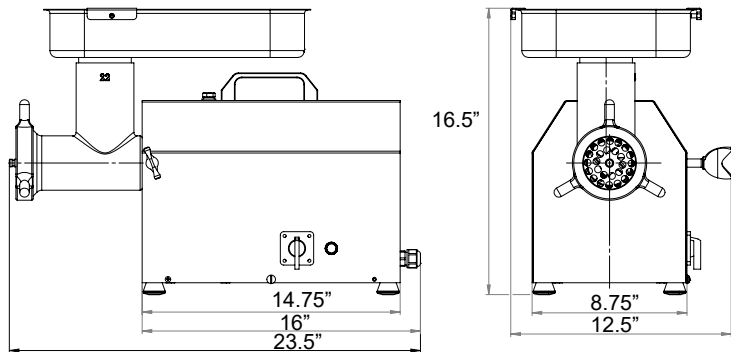


Item Number: 1A-CG422



Overall Dimensions: 12.5"W x 23.5"D x 16.5"H

Feed Tray: 10.5"W x 15.25"D x 2.75"H

Shipping Dimensions: 18.25"W x 23.5"D x 14"H



### Specifications

Item Number	Description	Horsepower	Volts	Watts	Amps	Phase	RPM	NEMA Plug
1A-CG412	#12 Meat Grinder	0.75 HP	120V	550W	2.65A	1	200	5-15P 
1A-CG422	#22 Meat Grinder	1 HP	120V	750W	4.05A	1	200	5-15P 

Item Number	Grinding Capacity	Grind Bone	Net Weight	Gross Weight
1A-CG412	460-540 lbs/hr	Yes - Small bones only	53 lbs	59 lbs
1A-CG422	540-720 lbs/hr	Yes - Small bones only	63 lbs	69 lbs

Specifications subject to change without notice. Please confirm at time of order.

©2021 Admiral Craft Equipment Corp.

**Admiral Craft Equipment Corp.**

55 Jericho Turnpike Suite 302A • Jericho, NY 11753 • P: 800-223-7750 • F: 800-447-7751 • www.admiralcraft.com