

SCHOOLHOUSE

Ray 8" Sconce

Application: Wall Sconce

Product Origin: Processed and assembled in Portland, Oregon using ethically-sourced domestic and global components.

UL Listed: Yes

Max Wattage: 7 W

Voltage: 120/220 V

Location Rating: Damp

Dimensions:

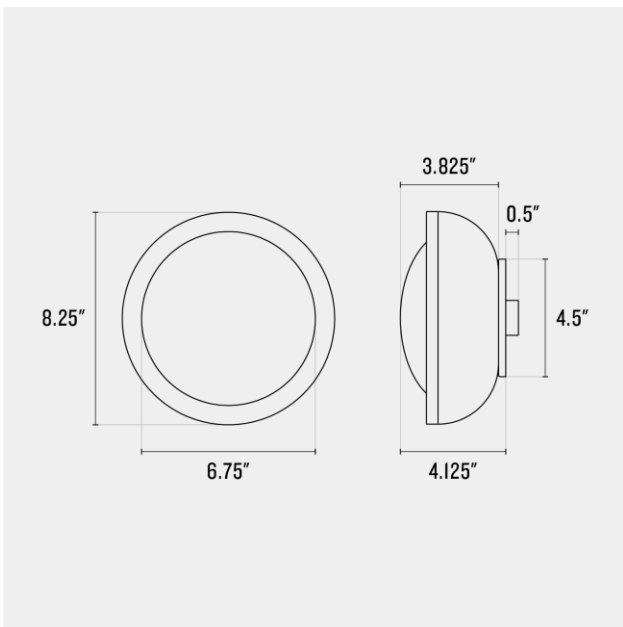
- Diameter: 8.25"
- Canopy Width: 4.5"
- Projection With Canopy: 4.125"
- Projection Without Canopy: 3.825"
- Socket Projection Into Junction Box: 0.5"

Materials: Steel / Glass

Details:

- Includes a 40W equivalent G16 frosted LED bulb (5W, 120V, 2700K, 300 lm, CRI 95)
- A minimum 2" Depth junction box is required to account for socket and wire clearance.
- Install with or without the canopy and circle bracket based on your preference. Installation without circle bracket requires a junction box with 3 9/16" center to center mounting hole placement.

One year guarantee



SCHOOLHOUSE

Color Option(s)



Paprika
(RD)



Alder-Satin
(AGR-S)



Butterscotch-Satin
(BU-S)



Chamomile-Satin
(CE-S)



White
(WT)



Pool Blue
(PL)



Black
(BK)



Bellini-Satin
(BN-S)



Laurel-Satin
(LR-S)



Lichen-Satin
(LN-S)



Pebble-Satin
(PEB-S)



Dune
(DU)



Eceru-Satin
(EC-S)