

PERRIN & ROWE[®] EDWARDIAN PRESSURE BALANCE TRIM WITH DIVERTER

Perrin & Rowe[®] Bath Edwardian

U.2010NLS (Metal Lever)

U.2010NX (Cross Handle)

FEATURES

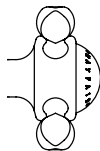
- Trim for concealed pressure balance rough valve with diverter
- Brass construction
- U.2010NLS Includes both porcelain and metal lever inserts
- Showerhead to tub spout or handshower diverter
- Must order RDD-2 rough valve to complete

COLORS/FINISHES

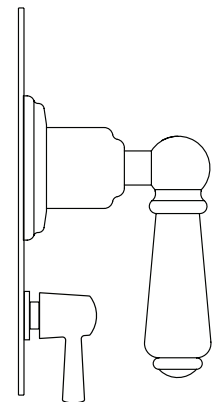
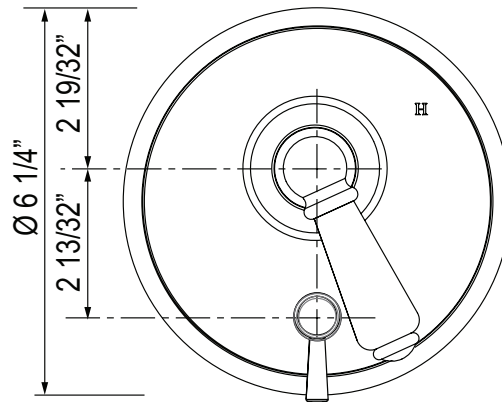
- Polished Chrome
- Polished Nickel
- Satin Nickel
- English Bronze
- English Gold*

WARRANTY

- Limited Lifetime
- * 5-year Limited Warranty



XM



3/32"