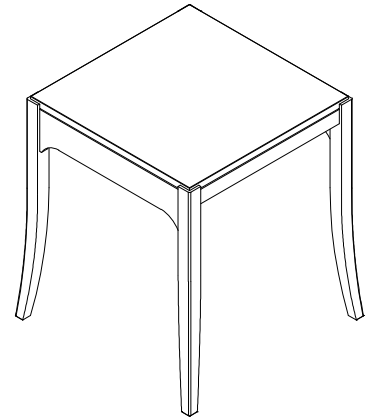


# FLEXSTEEL®

**W1076-022**

**Tall Bunching Table**

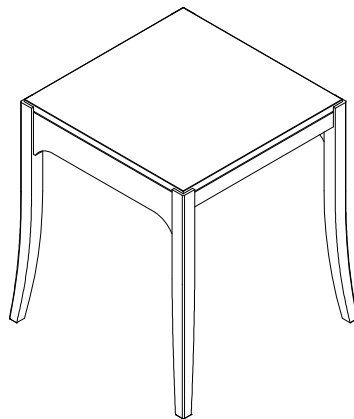


**IMPORTANT**

Please read instructions carefully before using this product.

## Part List

Adjust the levelers on the legs until the furniture is leveled. (See Figure 1.)



**Figure 1**

Adjustable Levelers

## CARE INSTRUCTIONS

- To avoid scratches, do not place sharp or jagged objects directly on the table top.
- Do not place hot items directly on the tabletop.
- Use placemats or trivets under hot items and coasters under beverages to prevent marks and stains.
- Avoid the use of harsh chemicals or abrasive cleaning materials.
- Wipe the table clean with a soft, dry cloth after each use.
- Wipe up spills quickly with a soft, dry cloth.

**Flexsteel Industries, Inc.**

For Parts or Customer Service call toll-free: 1-888-415-3979

Monday-Friday, 8:00-5:00pm Central Time

Email: [customersolutions@flexsteel.com](mailto:customersolutions@flexsteel.com)

[www.flexsteel.com](http://www.flexsteel.com)