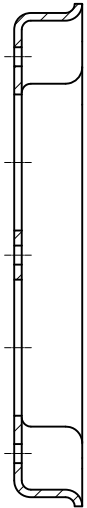
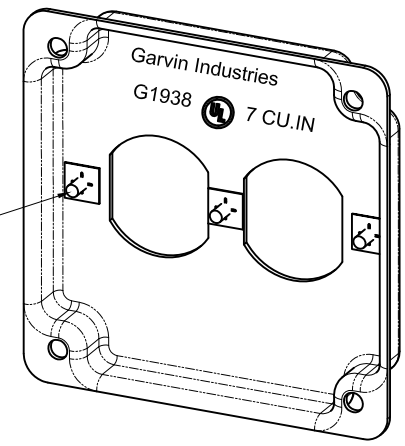
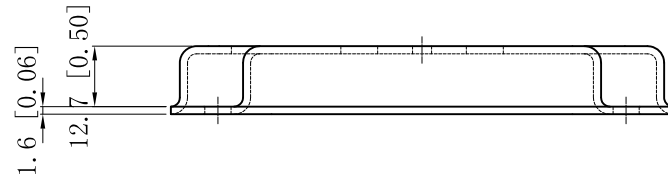
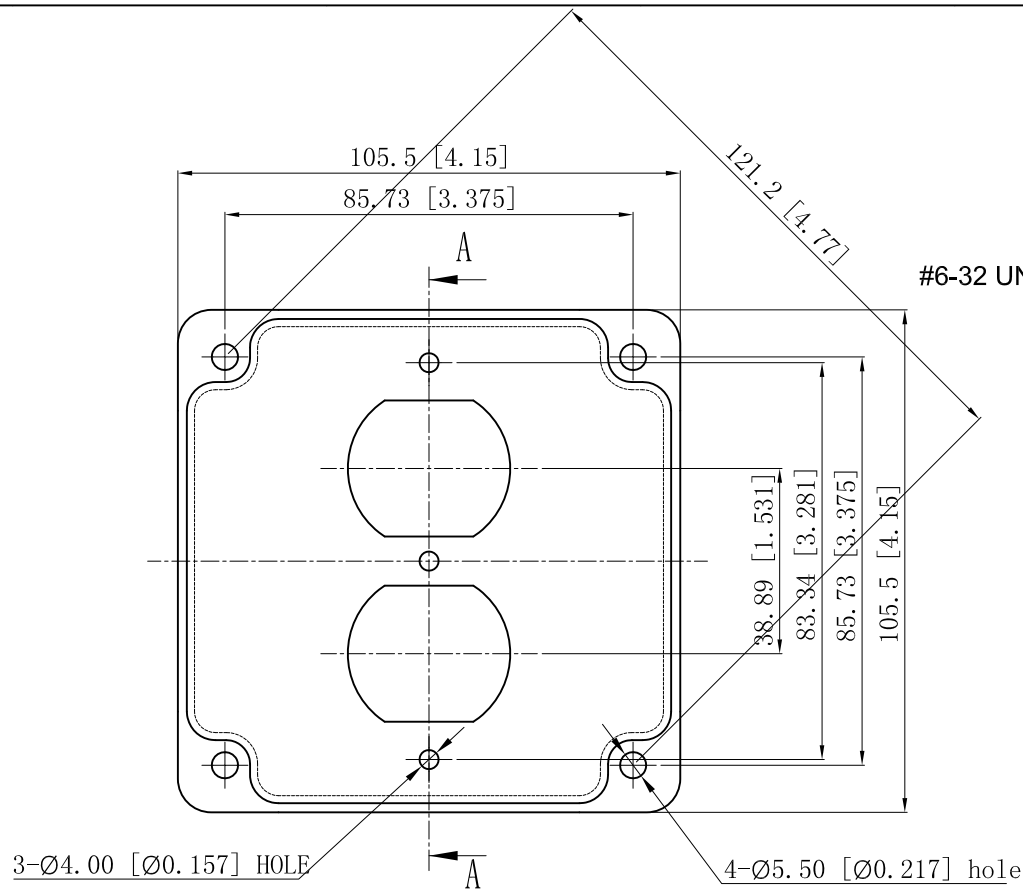


SIDES	BOTTOM
3 Pcs 6-32x5/16 screws Pack In Poly-bag Separately	
2 Pcs 6-32 Nut Pack In Poly-bag Separately	
Material:Steel-0.0625"-G60 Galvanized	



CUTAWAY VIEW A-A



This data sheet is for reference only .GARVIN INDUSTRIES reserves the right to make changes to the design without prior notice.

DESCRIPTION
TRADE REFERENCE TERMS

STANDARD PACKING
50 PCS

TITLE			REV
4" SQUARE INDUSTRIAL "GARVIN" COVERS			
SIZE	DWG NO.	REV	
A4	G1938	E	
DATA SHEET			