

Metris Select
Prep Kitchen Faucet, 1-Spray Pull-Out, 1.75 GPM
 Finishes : **steel optic** Part no. : **14848801**



Description

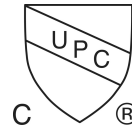
Features

- Swivel range 110° / 150°
- Laminar spray
- Select button provides convenient start/stop of the water flow at the sprayhead
- MagFit magnetic sprayhead docking
- Single-hole installation
- Flow: 1.75 GPM (6.6 L/Min)
- Ceramic cartridge
- 3/8" connections
- Integrated double backflow prevention
- MASS/Massachusetts
- NSF61-372/NSF/Kennzeichnung NSF@61-372
- DOE/FTC
- TECQ/Texas Registered
- CEC/California/Watersaving

Technology



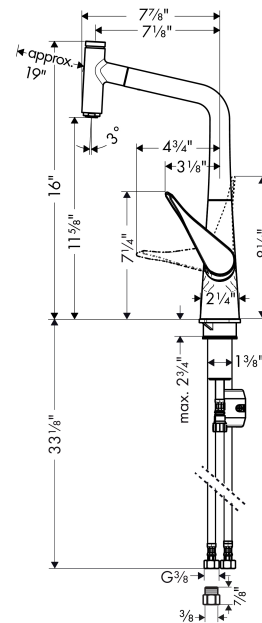
Compliance



Product image



Scale drawing

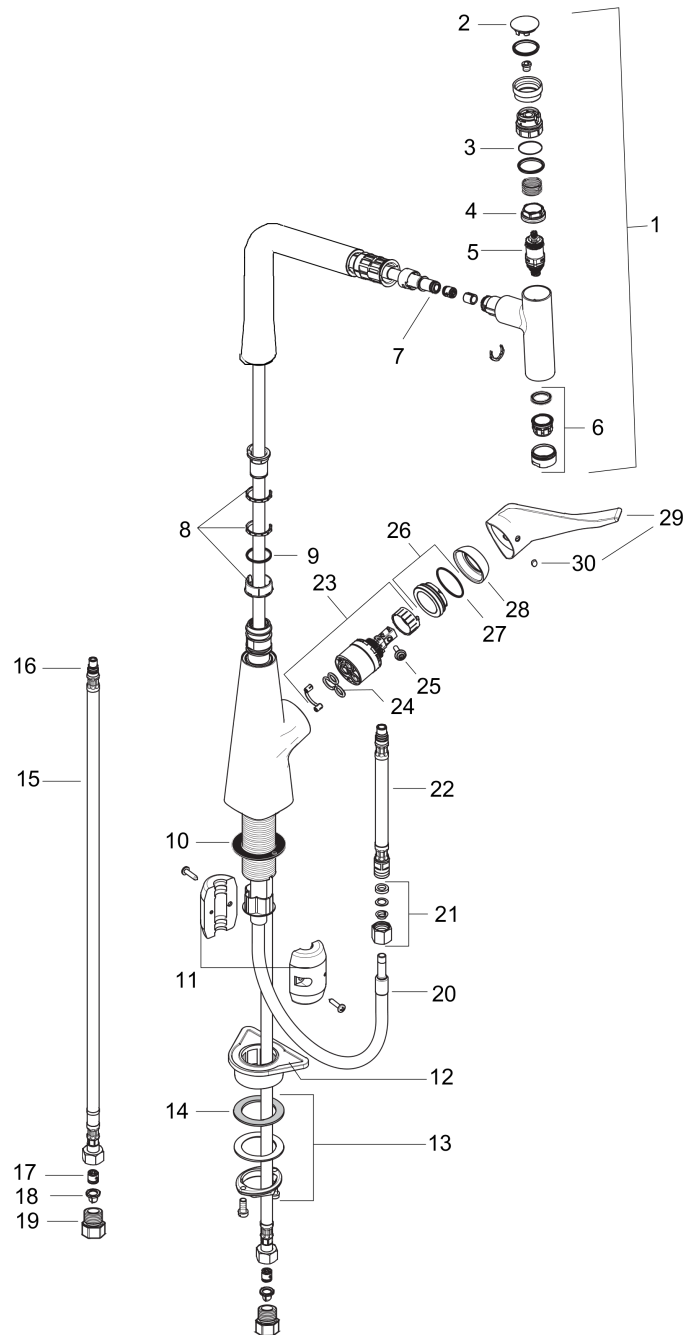


Metris Select
Prep Kitchen Faucet, 1-Spray Pull-Out, 1.75 GPM
 Finishes : **steel optic** Part no. : **14848801**



Exploded drawing

Year of production: >08/16



Metris Select

Prep Kitchen Faucet, 1-Spray Pull-Out, 1.75 GPM

Finishes : **steel optic** Part no. : **14848801**



Spare parts list

Year of production: >08/16

Pos.	Description	Part no.	PC	PU
1	handspray	92737801	0	1
2	cover	92566880	0	1
3	O-ring 19x1,5	95962000	0	1
4	nut	92567000	0	1
5	shut off unit	98463000	0	1
6	aerator M24x1	92961800	0	1
7	O-ring 8x2	98112000	0	1
8	set of lever collars	98365000	0	1
9	O-ring 21x2,5	98211000	0	1
10	seal	92582000	0	1
11	weight	92500000	0	1
12	support	97523000	0	1
13	fixing set (Ø 34)	95049000	0	1
14	lever collar	97548000	0	1
15	connection hose 900 mm M8x0,75 G3/8	95372000	0	1
16	O-ring 7x1,5	98422000	0	1
17	non return valve DW 10	96456000	0	1
18	filter packing	95291000	0	1
19	adapter for connection hose	88802000	0	1
20	hose 1,50 m	92569000	0	1
21	squeezing connection	96099000	0	1
22	connection hose 600 mm M10x1	92568000	0	1
23	cartridge, assy	92730000	0	1
24	seal	95008000	0	1
25	locking screw for handle	95140000	0	1
26	nut	97209000	0	1
27	O-Ring 32x2	98193000	0	1
28	flange	95498800	0	1
29	handle	98455800	0	1
30	screw cover	96338000	0	1