

Adventure Starts Here.

ADIRONDACK ROCKING CHAIR

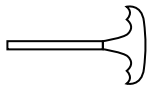
**SEAHAWK
DESIGNS**

EST. 2005

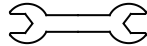
! NOTICE

- Do not overtighten hardware.
- Do not exceed the weight capacity of this item.
- Only use this item for what it is intended for, improper use will void any warranty.
- Firmly secure all bolts, screws and nuts before use.
- Reconfirm that all bolts, screws, and nuts are firmly secured every 90 days.
- Keep this furniture clear of all uncontrolled open flames or flammable/combustible materials. Exposure to fire, high heat, or embers will permanently damage the material.
- To avoid stripping and cracking of the material, DO NOT use power tools for assembly.
- Always prioritize caution and safety throughout the assembly process.

TOOLS REQUIRED



ALLEN WRENCH
(PROVIDED)



WRENCH
(PROVIDED)



330 LBS
WEIGHT
CAPACITY



SUGGESTED
2 PERSON
ASSEMBLY



ESTIMATED
ASSEMBLY
TIME: 20 MIN

1

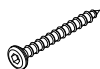
SCREW
M6 x 40mm



2 PCS

2

SCREW
M6 x 60mm



4 PCS

3

SCREW
M6 x 80mm



2 PCS

4

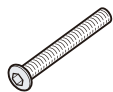
SCREW
M6 x 90mm



4 PCS

5

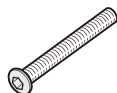
BOLT
M6 x 45mm



4 PCS

6

BOLT
M6 x 55mm



4 PCS

7

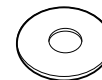
M6-NUT



8 PCS

8

M6-WASHER



8 PCS

9

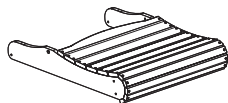
SCREW HOLE PLUG



20 PCS

A

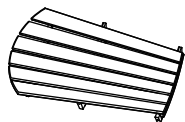
CHAIR SEAT



1 PC

B

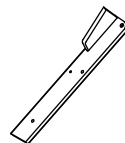
CHAIR BACKREST



1 PC

C

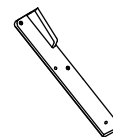
LEFT LEG



1 PC

D

RIGHT LEG



1 PC

E

LEFT ROCKING BASE



1 PC

F

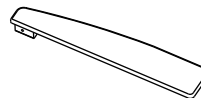
RIGHT ROCKING BASE



1 PC

G

LEFT ARM



1 PC

H

RIGHT ARM



1 PC

I

RAIL

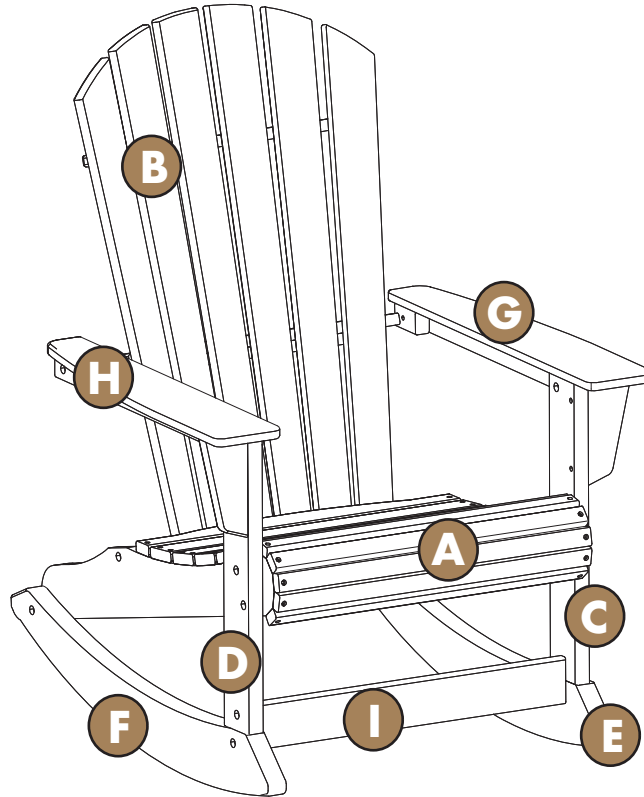


1 PC

PRODUCT ASSEMBLY - OVERALL VIEW

REF#: OP5015

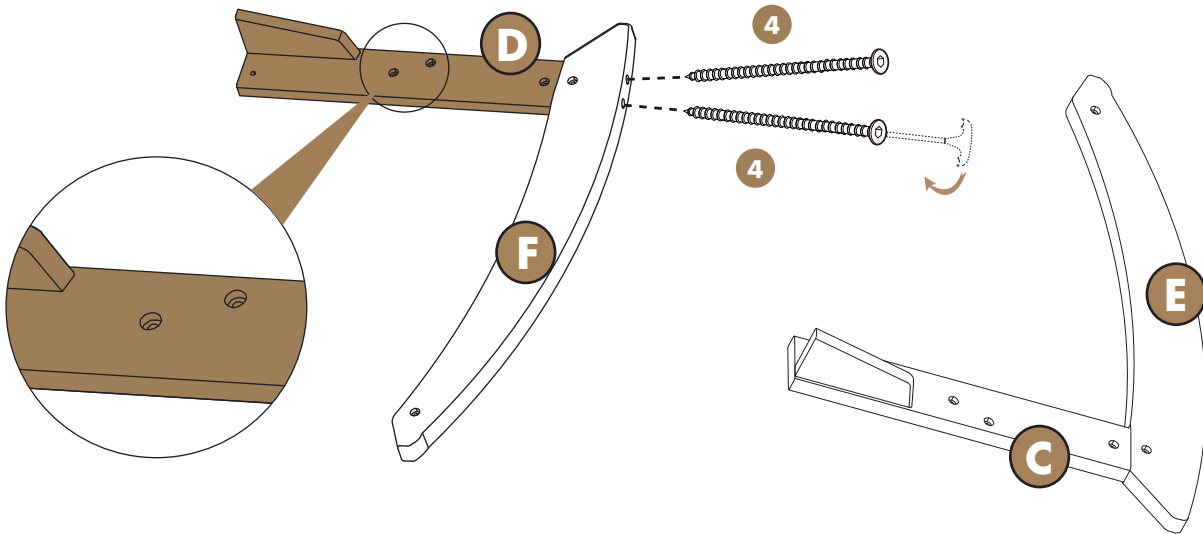
Please refer back to this image during the assembly process for part placement.



1

Step 1: Assemble the Rocking Base and the Chair Legs

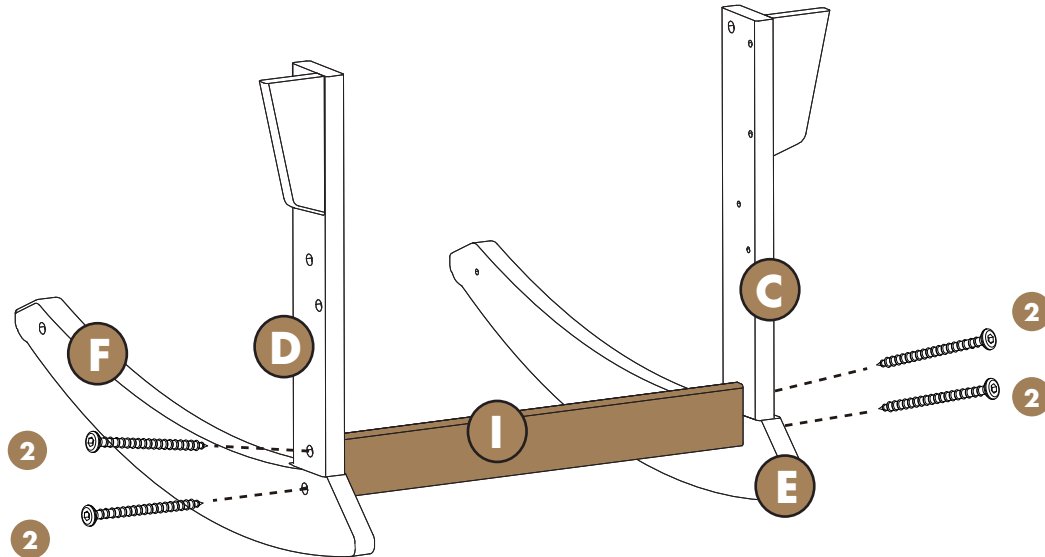
- Attach **Part D (Right Leg)** to **Part F (Right Rocking Base)** using **2 - M6 Screw (#4)** (see image below).
- Attach **Part C (Left Leg)** to **Part E (Left Rocking Base)** using **2 - M6 Screw (#4)**.
- Do not fully tighten the bolts yet. Tighten them to approximately 70% to allow for adjustments during final assembly.



2

Step 2: Attach the Rail to the Leg and the Rocking Base

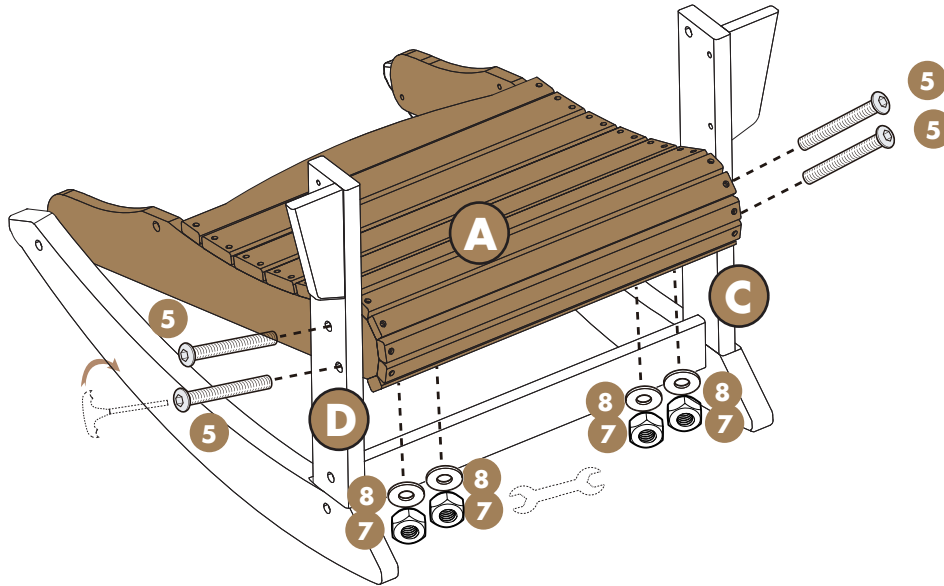
- Attach **Part I (Rail)** to **Part C (Left Leg)** and **Part E (Left Rocking Base)** using **2 - M6 Screw (#2)** (see image below).
- Attach **Part I (Rail)** to **Part D (Right Leg)** and **Part F (Right Rocking Base)** using **2 - M6 Screw (#2)** (see image below).



3

Step 3: Attach the Chair Seat to the Legs

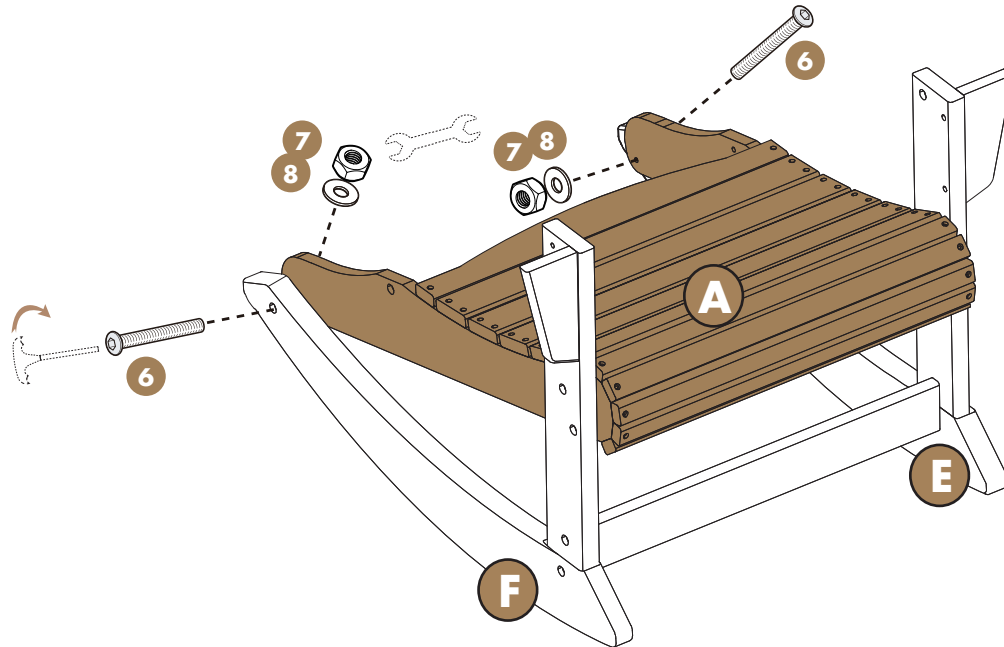
- Attach **Part A (Chair Seat)** to **Part C (Left Leg)** and **Part D (Right Leg)** using **4 - sets** of the **M6 Screw (#5)**, **M6 Washer (#8)**, and **M6 Nut (#7)** (see image below).



4

Step 4: Attach the Chair Seat to the Rocking Base

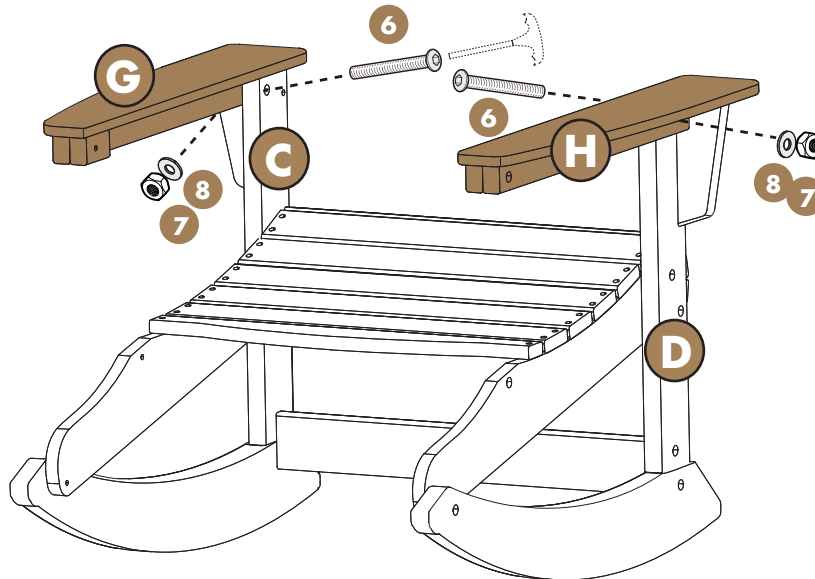
- Attach **Part A (Chair Seat)** to **Rocking Base (Part E and Part F)** using **2 - sets of the M6 Screw (#6), M6 Washer (#8), and M6 Nut (#7)** (see image below).



5

Step 5: Attach the Arms to the Chair

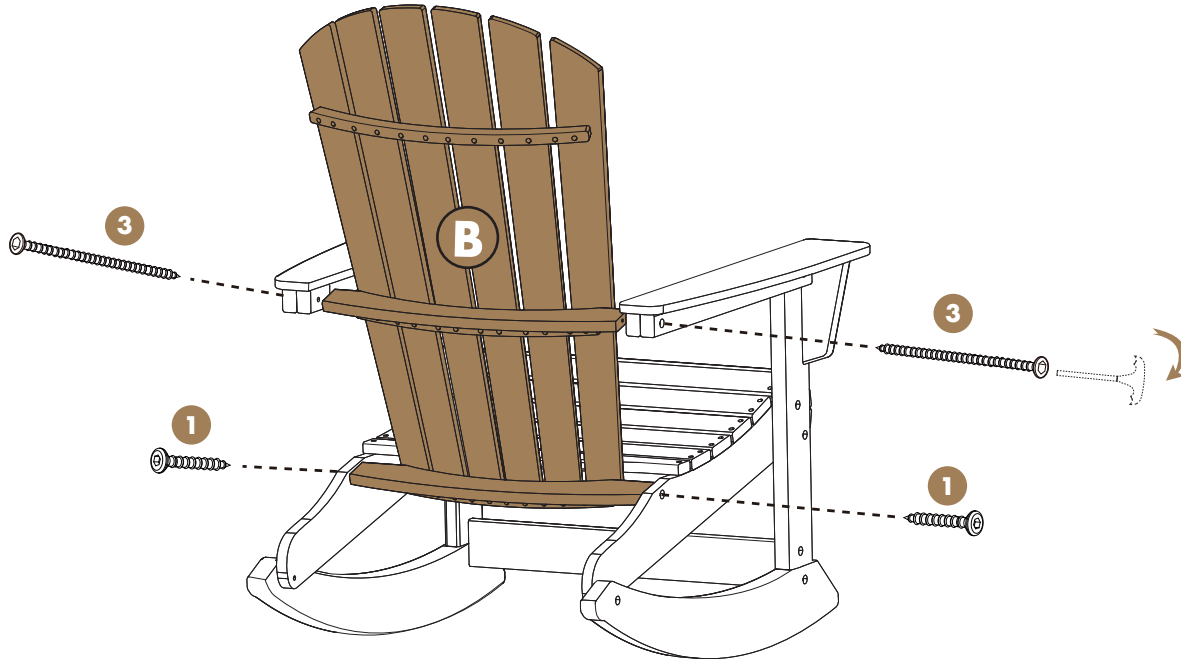
- Attach **Part G (Left Arm)** to **Part C (Left Leg)** using **1 - set** of the **M6 Bolt (#6)**, **M6 Washer (#8)**, and **M6 Nut (#7)** (see image below).
- Do the same to attach **Part H (Right Arm)** to **Part D (Right Leg)** using **1 - set** of the **M6 Bolt (#6)**, **M6 Washer (#8)**, and **M6 Nut (#7)** (see image below).



6

Step 6: Attach the Backrest to the Assembled Frame

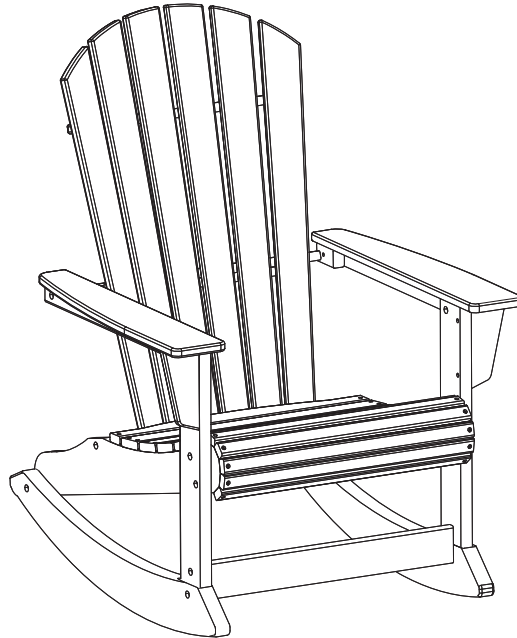
- Attach **Part B (Chair Backrest)** to the assembled frame. Use **2 - M6 Screw (#3)** and **2 - M6 Screw (#1)** to secure it (see image below).



7

Step 7: Final Tightening and Stability Check

- Tighten all previously installed screws, bolts, and nuts. Check every connection to ensure the chair is steady and stable.

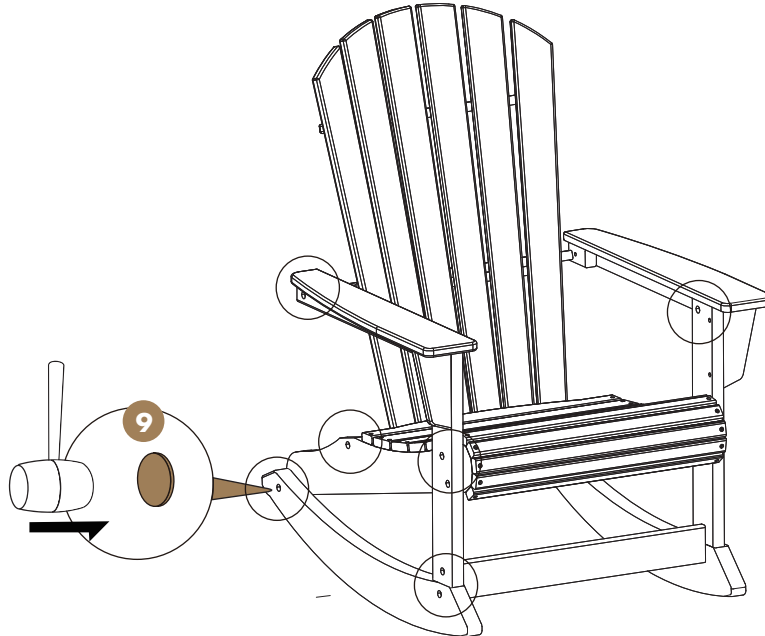


8

Step 8: Apply the Screw Hole Plugs

- Cover all exposed screw holes using **20 - Screw Hole Plug (#9)**. Insert all plugs into the exposed screw holes. Gently tap each plug into place using a rubber mallet to prevent damage. Ensure each plug is fully seated and flush with the chair surface (see image below).

ATTENTION: Do not use a metal hammer as it will damage the poly lumber.



- **REGULAR CLEAN:** Mix **warm water** and **mild soap**. Use a **soft bristle brush** to gently scrub the surface and remove any dirt or stains.
- **QUICK CLEAN:** Simply wipe the furniture down using a damp cloth.

Tip: Cleaning your furniture regularly helps maintain its aesthetic appeal and extends its lifespan.

Enjoy!

Join our community and be the first to see what's new!

Follow us on socials:



Quickly register your outdoor furniture purchase to activate your warranty and enjoy peace of mind with guaranteed product protection:



Have questions or need assistance? Reach out to our dedicated team at **(909) 284-1052** or email us at **cs@seahawkdesigns.com**.