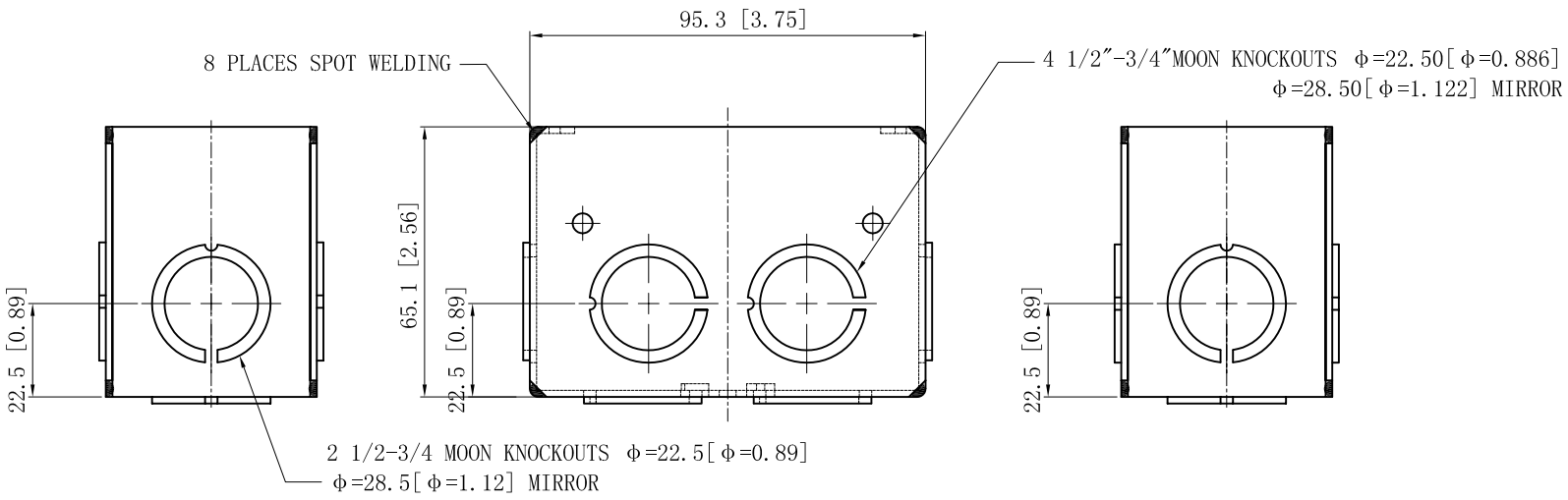
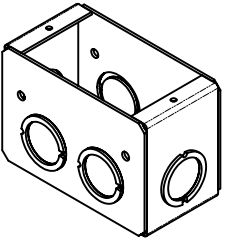
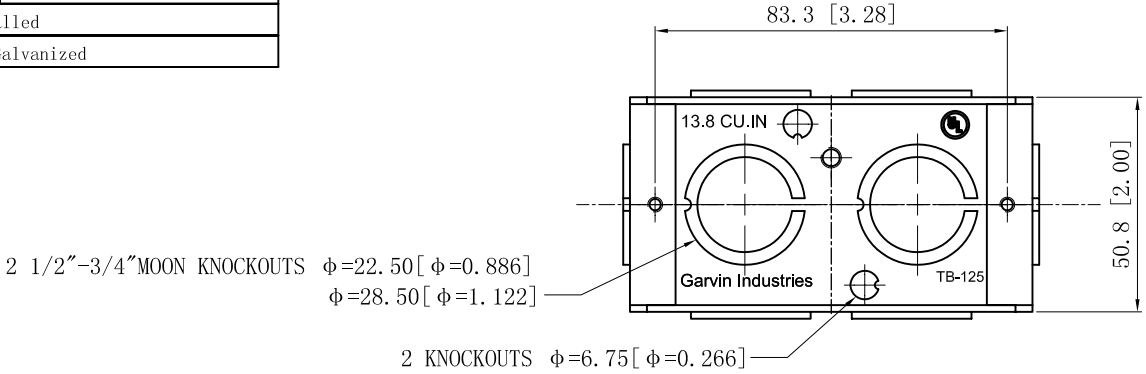


| | |
|--|----------------------------|
| SIDES | BOTTOM |
| 6 1/2"-3/4" MOON KNOCKOUTS | 2 1/2"-3/4" MOON KNOCKOUTS |
| | |
| | |
| 2 PCS 8-32x1/4 Screws Installed | |
| Material: Steel-0.0625"-G60 Galvanized | |



This data sheet is for reference only .GARVIN INDUSTRIES reserves the right to make changes to the design without prior notice.

| |
|------------------------------|
| DESCRIPTION |
| |
| TRADE REFERENCE TERMS |
| |

| |
|-------------------------|
| STANDARD PACKING |
| 20 PCS |

| | | |
|--|-------------------|----------|
| GARVIN INDUSTRIES | | |
| TITLE SOLID MASONRY BOX 2-1/2" DEEP | | |
| SIZE A4 | DWG NO. TB-125 | REV B |
| DATA SHEET | | |