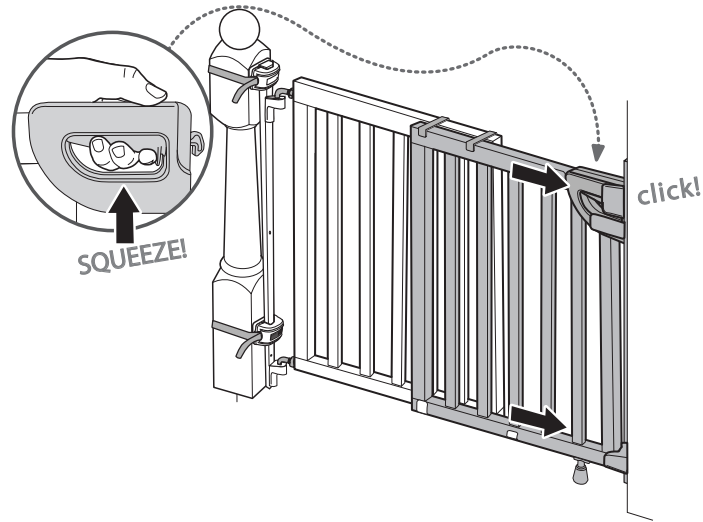
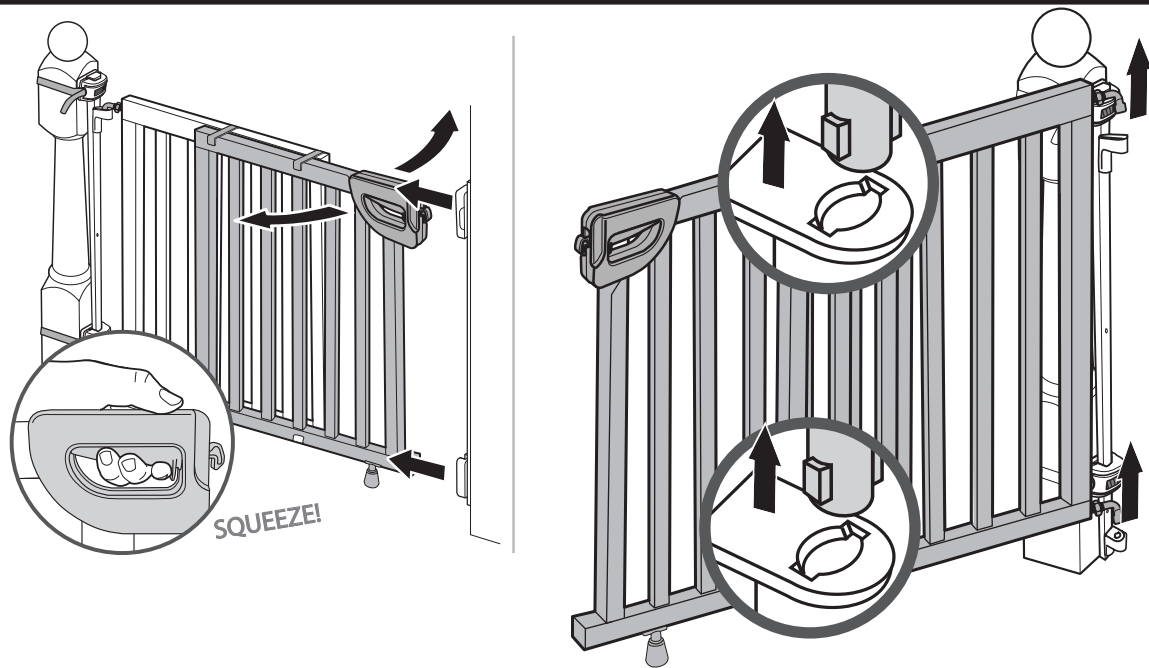


CLOSING THE GATE:



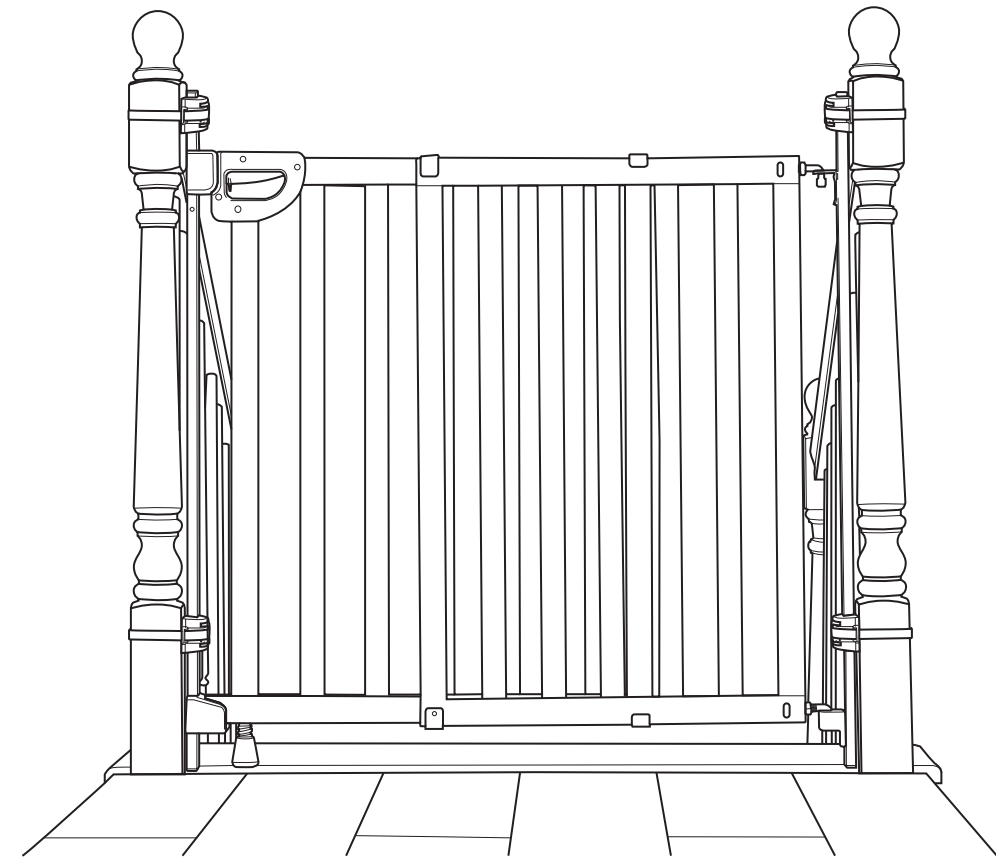
OPENING THE GATE:

REMOVING THE GATE:



**BANISTER & STAIR WOOD GATE
WITH DUAL INSTALLATION KIT**

INSTRUCTION MANUAL



⚠ WARNING

Children have died or been seriously injured when gates are not securely installed.

- **ALWAYS** install and use gate as directed, using all required parts.
- Install according to manufacturer's instructions.
- **STOP** using when a child can climb over or dislodge the gate.
- Use only with the locking/latching mechanism securely engaged.
- **NEVER** use a gate to keep child away from pool.
- **NEVER** leave child unattended.
- **ALWAYS** close and lock the gate behind you.
- This product will not necessarily prevent all accidents. Proper adult supervision is required at all times.
- Do not use if any components are missing or damaged.
- Adult assembly required.
- Exercise care when unpacking and assembling product.
- Intended for use with children from 6 months through 24 months.
- Do not mount to spindles less than 2 in. in diameter.
- Check daily that banister brackets are securely attached and gate is securely anchored to banisters and/or wall.

Please read the following instructions and warnings carefully. Keep this instruction manual and save for future reference.

For technical support contact us at **1-401-671-6551** or www.summerinfant.com/contact.

For use with children from 6 to 24 months. Adult assembly required.

Keep small parts away from children.

Summer Infant (USA), Inc.
1275 Park East Drive
Woonsocket, RI 02895 USA
1-401-671-6551

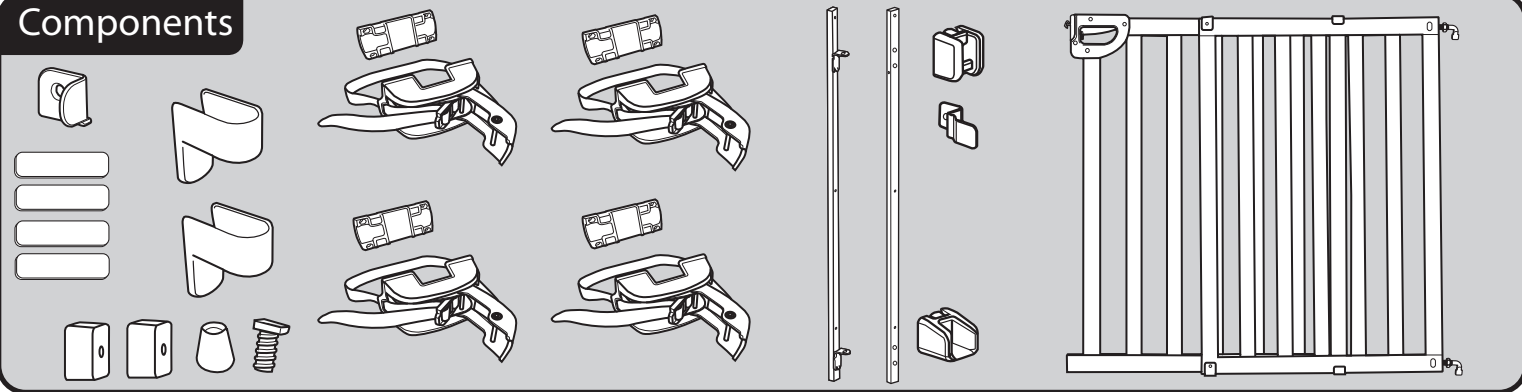
Colors and styles may vary.

MADE IN CHINA.

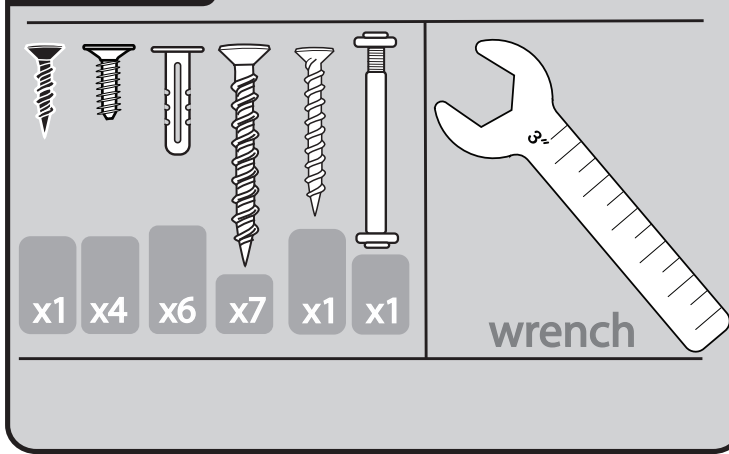
© 2020 Summer Infant (USA), Inc.

D000000823 9.20

Components



Hardware



Tools required (not included)

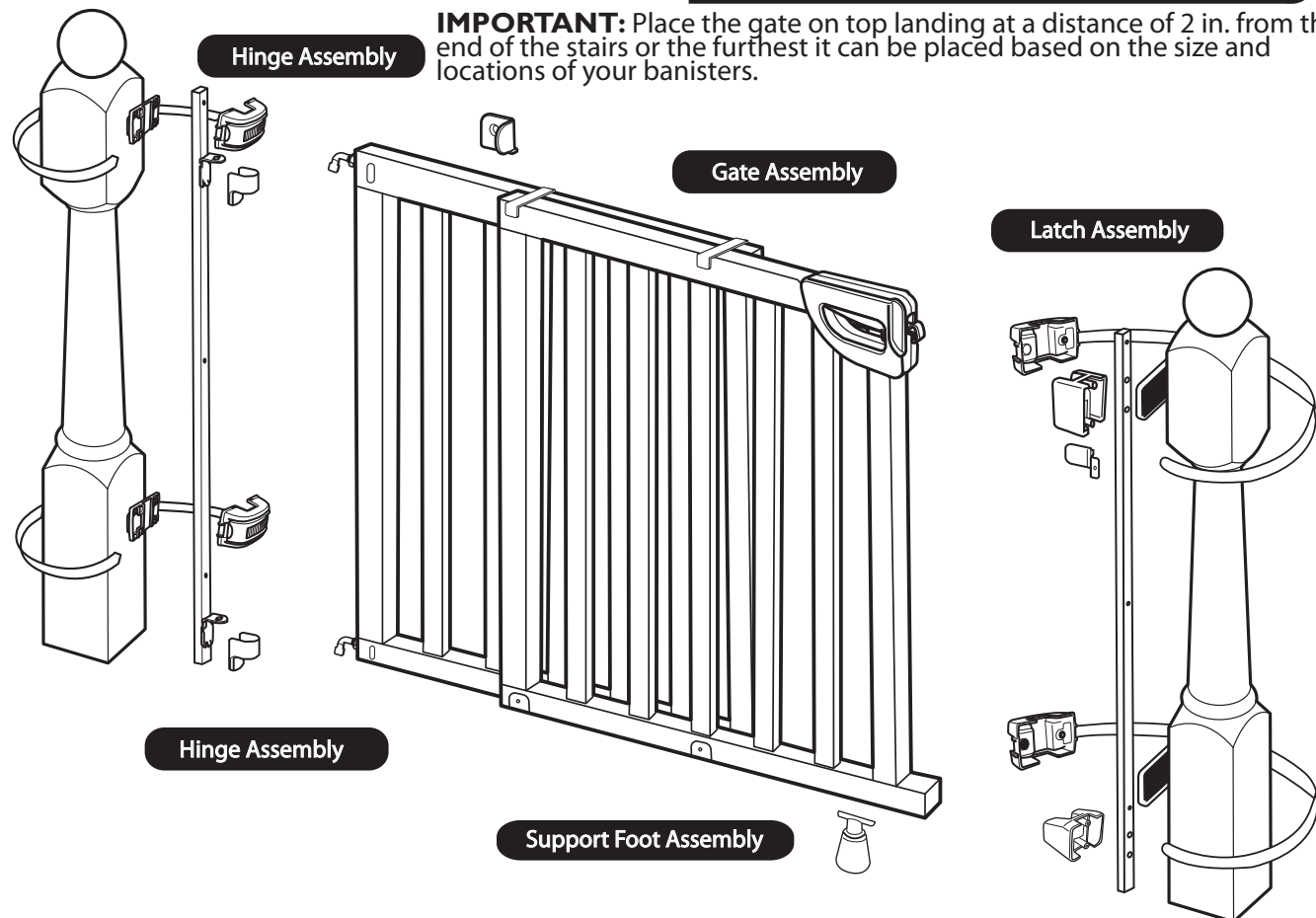
Phillips head Screwdriver
WALL MOUNT OPTION ONLY: Drill with 7/32" drill bit
WOOD MOUNT OPTION ONLY: Pre-drill with 1/8" drill bit

Maintenance

1. Regularly check bolts and hinge assembly to ensure the gate is securely in place.
2. Do not use gate if any components are damaged or missing.
3. Wipe surface with a damp cloth or sponge using mild detergent and warm water.

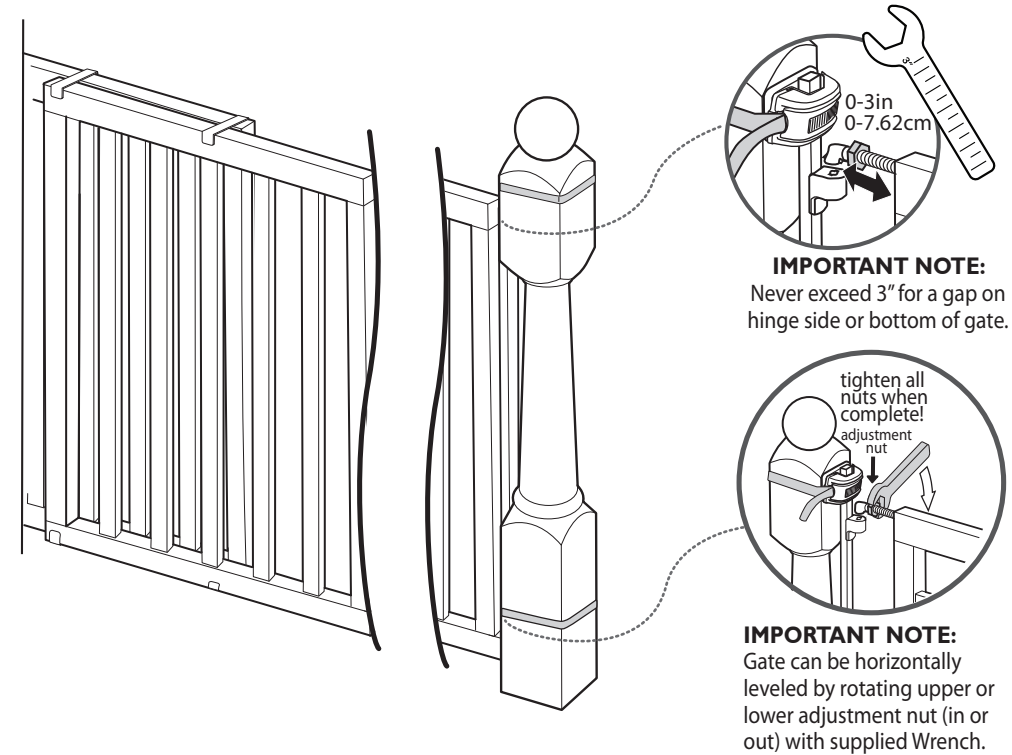
Gate fits openings 33" to 46" (84 cm to 117 cm) !

IMPORTANT: Place the gate on top landing at a distance of 2 in. from the end of the stairs or the furthest it can be placed based on the size and locations of your banisters.



3. Gate Assembly

While the gate is off the wall or banister mounts, use the wrench to tighten or loosen the bolt to extend the gate to reach the latch.
 Depending on your wall you may need to adjust the top and bottom bolts to make sure the gate is aligned properly and reaches the latch assembly.



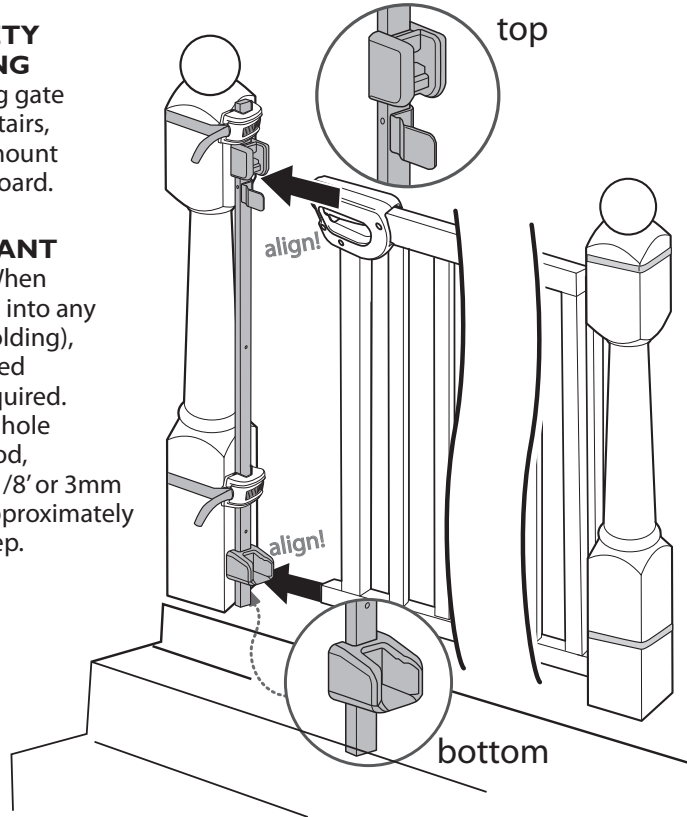
Door Assembly

SAFETY WARNING

If installing gate at top of stairs, DO NOT mount into wallboard.

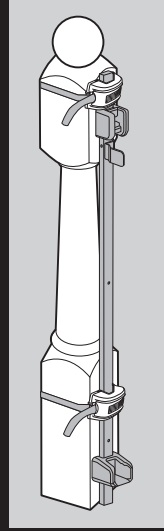
IMPORTANT NOTE:

When mounting into any wood (molding), a pre-drilled hole is required. Pre-drill a hole in the wood, using an 1/8" or 3mm drill bit approximately 1 inch deep.



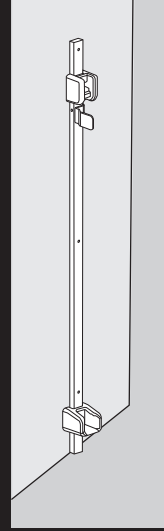
Latch Assembly is identical to Hinge Assembly. Choose which of the two options best fits your needs.

Square Top Banister



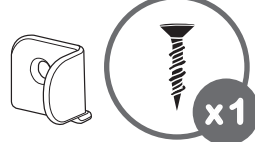
Repeat Assembly Option A

Wall Mounted



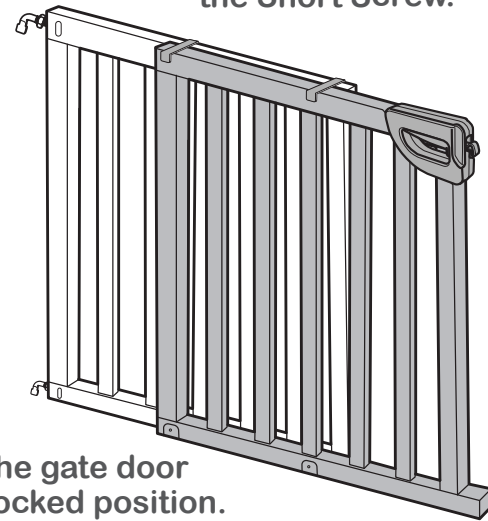
Repeat Assembly Option B

Door Stopper

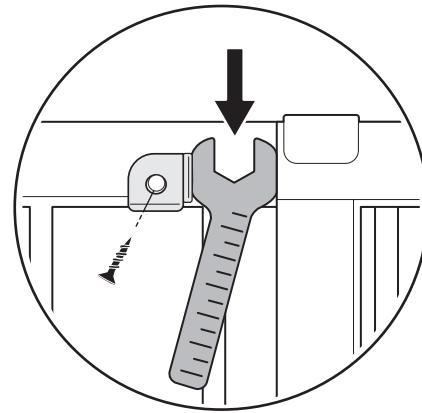


IMPORTANT: Be sure to install the door stopper when using at the top of stairs!

Mount the Door Stopper to the top of the gate, with the Short Screw.



Close the gate door to the locked position.



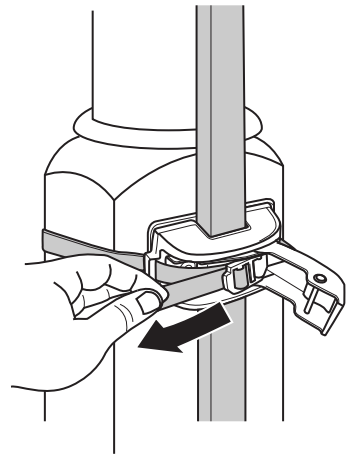
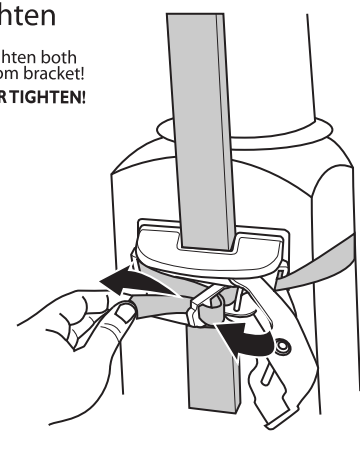
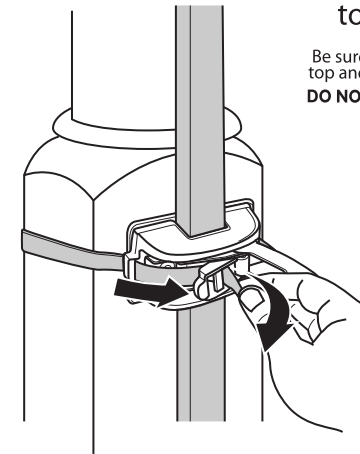
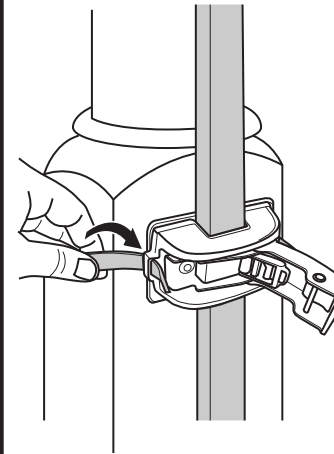
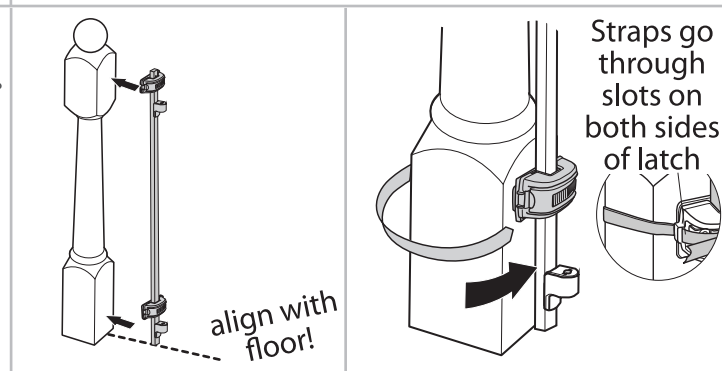
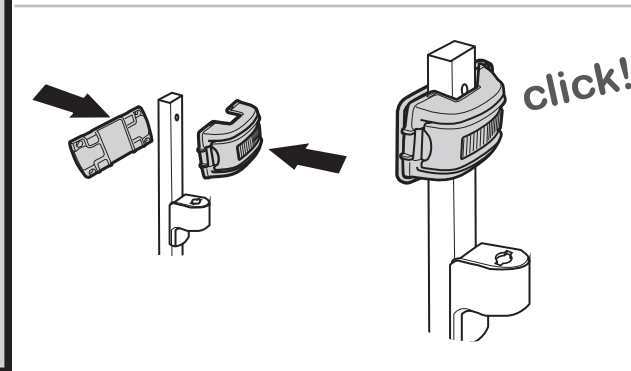
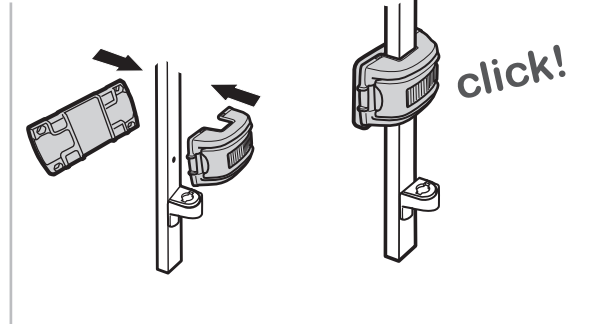
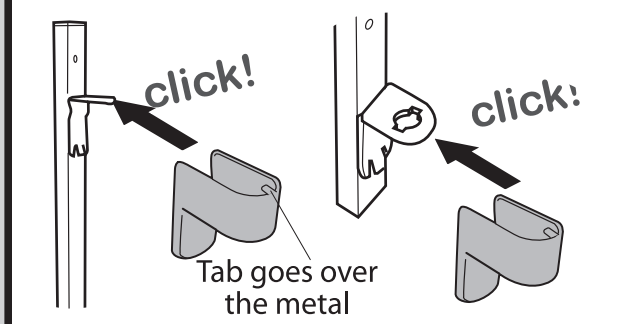
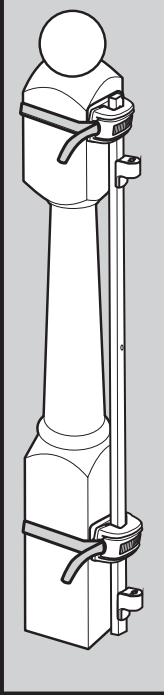
Use the width of the Wrench provided to determine where to mount the Door Stopper on the top of the gate door.

1. Hinge Assembly

CHOOSE WHICH OF THE TWO OPTIONS WITHIN THE HINGE ASSEMBLY SECTION BEST FITS YOUR NEEDS.

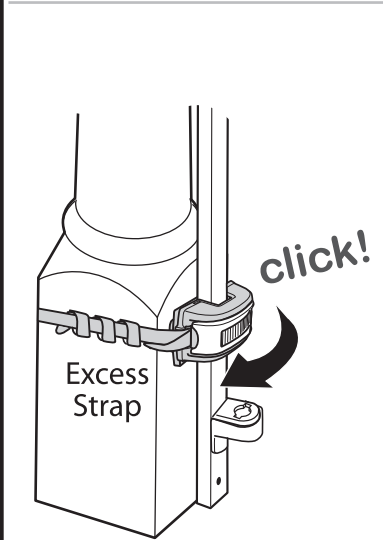
Option A:

Square Top Banister (No drilling necessary)



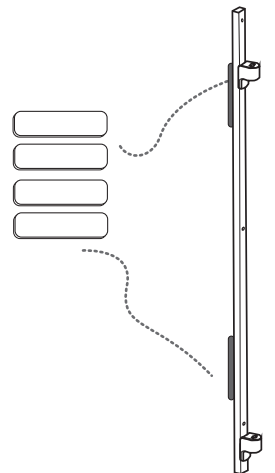
to tighten

Be sure to tighten both top and bottom bracket!
DO NOT OVERTIGHTEN!



IMPORTANT NOTE: There are extra mounting pads provided to stick to the metal hinge assembly in order to protect the wood of your banister. Peel and stick the back of the metal hinge assembly before assembling onto the banister.

The pad is intended to help position the metal hinge bracket so that it is on a flat surface.



1. Hinge Assembly

Option B:

Wall Mount

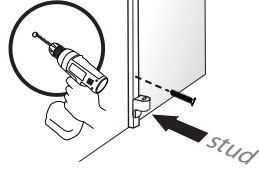
wood wall !

or

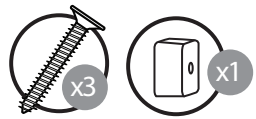
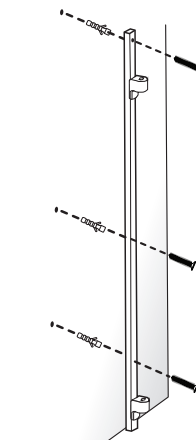
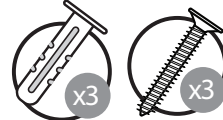
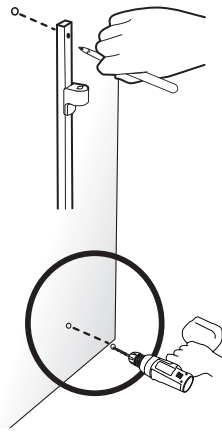
wallboard !



Pre-drill a hole using a 1/8" or 3mm.



Pre drill holes using 7/32" (5.5mm) drill bit. Use pre-existing holes in your banister bracket as your guide. Insert Wall Anchors into the hole with a hammer, tap gently on end until the Wall Anchor is flush with the wall.



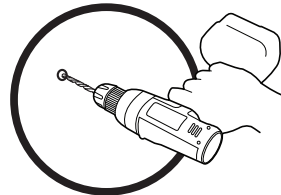
wood wall with baseboard !

or

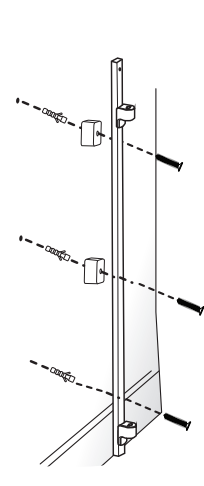
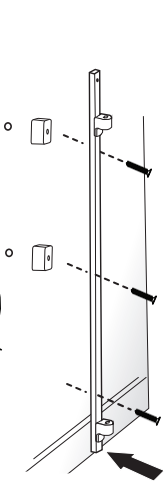
wallboard with baseboard !



IMPORTANT: If baseboard exists, use spacer. If there is no baseboard, attach to wall directly.

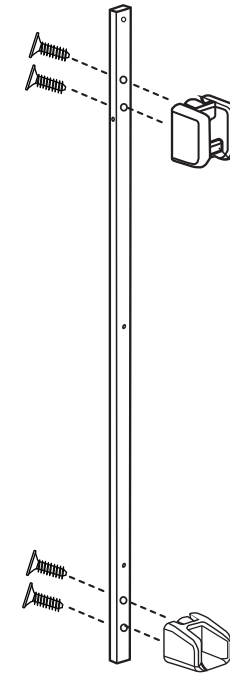
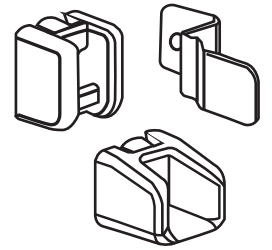
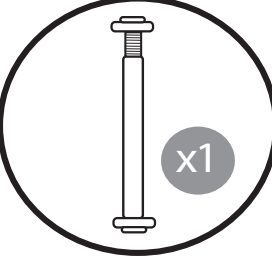
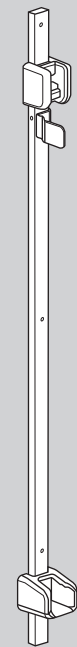


Pre-drill a hole using a 1/8" or 3mm.

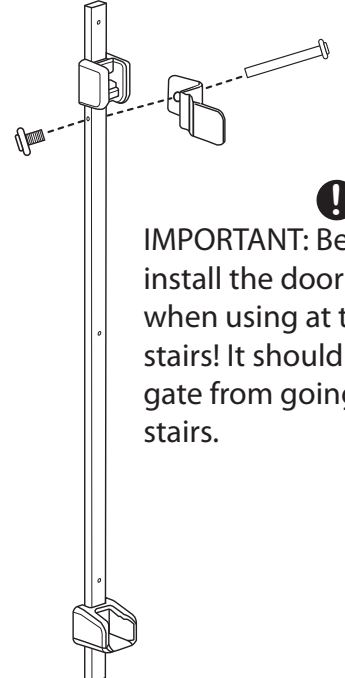


IMPORTANT: If baseboard exists, use spacer. If there is no baseboard, attach to wall directly.

2. Latch Assembly

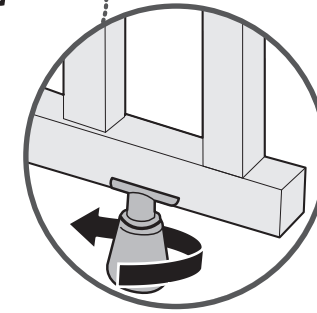
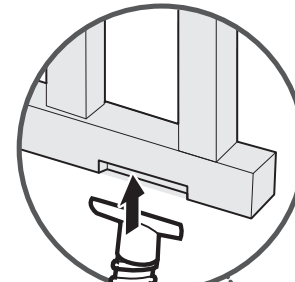


To allow gate to latch, hook is on bottom when installed.



IMPORTANT: Be sure to install the door stopper when using at the top of stairs! It should stop the gate from going over the stairs.

Support Foot Assembly:



IMPORTANT NOTE: Adjust foot to be just touching floor when gate is locked closed.

