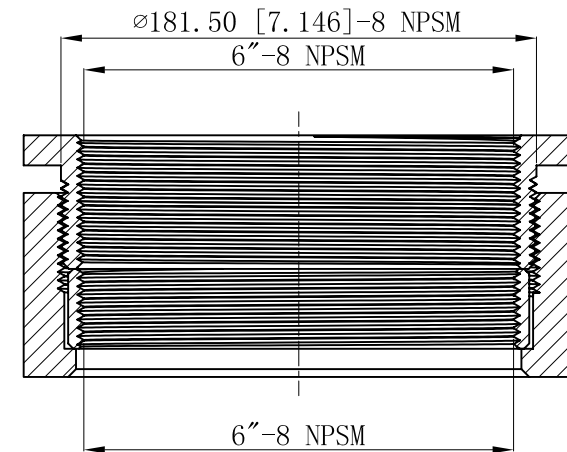
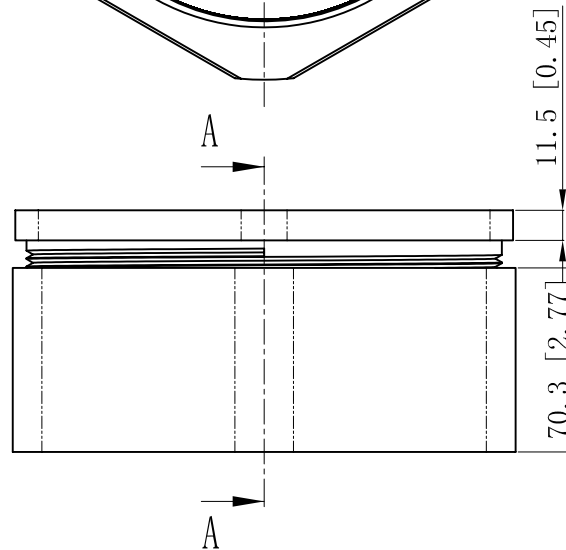
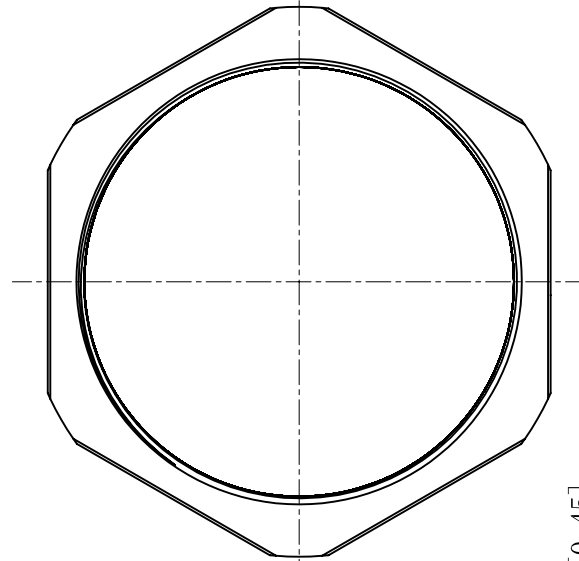
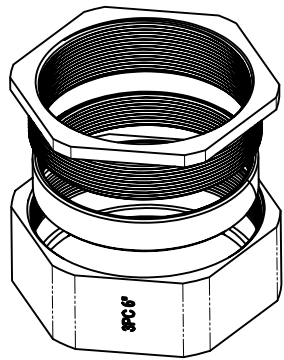


SIDES

BOTTOM

Material:malleable casting,Finish:Zinc plated



CUTAWAY VIEW A-A

This data sheet is for reference only .GARVIN INDUSTRIES reserves the right to make changes to the design without prior notice.

DESCRIPTION

TRADE REFERENCE TERMS

STANDARD PACKING

1 PCS

GARVIN INDUSTRIES

THREE-PIECE COUPLING

TITLE

SIZE A4

DWG NO.

3PC600

REV

DATA SHEET