



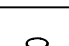






Thank you for purchasing this quality product. Be sure to unpack carefully looking for small parts which may have come loose during shipment.

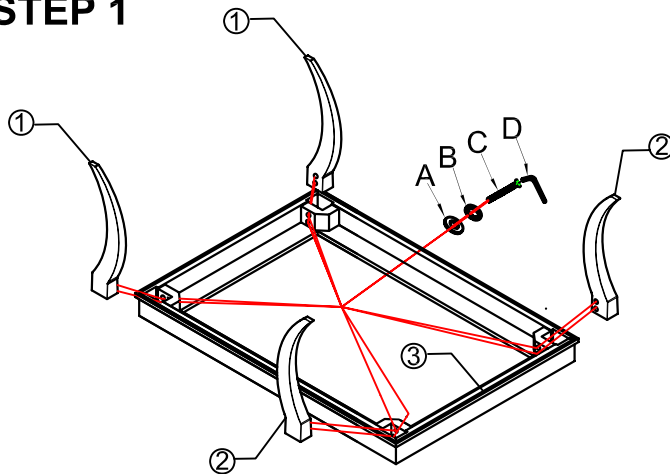
Read all instruction and study the drawing carefully before starting the assembly process.

HARDWARE PACK				
NO.	DRAWING	DESCRIPTION	SIZE	Q'TY
A		Flat Washer	Ø5/16"	8 PCS
B		Lock Washer	Ø5/16"	8 PCS
C		Bolt	Ø5/16"	8 PCS
D		Allen Wrench	73mm	1 PC
E		Rubber Pad		10 PCS

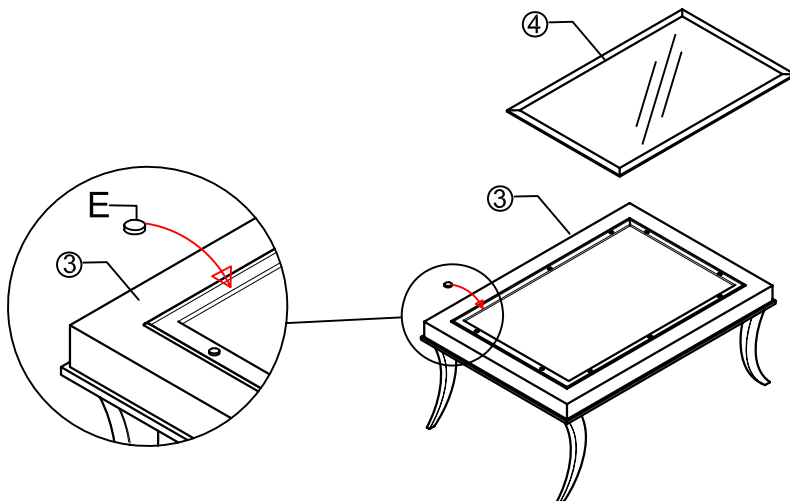
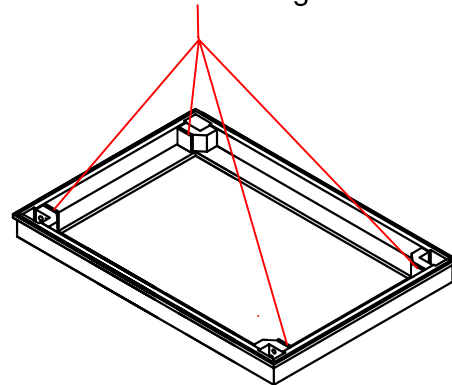
PARTS LIST			
NO.	DRAWING	DESCRIPTION	Q'TY
①		Right Leg	2 PCS
②		Left Leg	2 PCS
③		Table Top	1 PC
④		Tempered Glass	1 PC

Note: Please follow numbers on legs and corner blocks when assembling legs to the table.

STEP 1



Removable wooden panel with velcro to hide bolts from legs.



STEP 2

Place rubber pads(E) on top as shown in diagram, then place tempered glass(4) on the table top.