

Instruction / Installation Sheet

15" Enclosure with Screw Cover

Part # 80-1500-SC

DATA COMM™
ELECTRONICS

Parts Needed (Sold Separately):

- Screw Cover with Four (4) Screws (Part #: 80-1500-SC-5)
- 15" Enclosure (Part #: 80-1500-5-STACK)

Tools Needed:

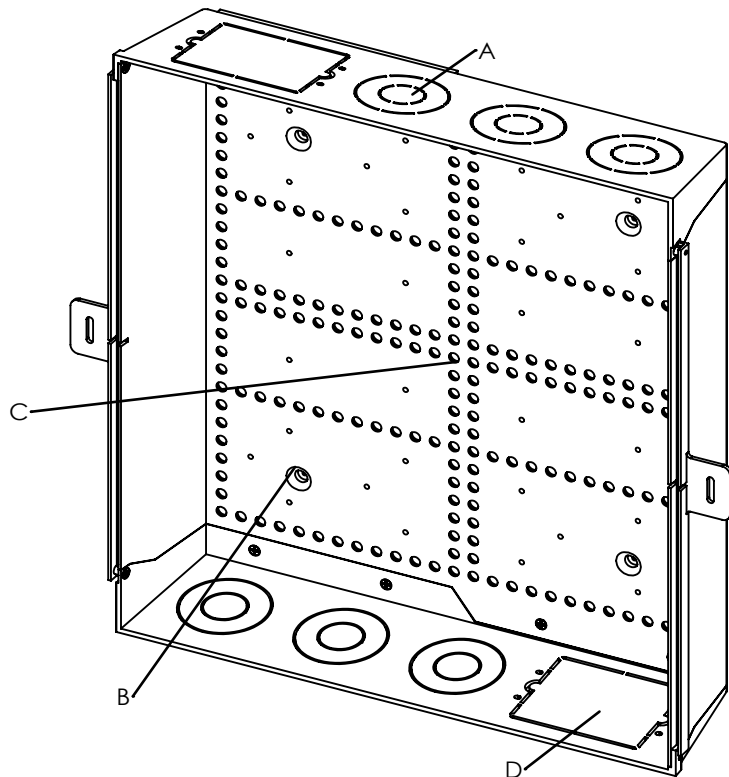
- Flat Blade and Phillips Head Screwdriver
- Drill is optional
- Utility Knife
- Two (2) Metal Wood Screws

DataComm Electronics, Inc.
6349 Peachtree Street
Norcross, GA 30071-1725
888.223.7977
770.662.8205

www.DataCommElectronics.com

Feature Identification:

- A) Knock-outs for standard sized conduit.
- B) Surface Mounting Holes: use these holes when mounting the enclosure in a surface mounting environment.
- C) Industry Standard mounting holes for phone and video modules made by DataComm Electronics and other major manufacturers.
- D) Knock-out for metal outlet or J-Box (must have UL and/or ETL approval).



Installation Instructions:

1. Location Selection

Use pre-existing location or find a central location for the enclosure so as to allow equal lengths of wire to be run to locations throughout the home. The location of the enclosure should be in a position where the surrounding temperatures do not exceed 122° F (50° C) or go below 32° F (0° C). Exposure to high humidity levels should be avoided to prevent condensation in the panel. Locate the panel in close proximity to a 110VAC for power requirements of amplifier or security panels. There is an outlet knockout in the bottom of the panel for the installation of an UL and/or ETL approved outlet or J-Box.

NOTE: Have a licensed electrician install the outlet to meet current code requirements.

NOTE: There is no fire rating on this panel, therefore, it should not be installed in fire rated walls.

2. Mounting the Enclosure

- For flush mounting, mount the enclosure on a stud using Metal Wood Screws (allow for thickness of the drywall).
- For surface mounting, screw the enclosure to the wall using Metal Wood Screws. Slots are provided in the four (4) recessed holes in the back of the enclosure for easy surface mounting.

NOTE: If surface mounting, the cover will not secure to the box.

3. Cabling Rough-In

For data, network or other low voltage applications, install appropriate cables from each location leaving enough overage on each end to allow easy installation and mark all cable ends with necessary information. Each cable run should comply with all codes. Good wiring practices should be followed at all times.

4. Duplex Receptacle Knock-Out (sold separately)

- Remove knockout in bottom of the panel.
- Install UL and/or ETL approved receptacle box.
- Run proper wires (according to code) to the receptacle box.
- Install UL and/or ETL approved receptacle rated 125 VAC.
- Install receptacle cover.
- Insure that all work in done by a licensed electrical contractor.

5. Install Screw Cover

To complete the installation place the Screw-on Cover onto the enclosure. Align the screw holes in the Screw Cover with the mounting holes in the enclosure. Use the included four (4) screws to screw it into place. Use caution not to over tighten the screws, doing so may cause deformation of the Screw Cover.

CAUTION:

- **Never install low voltage wiring during lightning storms.**
- **Never install low voltage wiring in wet locations unless the wire is specifically designed for wet locations.**
- **Never touch un-insulated low voltage wires or terminals unless the wire has been disconnected at its source.**
- **Do not use this product near water. For example: near a bath tub, wash bowl, kitchen sink, laundry tub, in a wet basement or near a swimming pool.**
- **Consult and comply with local building and electrical codes, before and during installation of any equipment.**
- **Never push objects of any kind into this product through cabinet slots as they may touch dangerous voltages.**
- **Use caution when installing low voltage cables.**
- **Read and understand all instructions.**
- **Save these Instructions.**

NOTE: The 15" Plastic Enclosure with Screw Cover is a distribution panel for low voltage wiring systems. It is not designed to be used as an AC power distribution panel. Use only Class 2 powered or passive devices.



ETL LISTED. CONFORMS TO UL STD 1863 ANSI/UL STD 60950-1 CERTIFIED TO CAN/CSA STD C22.2 NO 60950-1

Instruction / Installation Sheet

30" Enclosure with Screw Cover

Part # 80-1530-HC

DATA COMM™
ELECTRONICS

Parts Needed (Sold Separately):

- Hinge Door with Four (4) Screws (Part #: 80-1530-HC-5)
- 30" Enclosure (Part #: 80-1530-5-STACK)

Tools Needed:

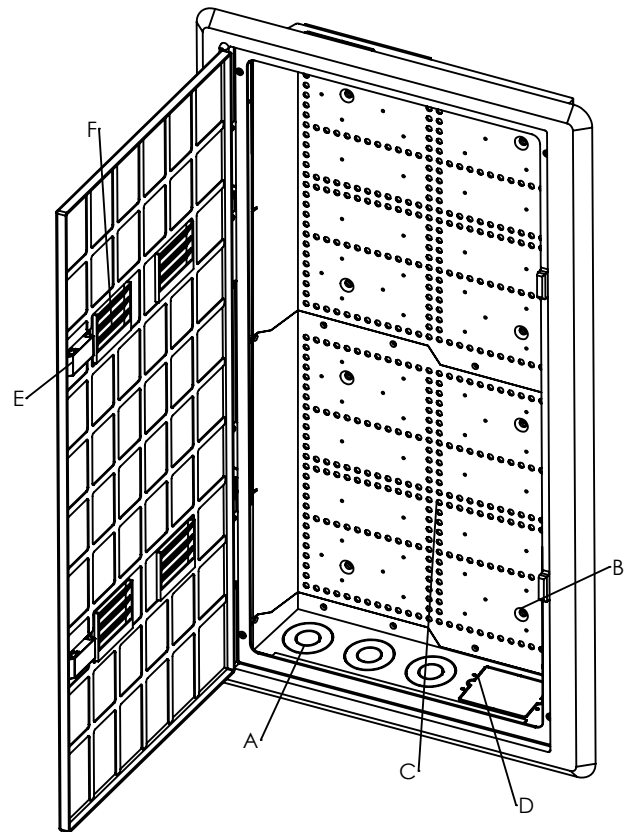
- Flat Blade and Phillips Head Screwdriver
- Drill is optional
- Utility Knife
- Four (4) Metal Wood Screws

DataComm Electronics, Inc.
6349 Peachtree Street
Norcross, GA 30071-1725
888.223.7977
770.662.8205

www.DataCommElectronics.com

Feature Identification:

- A) Knock-outs for standard sized conduit.
- B) Surface Mounting Holes: use these holes when mounting the enclosure in a surface mounting environment.
- C) Industry Standard mounting holes for phone and video modules made by DataComm Electronics and other major manufacturers.
- D) Knock-out for metal outlet or J-Box (must have UL and/or ETL approval).
- E) Latches used for keeping the hinge door closed
- F) Vents to allow air to flow in and out of the enclosure to prevent overheating.



Installation Instructions:

1. Location Selection

Use pre-existing location or find a central location for the enclosure so as to allow equal lengths of wire to be run to locations throughout the home. The location of the enclosure should be in a position where the surrounding temperatures do not exceed 122° F (50° C) or go below 32° F (0° C). Exposure to high humidity levels should be avoided to prevent condensation in the panel. Locate the panel in close proximity to a 110VAC for power requirements of amplifier or security panels. There is an outlet knockout in the bottom of the panel for the installation of an UL and/or ETL approved outlet or J-Box.

NOTE: Have a licensed electrician install the outlet to meet current code requirements.

NOTE: There is no fire rating on this panel, therefore, it should not be installed in fire rated walls.

2. Mounting the Enclosure

- For flush mounting, mount the enclosure on a stud using Metal Wood Screws (allow for thickness of the drywall).
- For surface mounting, screw the enclosure to the wall using Metal Wood Screws. Slots are provided in the eight (8) recessed holes in the back of the enclosure for easy surface mounting.

NOTE: If surface mounting, the included hinge door will not attach to the box.

3. Cabling Rough-In

For data, network or other low voltage applications, install appropriate cables from each location leaving enough overage on each end to allow easy installation and mark all cable ends with necessary information. Each cable run should comply with all codes. Good wiring practices should be followed at all times.

4. Duplex Receptacle Knock-Out (sold separately, Part #: 80-0050)

- Remove knockout in bottom of the panel.
- Install UL and/or ETL approved receptacle box.
- Run proper wires (according to code) to the receptacle box.
- Install UL and/or ETL approved receptacle rated 125 VAC.
- Install receptacle cover.
- Insure that all work is done by a licensed electrical contractor.

5. Install Hinge Cover

To complete the installation, place the Hinge Door onto the enclosure. Align the hinge cover on the enclosure. Use the included four (4) screws to screw the cover to the wall studs. Use caution not to over tighten the screws, doing so may cause deformation of the hinge door.

CAUTION:

- **Never install low voltage wiring during lightning storms.**
- **Never install low voltage wiring in wet locations unless the wire is specifically designed for wet locations.**
- **Never touch un-insulated low voltage wires or terminals unless the wire has been disconnected at its source.**
- **Do not use this product near water. For example: near a bath tub, wash bowl, kitchen sink, laundry tub, in a wet basement or near a swimming pool.**
- **Consult and comply with local building and electrical codes, before and during installation of any equipment.**
- **Never push objects of any kind into this product through cabinet slots as they may touch dangerous voltages.**
- **Use caution when installing low voltage cables.**
- **Read and understand all instructions.**
- **Save these Instructions.**

NOTE: The 30" Plastic Enclosure with Hinge Cover is a distribution panel for low voltage wiring systems. It is not designed to be used as an AC power distribution panel. Use only Class 2 powered or passive devices.



ETL LISTED. CONFORMS TO UL STD 1863 ANSI/UL STD 60950-1 CERTIFIED TO CAN/CSA STD C22.2 NO 60950-1